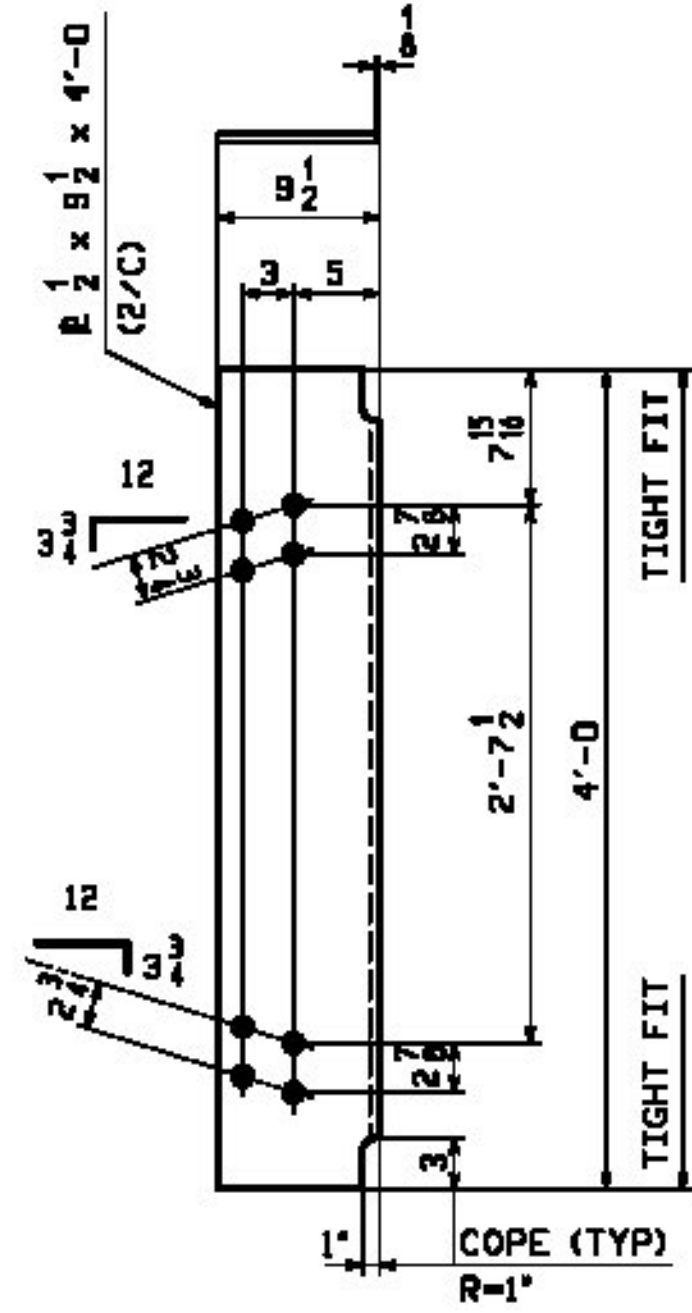
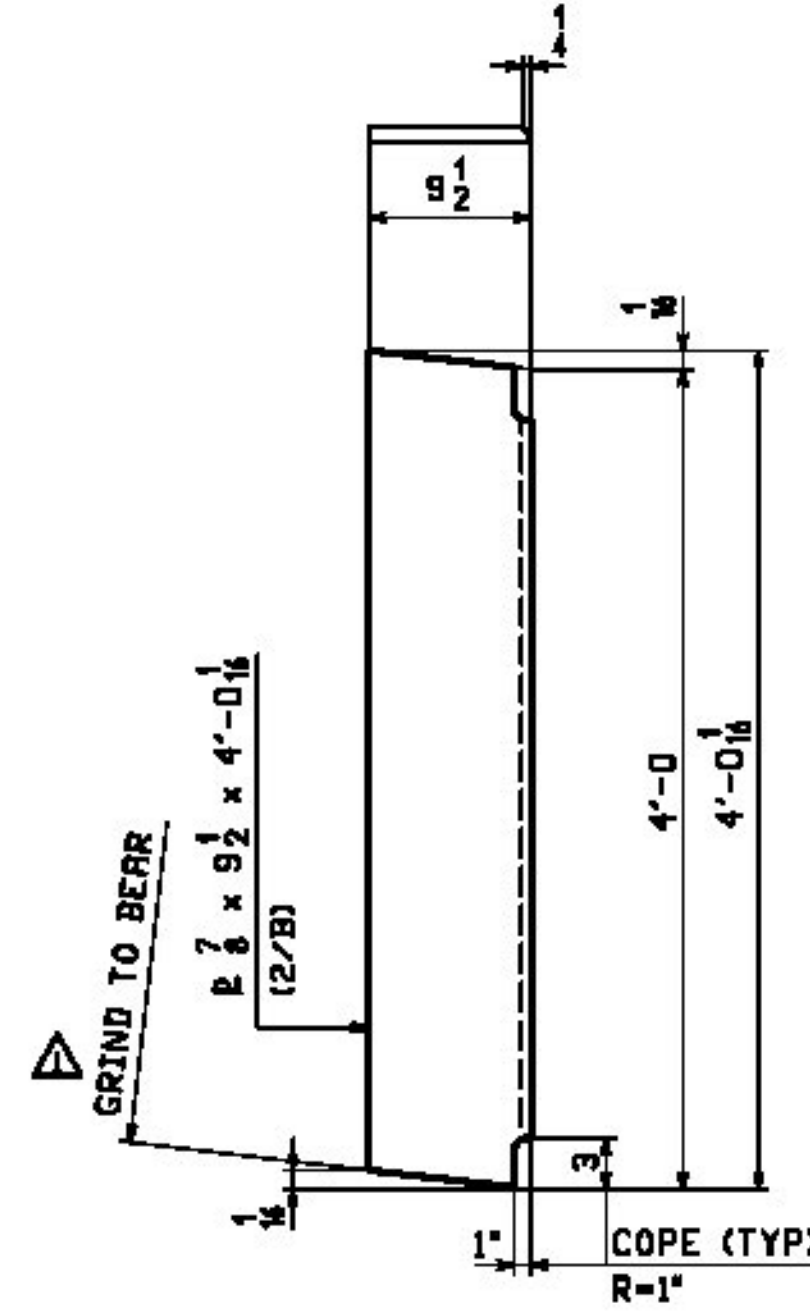


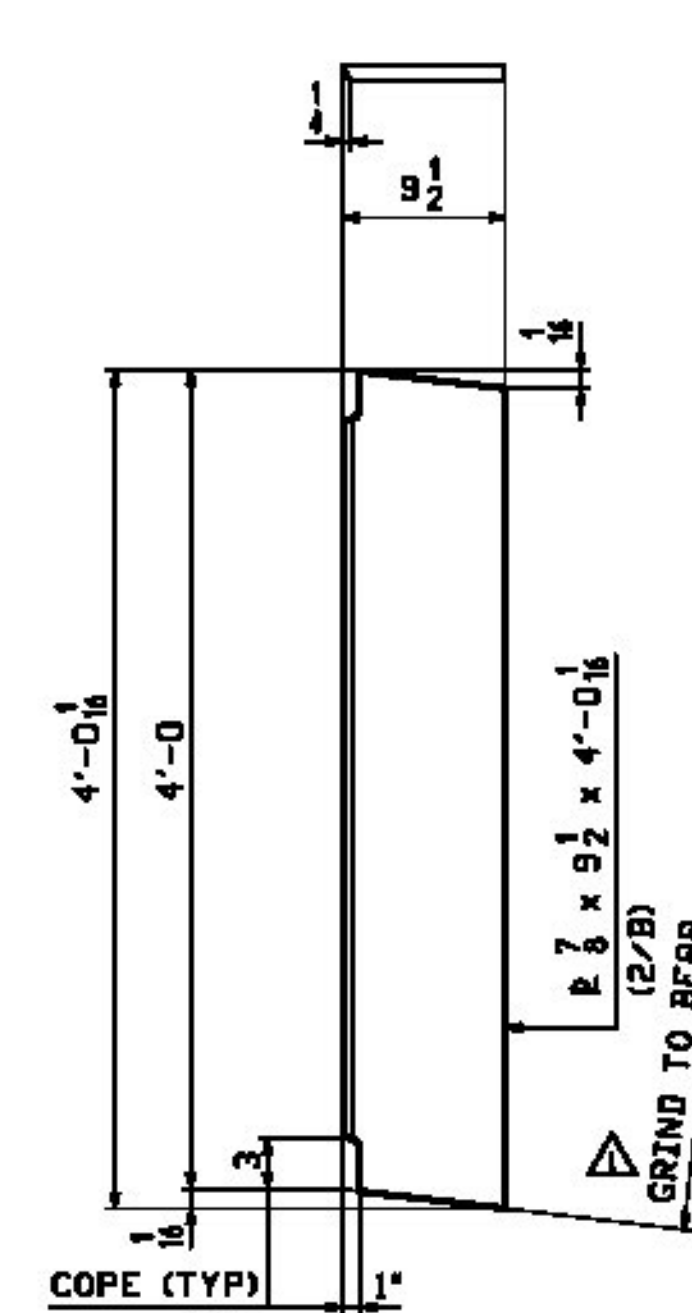
24 ~ CF CONN STIFF ~ x1a
(LOW SIDE)



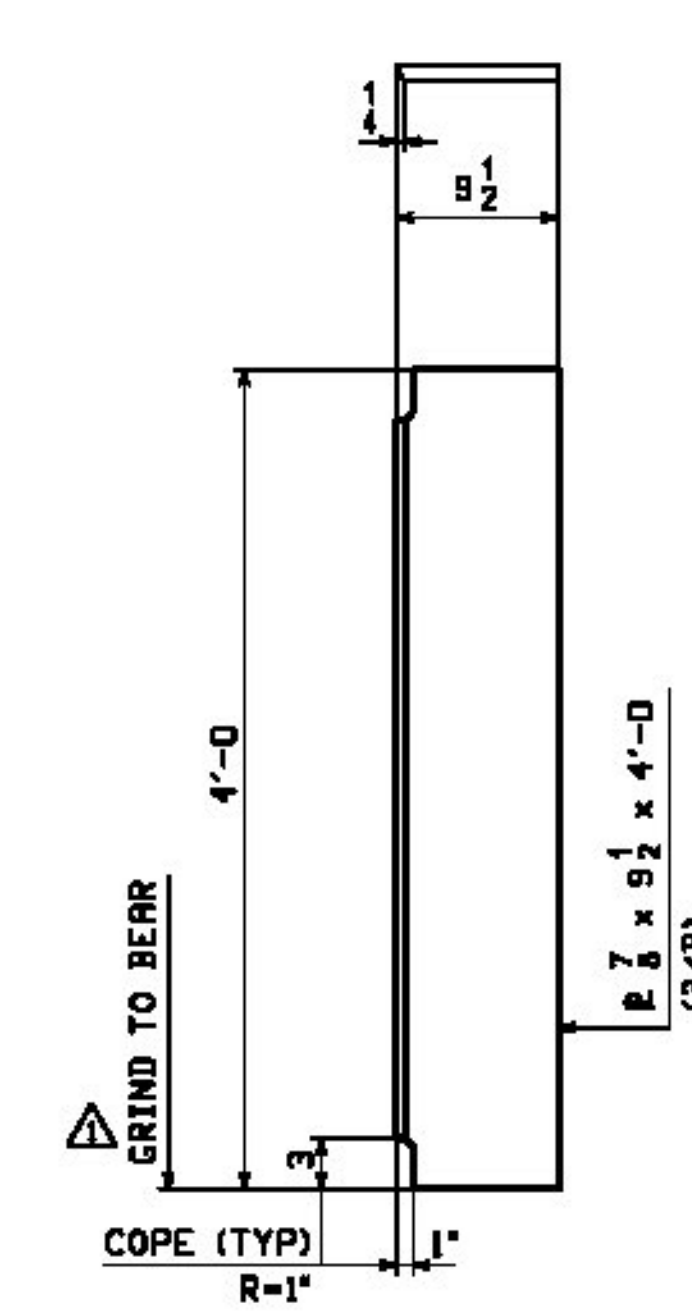
24 ~ CF CONN STIFF ~ x1b
(HIGH SIDE)



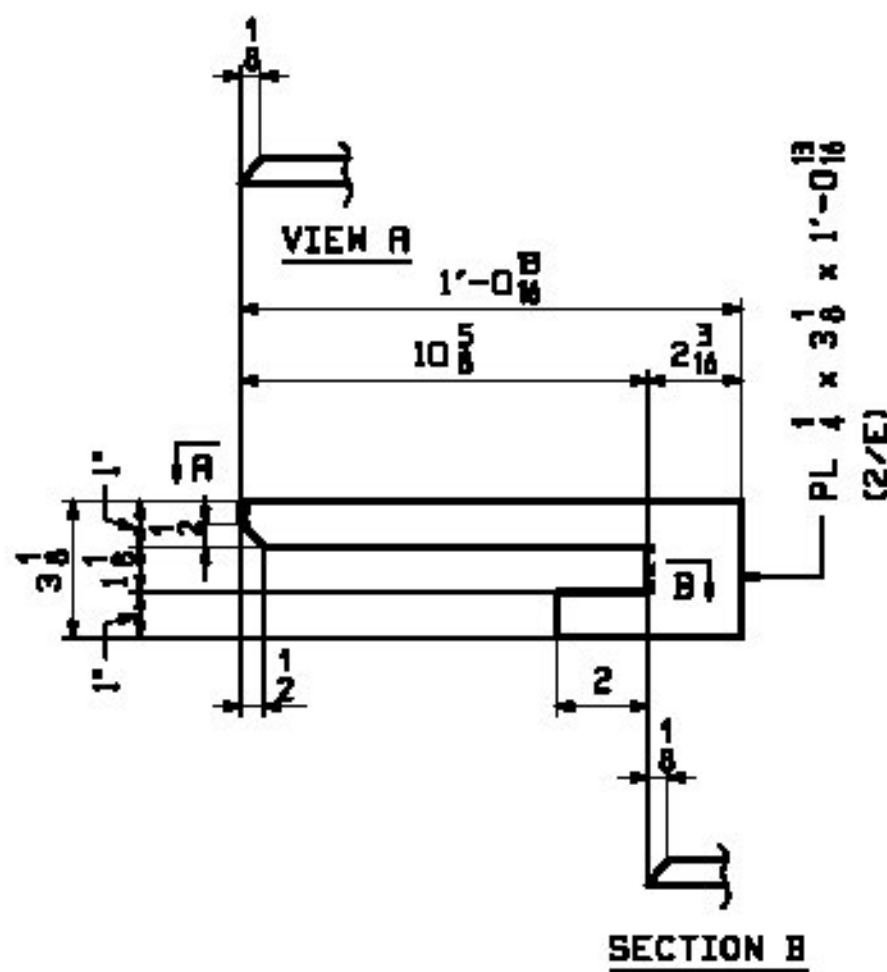
5 ~ BRG STIFF ~ x1c
(NS @ ABUT 1)



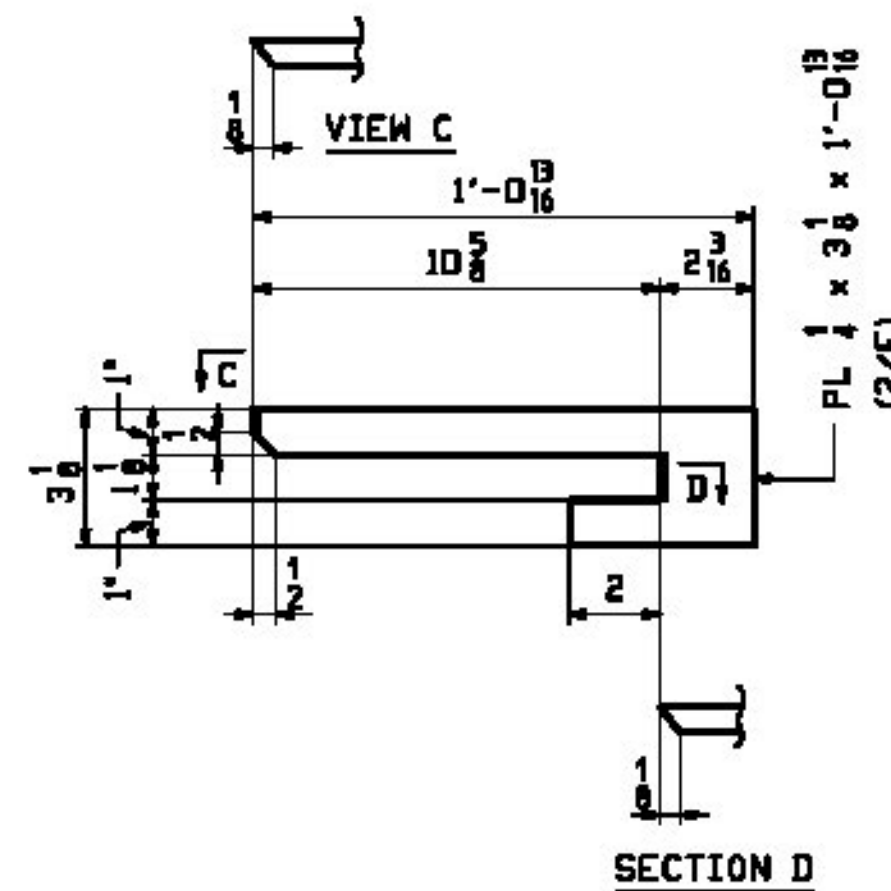
5 ~ BRG STIFF ~ x1d
(FS @ ABUT 1)



10 ~ BRG STIFF ~ x1f
(ABUT 2)



ONE ~ DRIP BAR ~ x1g
(@ G5, NEAR ABUT 2)



ONE ~ DRIP BAR ~ x1h
(@ G1, NEAR ABUT 2)

T.Y. LIN INTERNATIONAL

THE STAMPED DOCUMENTS ARE HEREBY:

- APPROVED
- APPROVED AS NOTED
- REVISE AND RESUBMIT

SEE TRANSMITTAL FOR ADDITIONAL INFORMATION AS APPLICABLE.

THIS REVIEW IS FOR GENERAL CONFORMANCE WITH DESIGN CONCEPT ONLY. ANY DEVIATION FROM THE PLANS OR SPECIFICATIONS NOT CLEARLY NOTED BY THE CONTRACTOR HAS NOT BEEN REVIEWED. REVIEW BY THE ENGINEER SHALL NOT RELIEVE THE CONTRACTOR OF THE CONTRACTUAL RESPONSIBILITY FOR ANY ERRORS OR DEVIATION FROM THE CONTRACT REQUIREMENTS.

RICK HEBERT
REVIEWER

4/25/2014
DATE

NOTES:
1. FOR GENERAL NOTES SEE DRAWING GMI.

REV.	DATE	REMARKS	DWN	CHK	APVL	SHOP
1	4/7/14	GRIND TO BEAR PER APPROVAL COMMENT				
MATERIAL:		SURFACE PREP. & PAINT:	HOLES:		SHOP BOLTS:	
M270-50M (UN)		SEE GMI	5/8" Ø		NONE	
DESCRIPTION: GIRDER STANDARD DETAILS						
STRUCTURE: VT RTE 15 OVER CENTERVILLE BRIDGE #42 HYDE PARK LAMOILLE COUNTY			DRAWN: JAS	DATE: 02/28	CASCO BAY STEEL STRUCTURES, INC. 1 WALLACE AVE. SOUTH PORTLAND, ME 04106 PHONE (207) 780-6722 FAX: (207) 780-6725	
LOCATION: HYDE PARK, VT			CHKD: DD	DATE: 3/6/14	JOB NO. 565	
PROJ NO. STP CULV (26)			DWN NO. 565		DWG NO. X1	
CUSTOMER: VDOT			REV. 1		REV. 1	