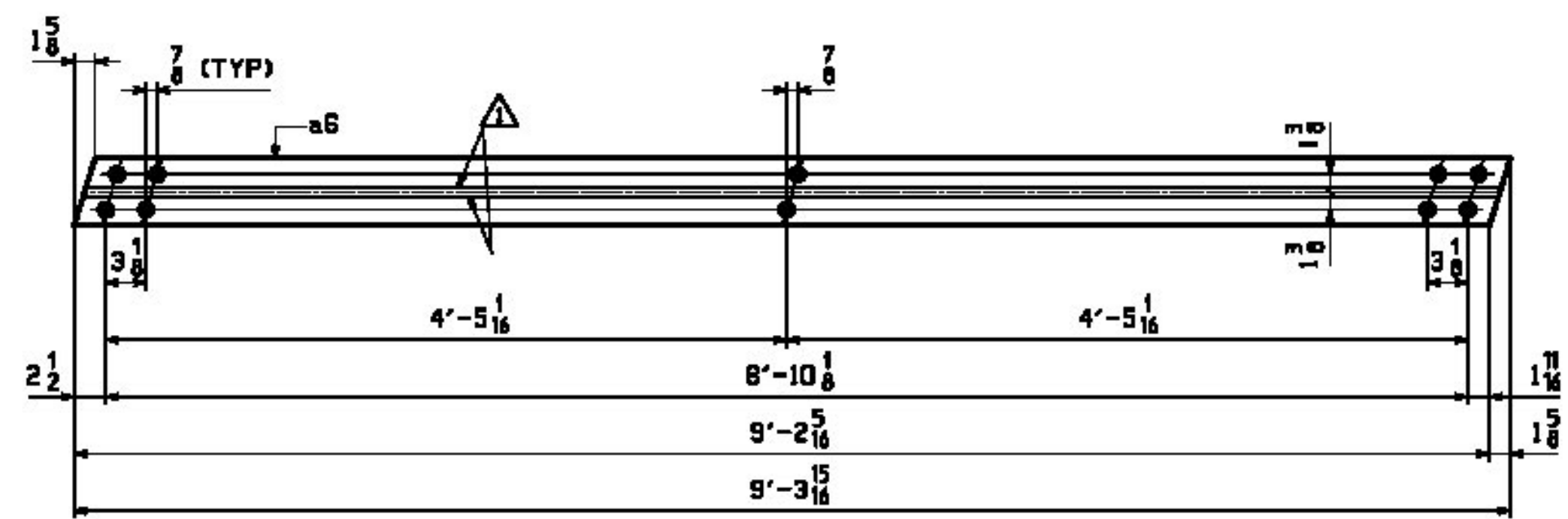
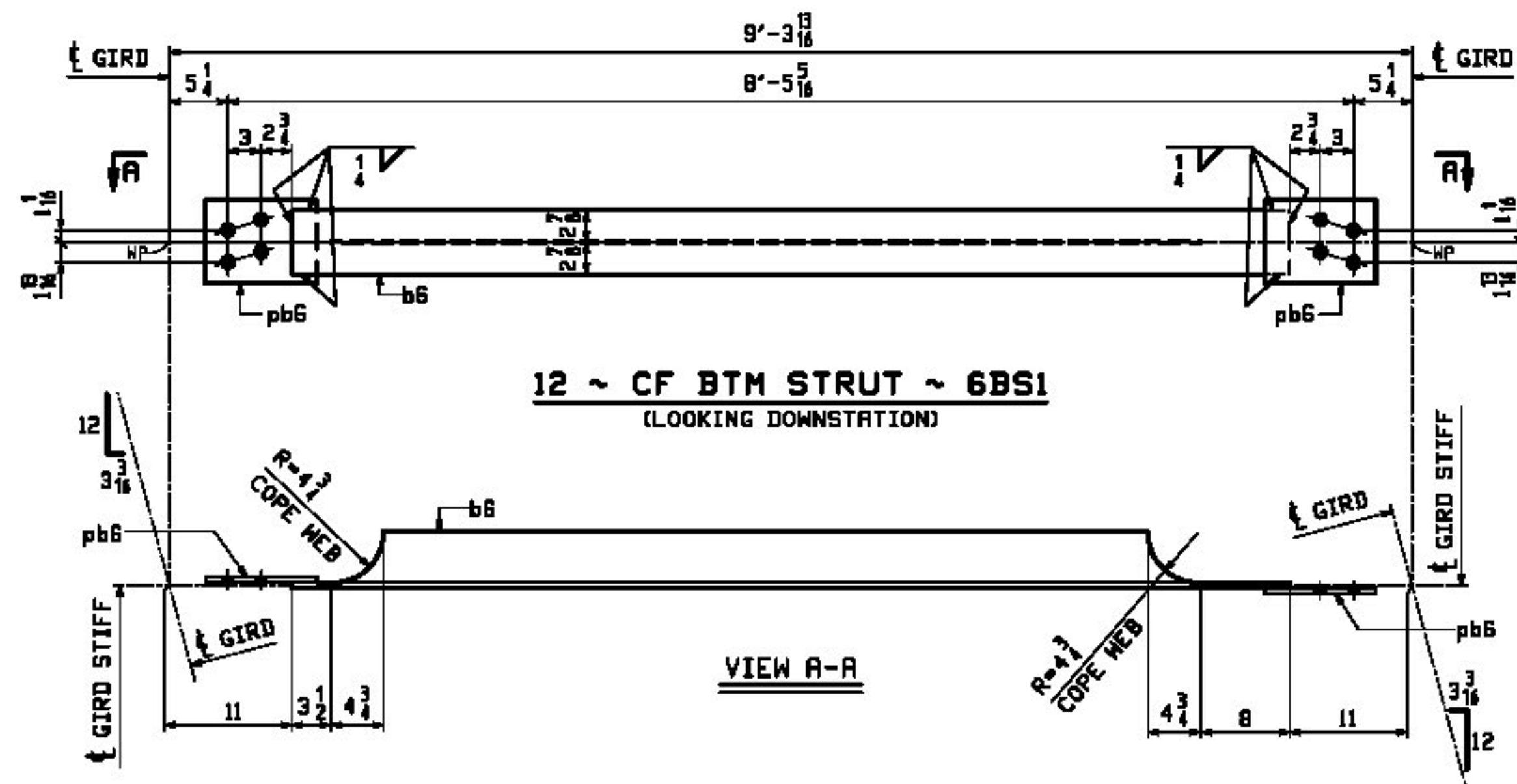


24 ~ CF DIAGONAL ~ 6D1
(LOOKING DOWNSTATION)



24 ~ CF DIAGONAL ~ 6D2
(LOOKING DOWNSTATION)



12 ~ CF BTM STRUT ~ 6BS1
(LOOKING DOWNSTATION)

VIEW A-A

JOB NO.		DRAWING NO.		REV.	
565		6		Δ	
PKG	LINE	QTY	REMARKS	MT	PROCUREMENT NOTES
	6D1	24	CROSSFRAME DIAG	120	
2	J	24	a6 WT 4x10.5	96	
2	L	24	pa6 PL 1/2x7	22	
	6D2	24	CROSSFRAME DIAG	96	
2	J	24	a6 WT 4x10.5	96	
	6BS1	12	CROSSFRAME BTM STRUT	104	
2	H	12	b6 WT 5x11	82	
2	M	24	pb6 PL 1/2x7 1/2	11	

T.Y. LIN INTERNATIONAL

THE STAMPED DOCUMENTS ARE HEREBY:

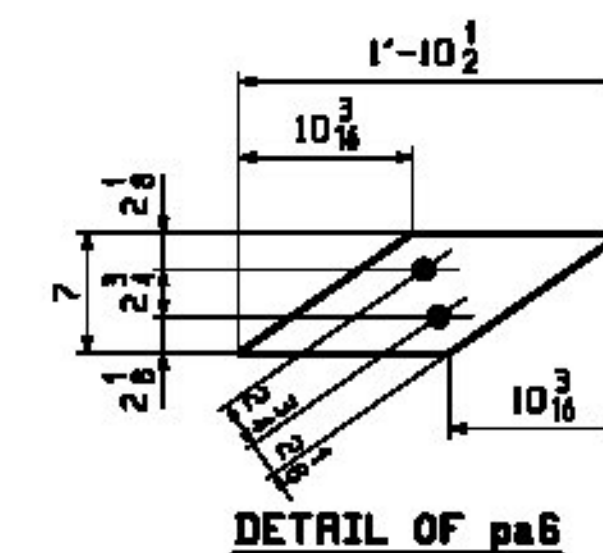
- _____ APPROVED
- X APPROVED AS NOTED
- _____ REVISE AND RESUBMIT

SEE TRANSMITTAL FOR ADDITIONAL INFORMATION AS APPLICABLE.

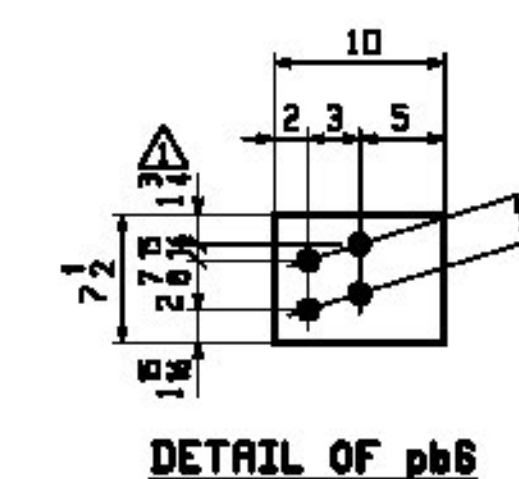
THIS REVIEW IS FOR GENERAL CONFORMANCE WITH DESIGN CONCEPT ONLY. ANY DEVIATION FROM THE PLANS OR SPECIFICATIONS NOT CLEARLY NOTED BY THE CONTRACTOR HAS NOT BEEN REVIEWED. REVIEW BY THE ENGINEER SHALL NOT RELIEVE THE CONTRACTOR OF THE CONTRACTUAL RESPONSIBILITY FOR ANY ERRORS OR DEVIATION FROM THE CONTRACT REQUIREMENTS.

RICK HEBERT
REVIEWER

4/25/2014
DATE



DETAIL OF pa6



DETAIL OF pb6

NOTES:
FOR GENERAL NOTES SEE SHEET GNI.

Δ	04/03	APPROVAL COMMENTS-STEM NS	JAS	ML		
Δ	04/08	ADDED DIMENSIONS TO pb6	ELC	DO		
□						
REV.	DATE	REMARKS	DWN	CHK	APVL	SHOP
MATERIAL:		SURFACE PREP. & PAINT:	HOLES:		SHOP BOLTS:	
M270-50M (UN)		SEE GNI	5/8"		NONE	
DESCRIPTION: INT CROSSFRAMES						
			CASCO BAY STEEL STRUCTURES, INC. 1 WALLACE AVE. PHONE (207) 780-6722 SOUTH PORTLAND, ME 04106 FAX: (207) 780-6725			
STRUCTURE: VT RTE 15 OVER CENTERVILLE BRIDGE #42 HYDE PARK LAMOILLE COUNTY			DRAWN: JAS	DATE: 02/28		
			CHKD: DO	DATE: 3/7/14		
LOCATION: HYDE PARK, VT			JOB NO. 565	DWG NO. 6		
PROJ NO. STP CULV (26)					REV. Δ	
CUSTOMER: VDOT						