

# T.Y. LIN INTERNATIONAL

THE STAMPED DOCUMENTS ARE HEREBY:

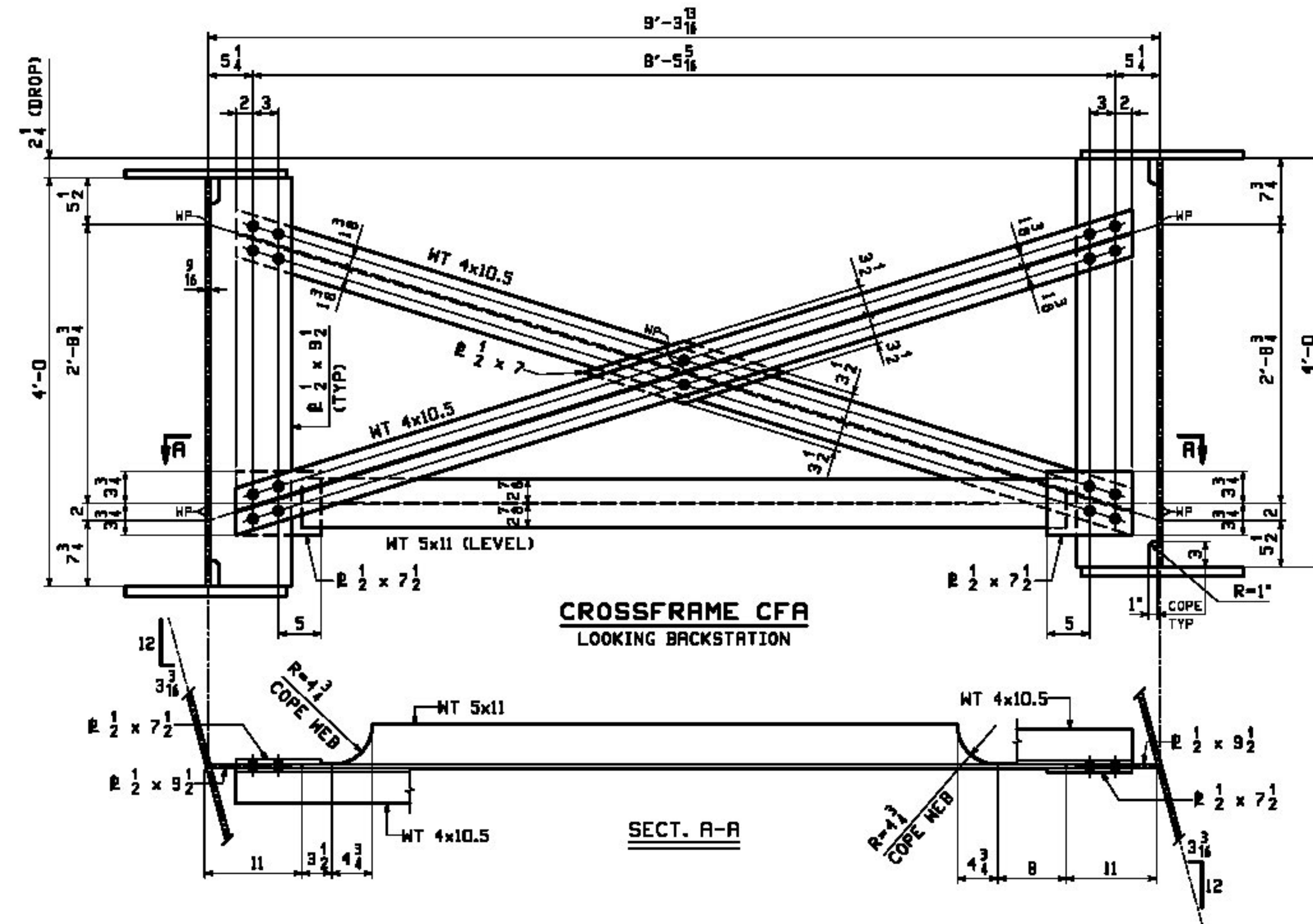
- APPROVED
- APPROVED AS NOTED
- REVISE AND RESUBMIT

SEE TRANSMITTAL FOR ADDITIONAL INFORMATION AS APPLICABLE.

THIS REVIEW IS FOR GENERAL CONFORMANCE WITH DESIGN CONCEPT ONLY. ANY DEVIATION FROM THE PLANS OR SPECIFICATIONS NOT CLEARLY NOTED BY THE CONTRACTOR HAS NOT BEEN REVIEWED. REVIEW BY THE ENGINEER SHALL NOT RELIEVE THE CONTRACTOR OF THE CONTRACTUAL RESPONSIBILITY FOR ANY ERRORS OR DEVIATION FROM THE CONTRACT REQUIREMENTS.

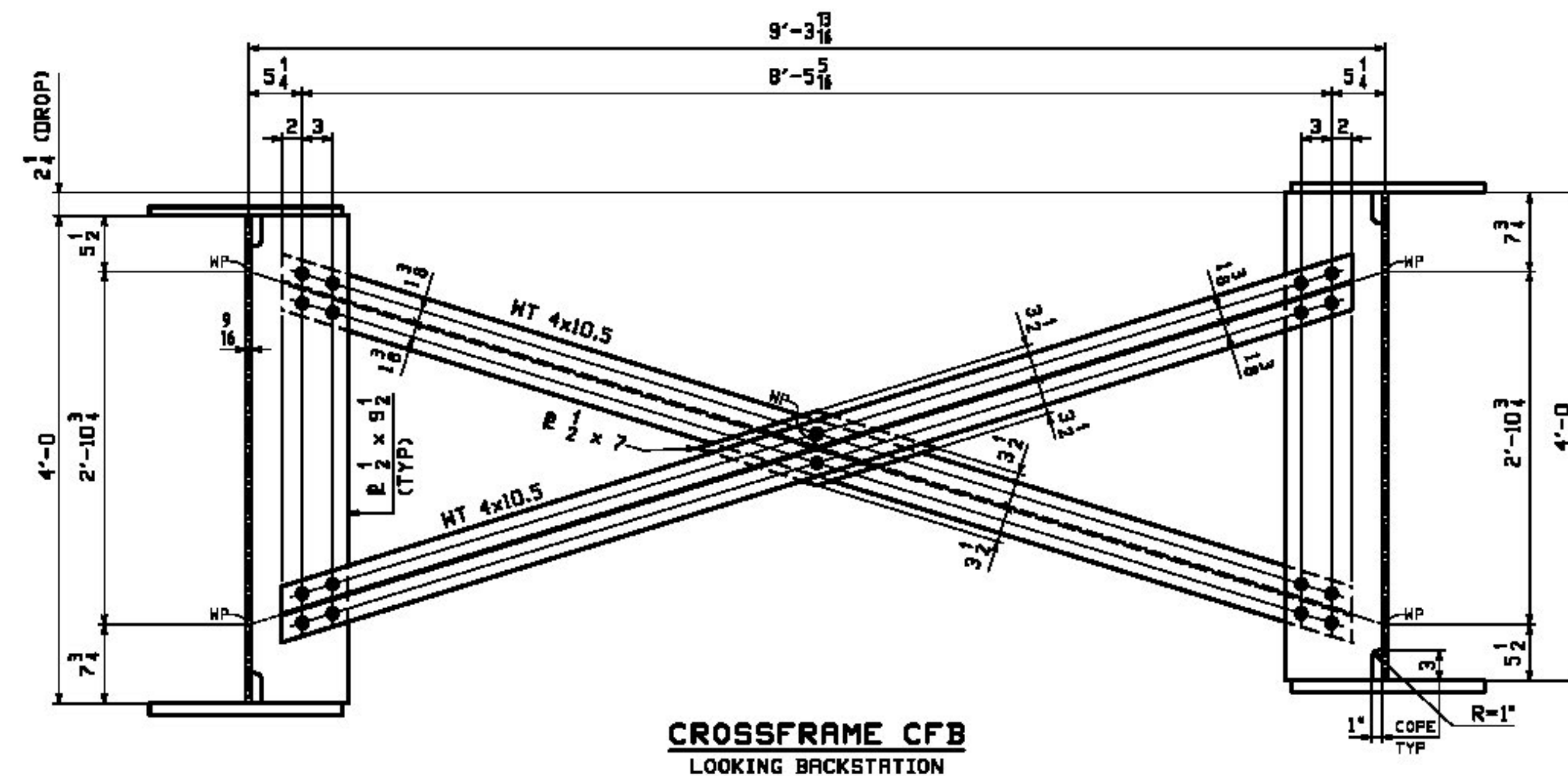
RICK HEBERT  
REVIEWER

4/25/2014  
DATE




**CROSSFRAME CFA**  
LOOKING BACKSTATION

**SECTION A-A**



**CROSSFRAME CFB**  
LOOKING BACKSTATION

**\*\* NOTE \*\***  
THE PURPOSE OF THIS DRAWING IS TO COORDINATE GEOMETRIC CONTROL INFORMATION AND CONNECTION SPACING. THIS DWG IS SUBMITTED FOR INFORMATION ONLY & IS NOT INTENDED FOR SHOP FABRICATION. DETAIL DWGS WILL SHOW ALL WELDING AND DIMENSIONS REQ'D FOR FABRICATION.

REV.	DATE	REMARKS	DWN	CHK	APVL	SHOP
MATERIAL:		SURFACE PREP. & PAINT:		HOLES:		SHOP BOLTS:
M270-50M (UN)		SEE GNI		5/8"		NONE
DESCRIPTION: TYPICAL LAYOUTS						
 <b>CASCO BAY STEEL STRUCTURES, INC.</b> 1 WALLACE AVE. PHONE (207) 780-6722 SOUTH PORTLAND, ME 04106 FAX (207) 780-6725				DRAWN: JAS	DATE: 02/27	
STRUCTURE: VT RTE 15 OVER CENTERVILLE BRIDGE #42 HYDE PARK LAMOILLE COUNTY				CHKD: DD	DATE: 3/5/14	
LOCATION: HYDE PARK, VT				JOB NO.: 565	DWG NO.: TDI	
PROJ NO.: STP CULV (26)				CUSTOMER: VDOT	REV. <input checked="" type="checkbox"/>	