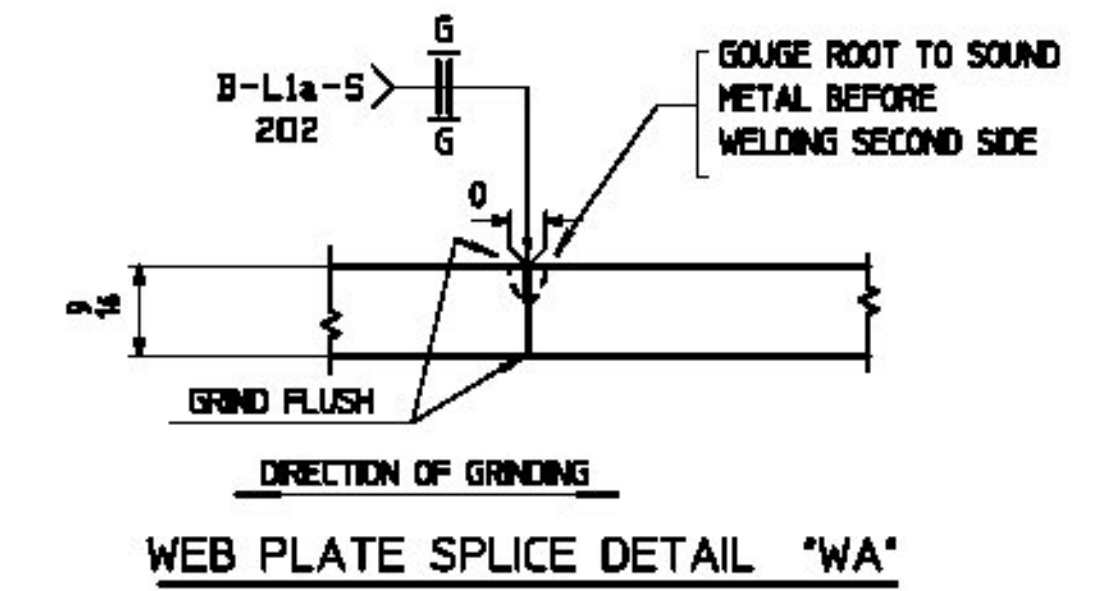


CAMBER DIAGRAM FOR 1G1, 2G2, 3G3, 4G4 & 5G5



T.Y. LIN INTERNATIONAL

THE STAMPED DOCUMENTS ARE HEREBY:

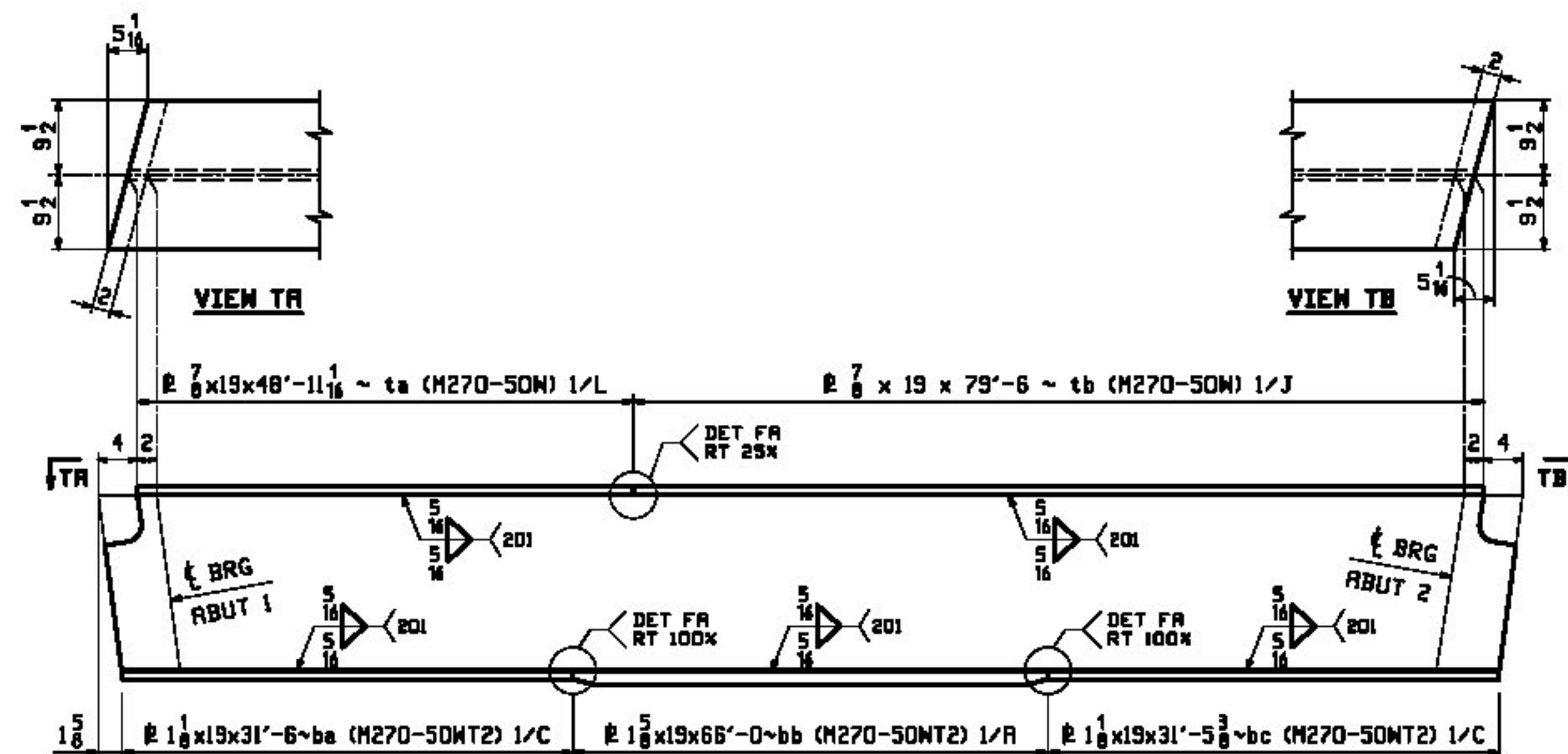
- APPROVED
- APPROVED AS NOTED
- REVISE AND RESUBMIT

SEE TRANSMITTAL FOR ADDITIONAL INFORMATION AS APPLICABLE.

THIS REVIEW IS FOR GENERAL CONFORMANCE WITH DESIGN CONCEPT ONLY. ANY DEVIATION FROM THE PLANS OR SPECIFICATIONS NOT CLEARLY NOTED BY THE CONTRACTOR HAS NOT BEEN REVIEWED. REVIEW BY THE ENGINEER SHALL NOT RELIEVE THE CONTRACTOR OF THE CONTRACTUAL RESPONSIBILITY FOR ANY ERRORS OR DEVIATION FROM THE CONTRACT REQUIREMENTS.

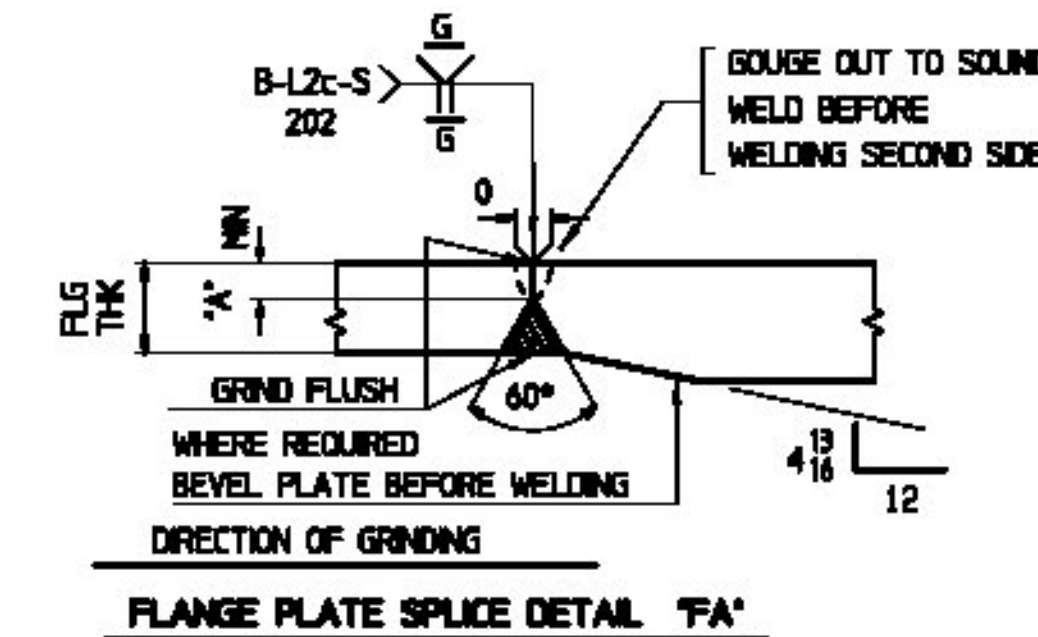
RICK HEBERT
REVIEWER

4/25/2014
DATE



FLANGE DIAGRAM FOR 1G1, 2G2, 3G3, 4G4 & 5G5

FLG THK	"R"
7/8	1
1/8	3/8



FLANGE PLATE SPICE DETAIL 'FA'

- NOTES:
- ALL MATERIAL TO BE AASHTO M270-50M
 - "T2" DENOTES MAT'L SUBJECT TO CHARNY V-NOTCH TESTING (ZONE 2)
 - TRIM ENDS OF GIRDERS AFTER ALL WELDING IS COMPLETED.
 - FOR GENERAL NOTES SEE DNG GNI.

REV.	DATE	REMARKS	DWN	CHK	APVL	SHOP
MATERIAL:		SURFACE PREP. & PAINT:		HOLES:		SHOP BOLTS:
M270-50M (UN)		SEE GNI				
DESCRIPTION: CAMBER & FLANGE DIAGRAMS						
			CASCO BAY STEEL STRUCTURES, INC. 1 WALLACE AVE. PHONE (207) 780-6722 SOUTH PORTLAND, ME 04106 FAX (207) 780-6726			
STRUCTURE: VT RTE 15 OVER CENTERVILLE BRIDGE #42 HYDE PARK LAMOILLE COUNTY			DRAWN: JAS	DATE: 02/27		
			CHKD: 00	DATE: 3/7/14		
LOCATION: HYDE PARK, VT			JOB NO. 565		DNG NO. C1	
PROJ NO. STP CULV (26)						
CUSTOMER: VDOT					REV. <input checked="" type="checkbox"/>	