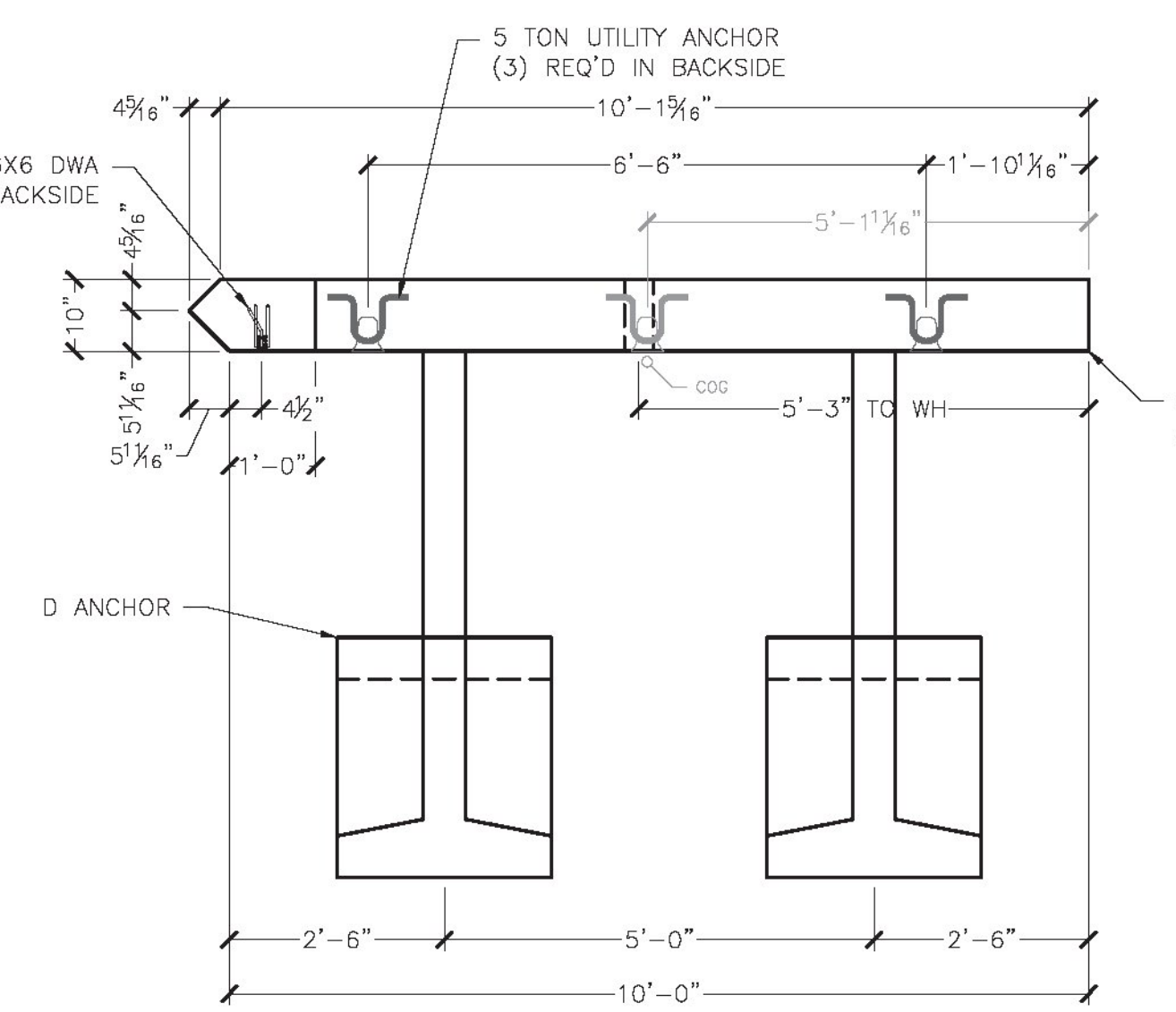


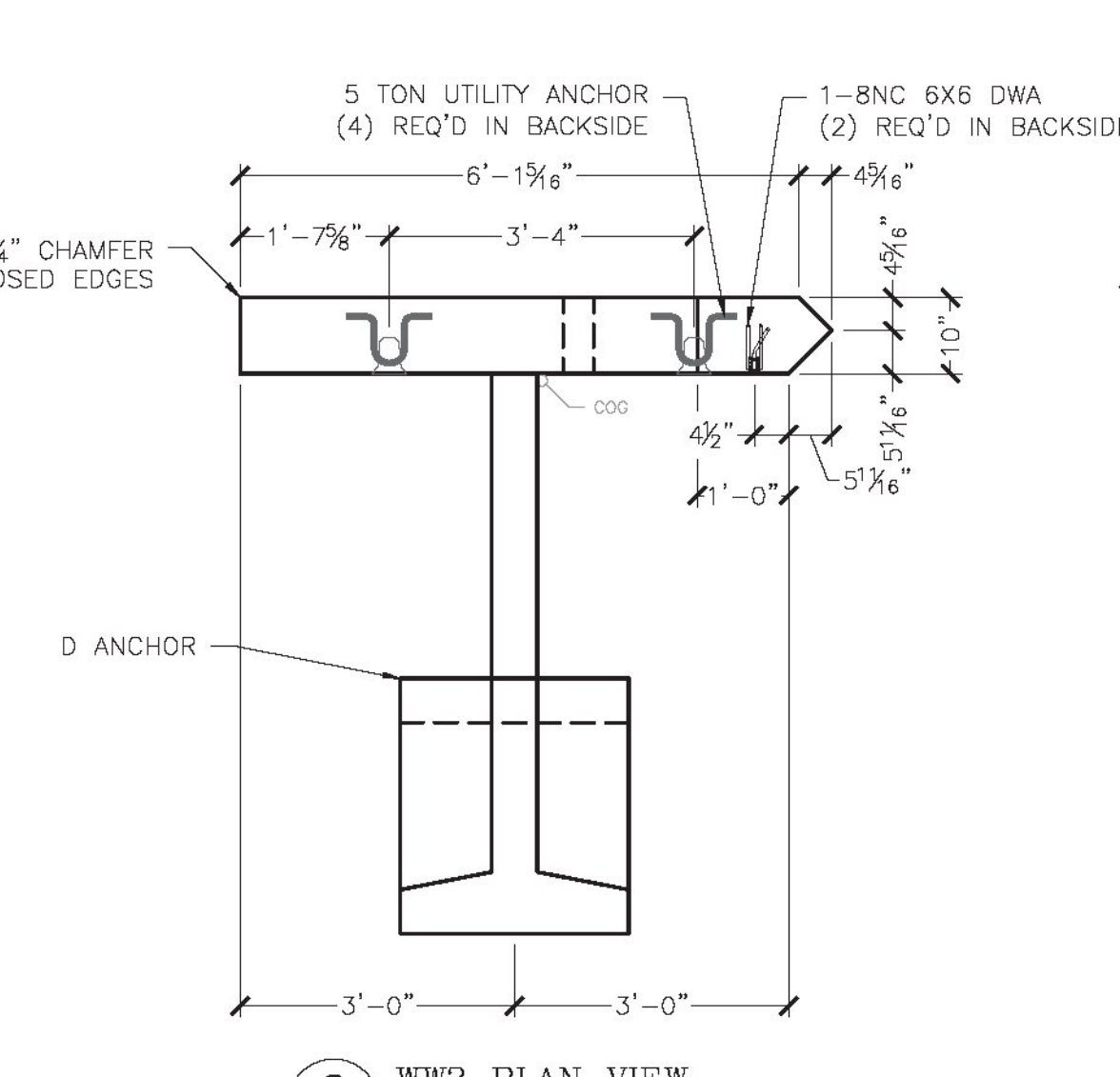
1 WW4 PLAN VIEW
S4.0 1/2" = 1'-0"

WW4 - 1 REQ'D
ITEM 275602
UNIT WEIGHT AND VOLUME:
WALL: 3.13CY (13,150#)
D ANCHOR: 0.54CY (2,270#)
TOTAL WEIGHT: 15,420#



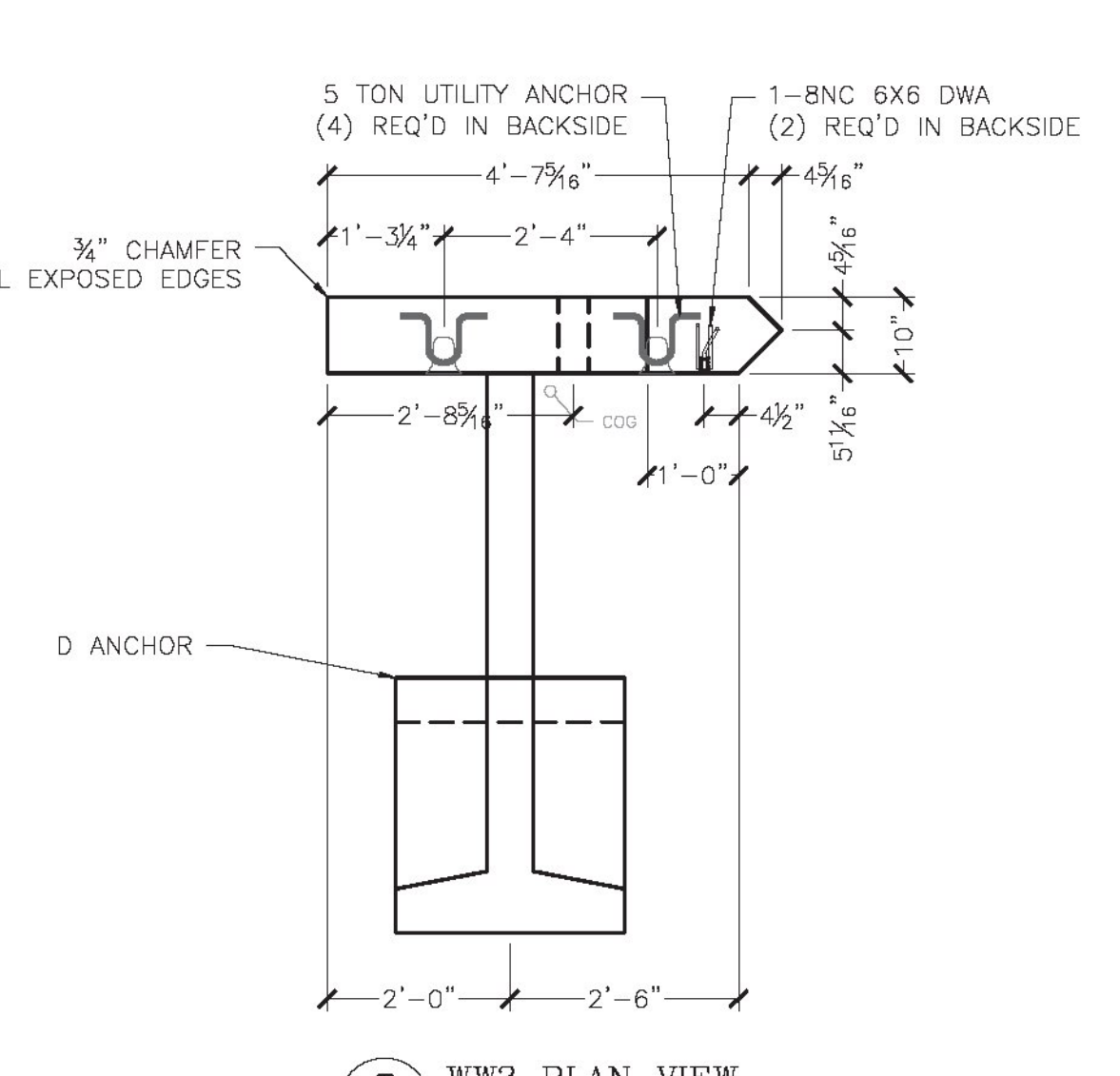
3 WW1 PLAN VIEW
S4.0 1/2" = 1'-0"

WW1 - 1 REQ'D
ITEM 275602
UNIT WEIGHT AND VOLUME:
WALL: 3.17CY (13,320#)
D ANCHOR: 0.54CY (2,270#)
TOTAL WEIGHT: 15,590#



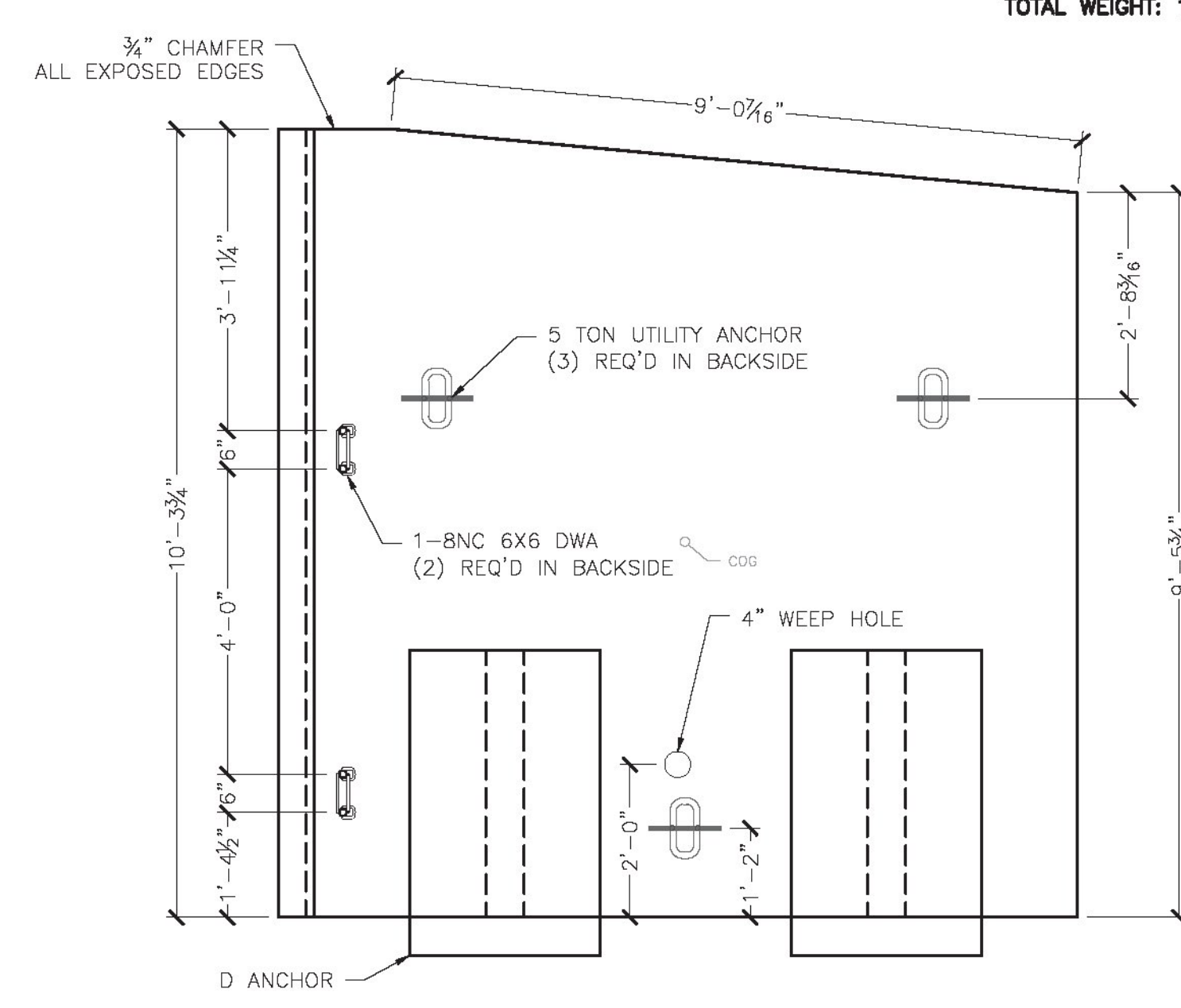
5 WW2 PLAN VIEW
S4.0 1/2" = 1'-0"

WW2 - 1 REQ'D
ITEM 275602
UNIT WEIGHT AND VOLUME:
WALL: 1.76CY (7,390#)
D ANCHOR: 0.54CY (2,270#)
TOTAL WEIGHT: 9,660#

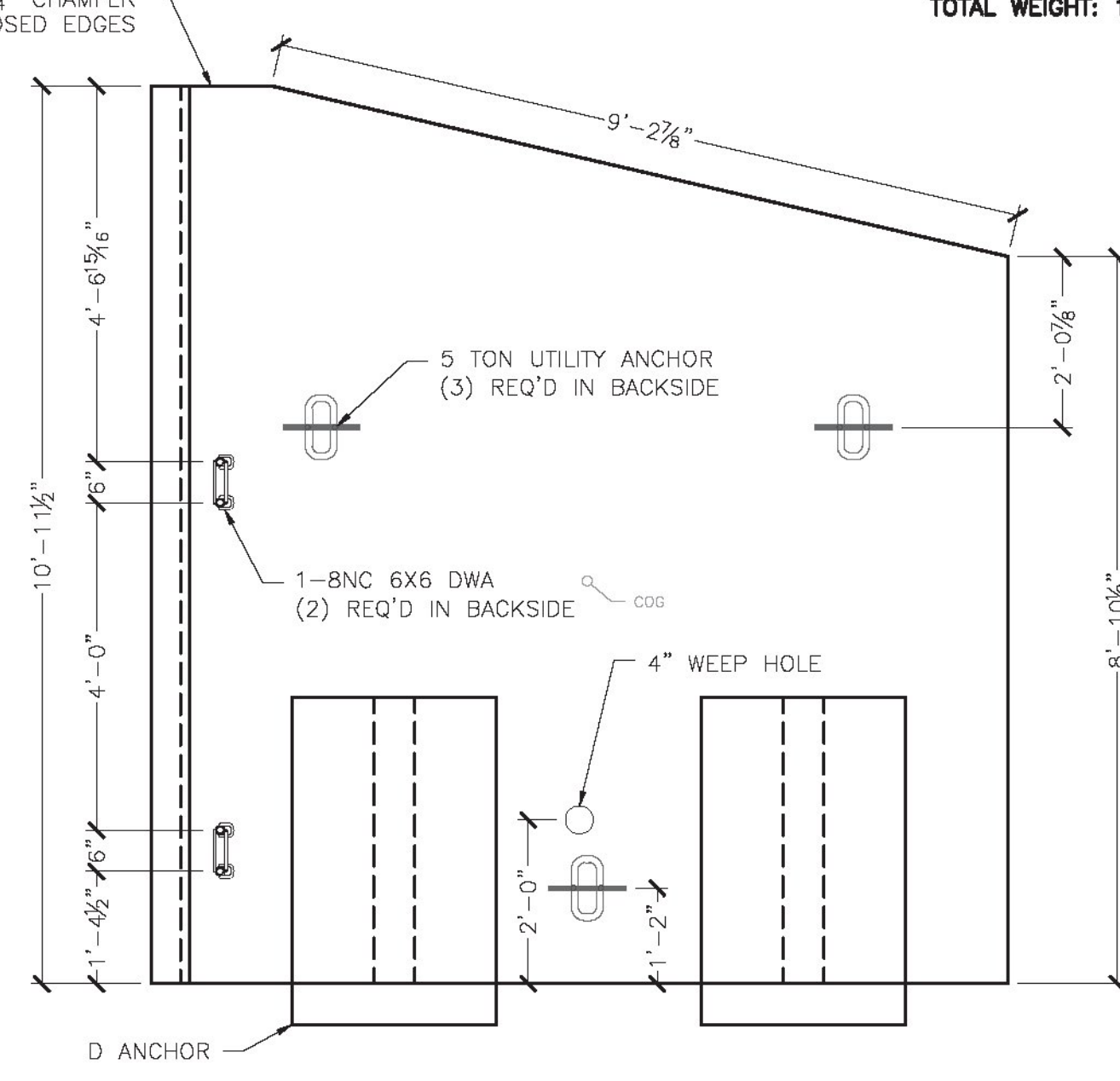


7 WW3 PLAN VIEW
S4.0 1/2" = 1'-0"

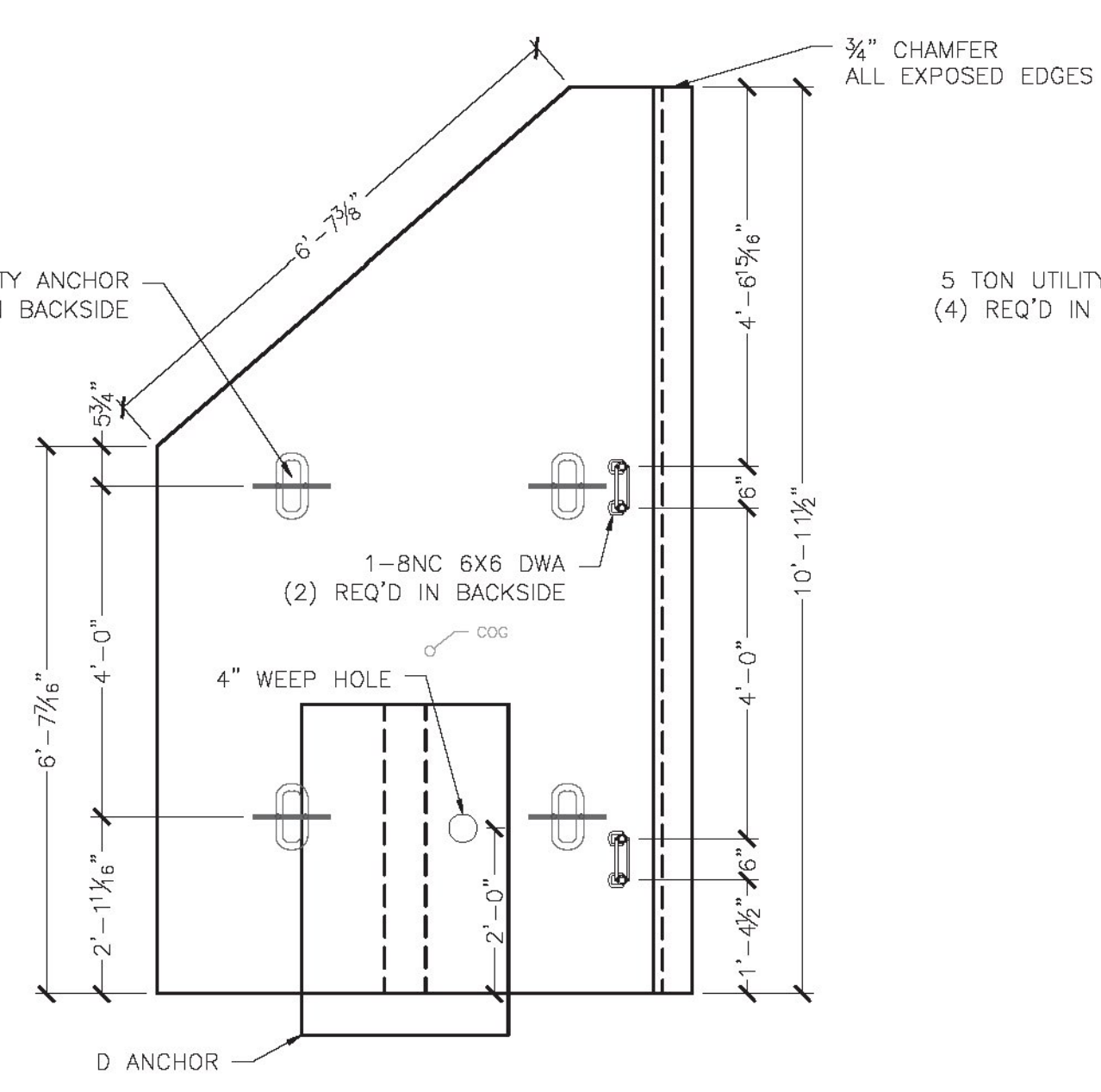
WW3 - 1 REQ'D
ITEM 275602
UNIT WEIGHT AND VOLUME:
WALL: 1.31CY (5,500#)
D ANCHOR: 0.54CY (2,270#)
TOTAL WEIGHT: 7,770#



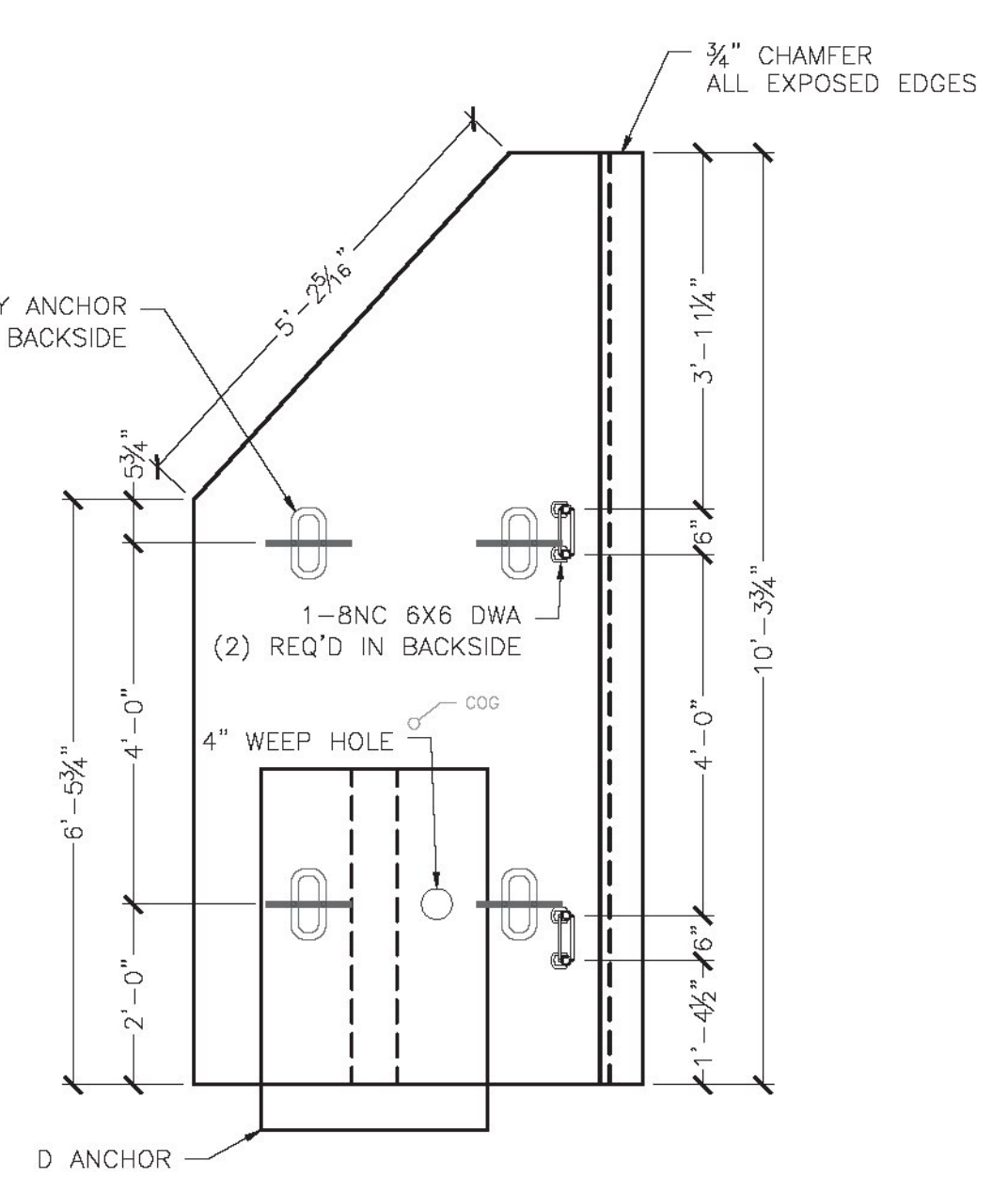
2 WW4 ELEV. VIEW
S4.0 1/2" = 1'-0" (Looking @ Backside)



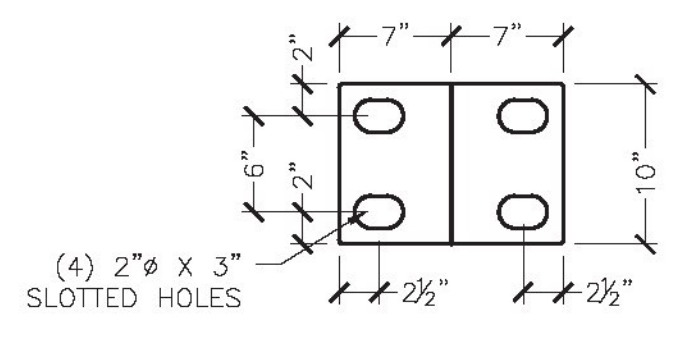
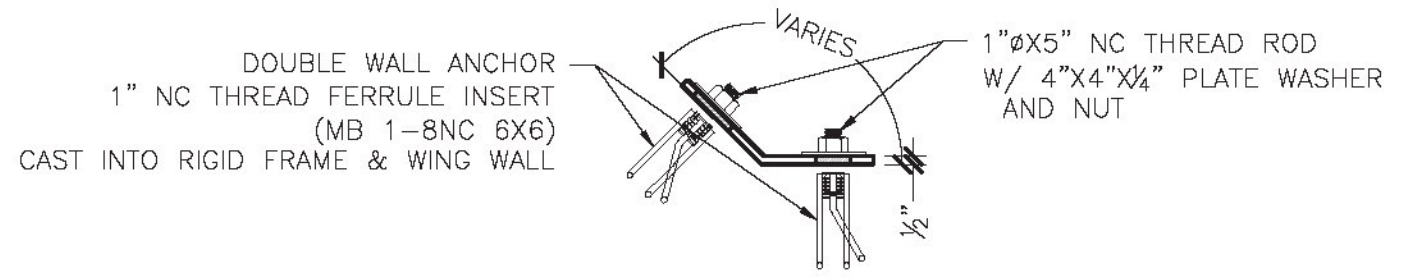
4 WW1 ELEV. VIEW
S4.0 1/2" = 1'-0" (Looking @ Backside)



6 WW2 ELEV. VIEW
S4.0 1/2" = 1'-0" (Looking @ Backside)

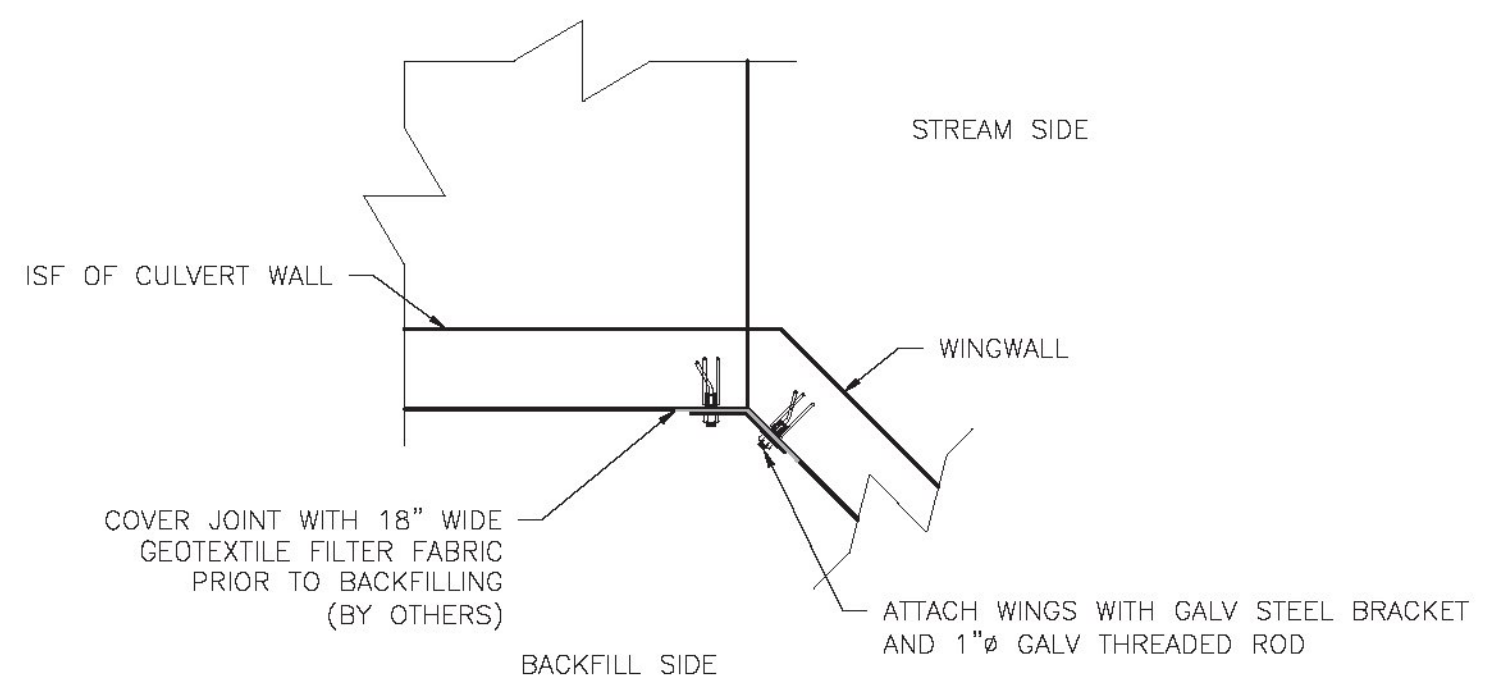


8 WW3 ELEV. VIEW
S4.0 1/2" = 1'-0" (Looking @ Backside)

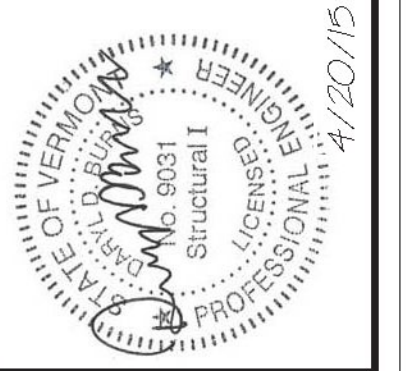


PLATES TO BE MADE OF 1/2" MILD STEEL, PLASMA CUT, AND BENT AS REQUIRED. (HOT DIPPED GALVANIZED AFTER BENDING)

9 WINGWALL BRACKET DETAIL
S4.0 1" = 1'-0"



10 BRIDGE TO WW JOINT DETAIL
S4.0 1/2" = 1'-0"



MICHIE
CONCRETE & STEEL
173 BUXTON INDUSTRIAL DRIVE - PO BOX 870
HENNIKER, NH 03242
PHONE: 603-428-3218
WWW.MICHIECORP.COM

Project No. 5778
Date: 2/24/2015
Designed by: PDL/CFP
Drawn by: CFP
Checked by: PDL
Scale: AS SHOWN
12'x7' Open Top Box Culvert - Wingwall Details
Winhall, VT
Bridge #52 - VT Route 30 - VAOT STP Culv(31)

Prepared for:
Renaud Brothers, Inc.
283 Fort Bridgeman Rd #2
Vernon, VT 05354

No.	Date	Revised	By
1	4/15/2015	Revised WW angle at contractor's request	PDL