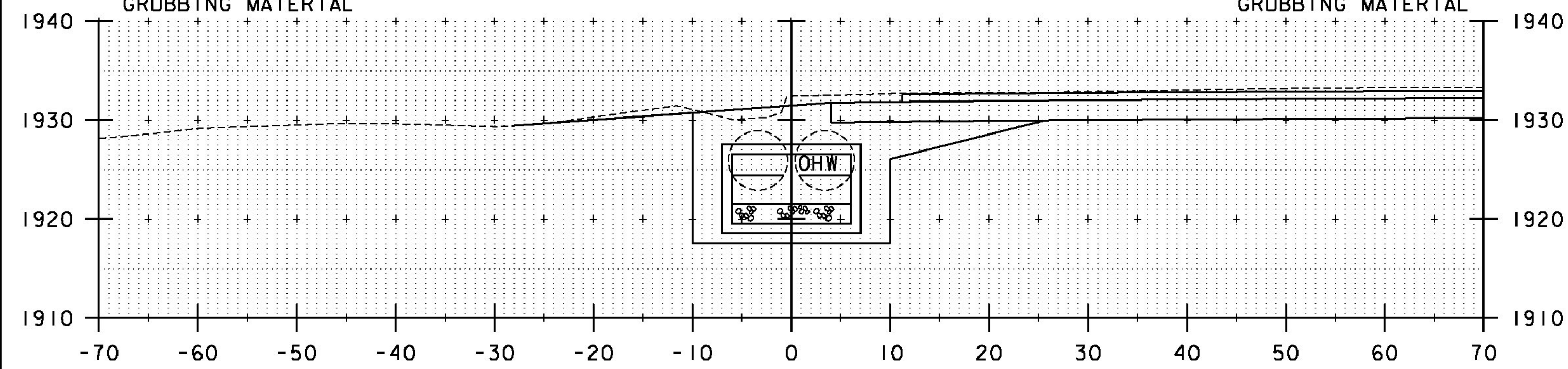


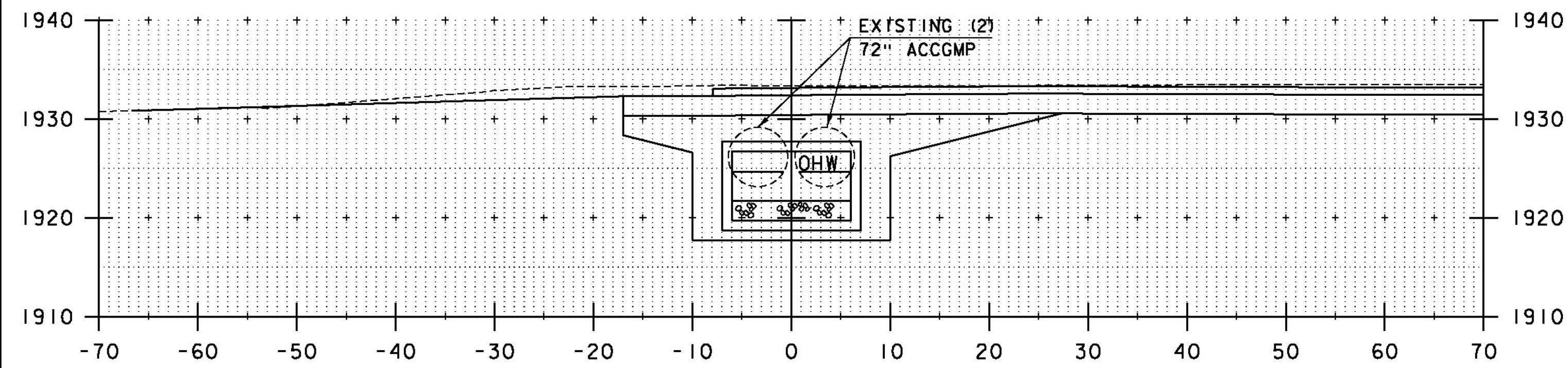
STA. 21+50 LT  
RESUME UNCLASSIFIED CHANNEL EXCAVATION  
GEOTEXTILE UNDER STONE FILL  
STONE FILL, TYPE II  
GRUBBING MATERIAL

21+50

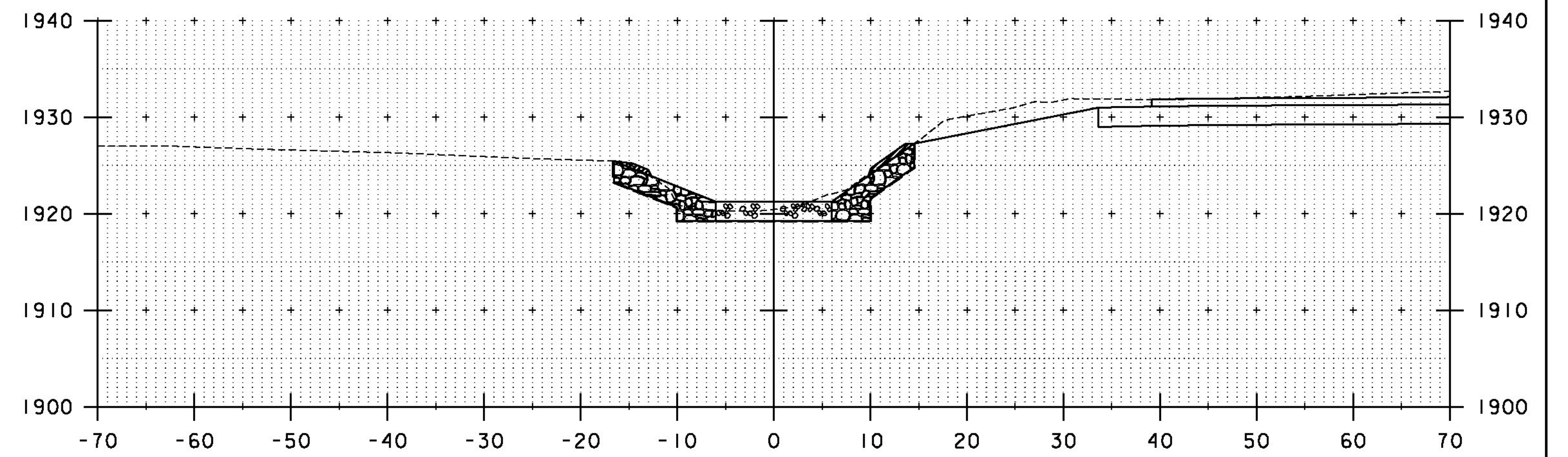
STA. 21+50 RT  
RESUME UNCLASSIFIED CHANNEL EXCAVATION  
GEOTEXTILE UNDER STONE FILL  
STONE FILL, TYPE II  
GRUBBING MATERIAL



21+40



21+30



21+60

STA. 21+30 TO STA. 21+60

PROJECT NAME: WINHALL  
PROJECT NUMBER: STP CULV(31)

FILE NAME: z11b268xs\_br52.dgn  
PROJECT LEADER: M. CHENETTE  
DESIGNED BY: J. HUNGERFORD  
CHANNEL CROSS SECTIONS - CXS2 - BR52

PLOT DATE: 9/25/2014  
DRAWN BY: L. BUXTON  
CHECKED BY: M. CHENETTE  
SHEET 50 OF 60

