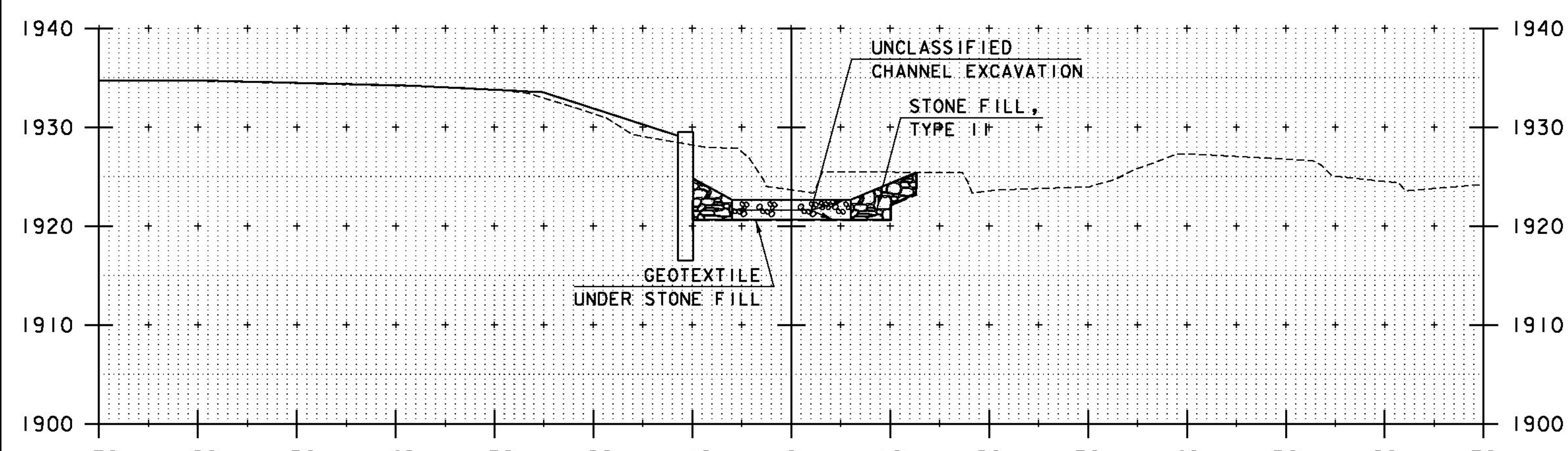


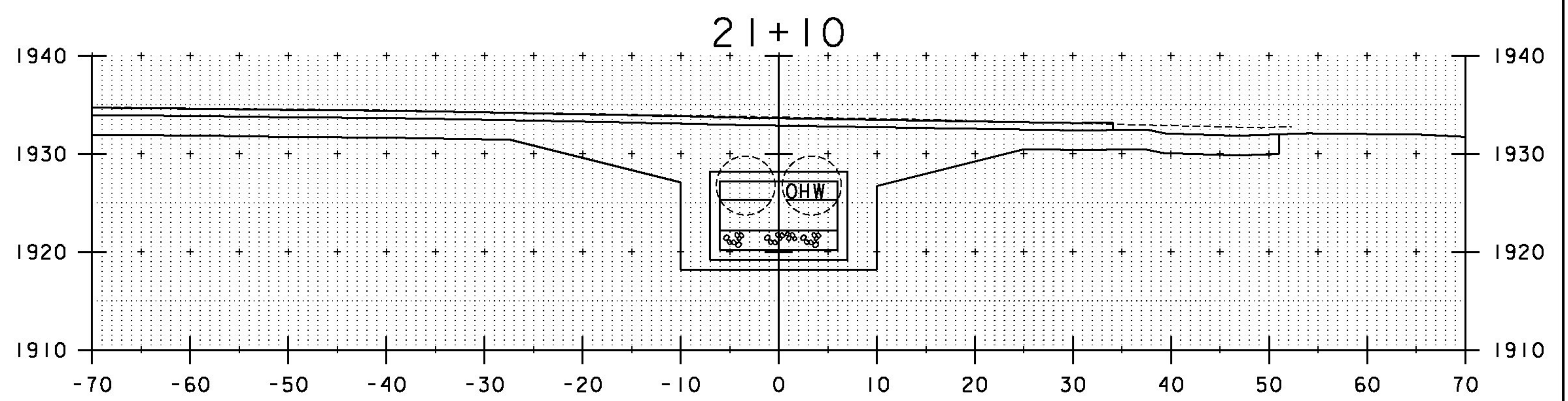
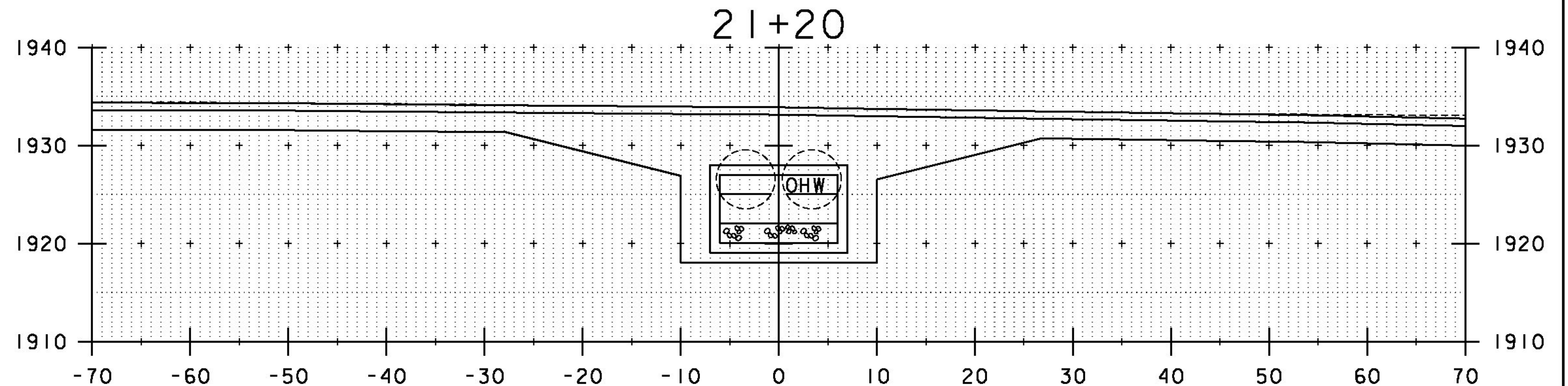
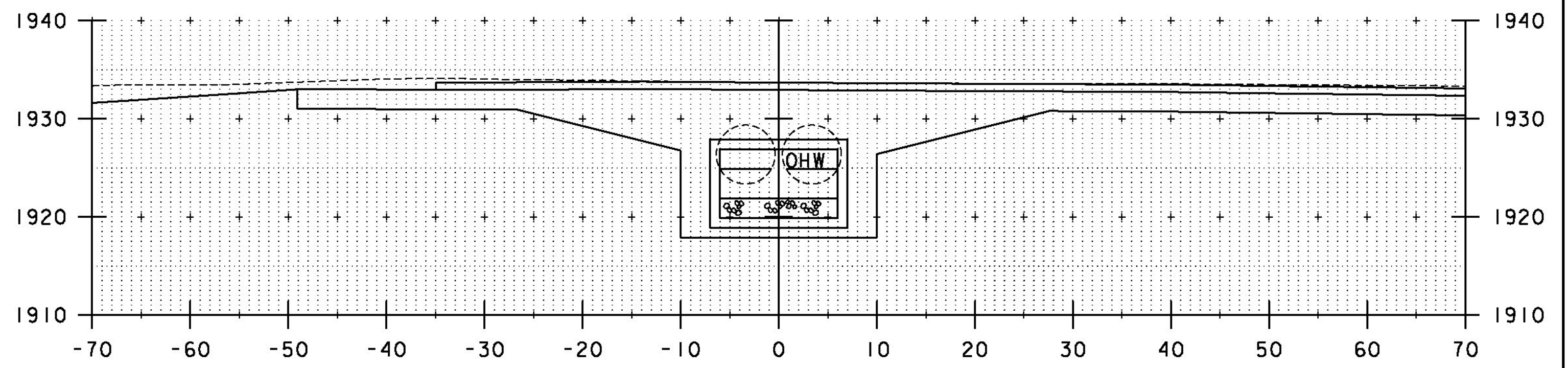
STA. 20+79 LT  
 STOP UNCLASSIFIED CHANNEL EXCAVATION  
 GEOTEXTILE UNDER STONE FILL  
 STONE FILL, TYPE II  
 GRUBBING MATERIAL

STA. 20+79 RT  
 STOP UNCLASSIFIED CHANNEL EXCAVATION  
 GEOTEXTILE UNDER STONE FILL  
 STONE FILL, TYPE II  
 GRUBBING MATERIAL



STA. 20+25 LT  
 BEGIN UNCLASSIFIED CHANNEL EXCAVATION  
 GEOTEXTILE UNDER STONE FILL  
 STONE FILL, TYPE II  
 GRUBBING MATERIAL  
 STA. 20+65 LT  
 BEGIN SPECIAL PROVISION  
 (STONE FILL, CULVERT LINING)

STA. 20+25 RT  
 BEGIN UNCLASSIFIED CHANNEL EXCAVATION  
 GEOTEXTILE UNDER STONE FILL  
 STONE FILL, TYPE II  
 GRUBBING MATERIAL  
 STA. 20+65 RT  
 BEGIN SPECIAL PROVISION  
 (STONE FILL, CULVERT LINING)



STA. 20+70 TO STA. 21+20

PROJECT NAME: WINHALL  
 PROJECT NUMBER: STP CULV(3I)  
 FILE NAME: z1lb268xs\_br52.dgn  
 PROJECT LEADER: M. CHENETTE  
 DESIGNED BY: J. HUNGERFORD  
 CHANNEL CROSS SECTIONS - CXSI - BR52

PLOT DATE: 9/25/2014  
 DRAWN BY: L. BUXTON  
 CHECKED BY: M. CHENETTE  
 SHEET 49 OF 60

