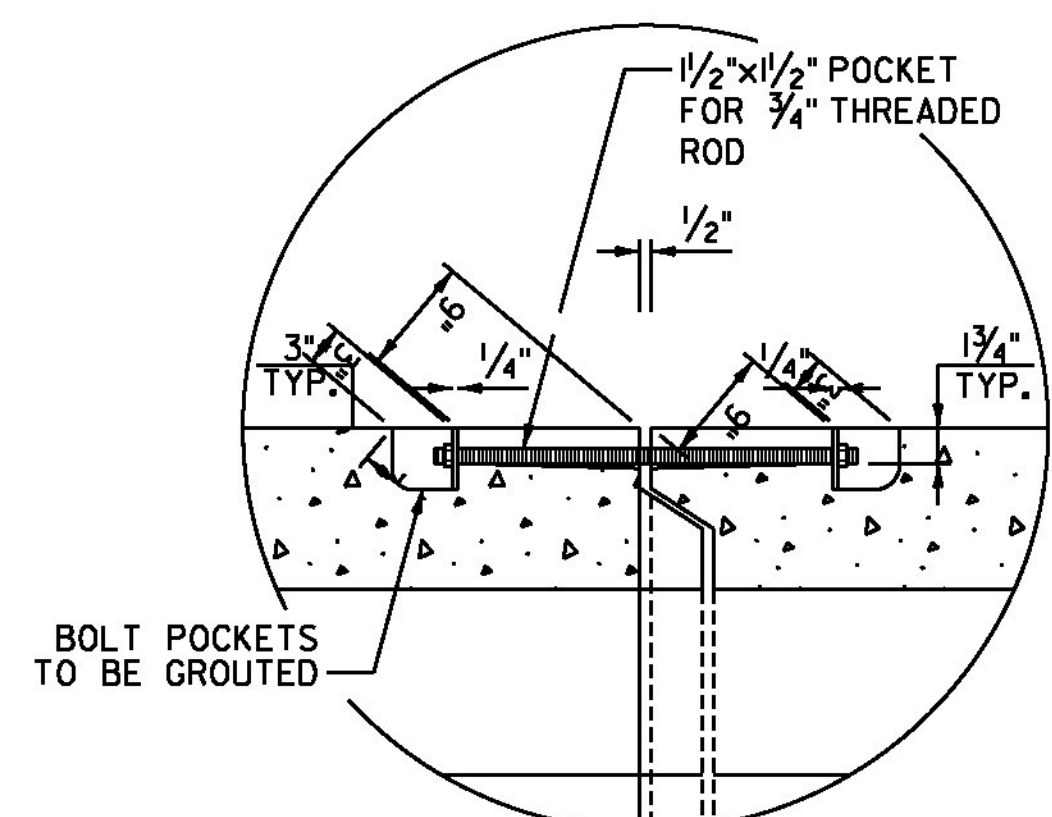
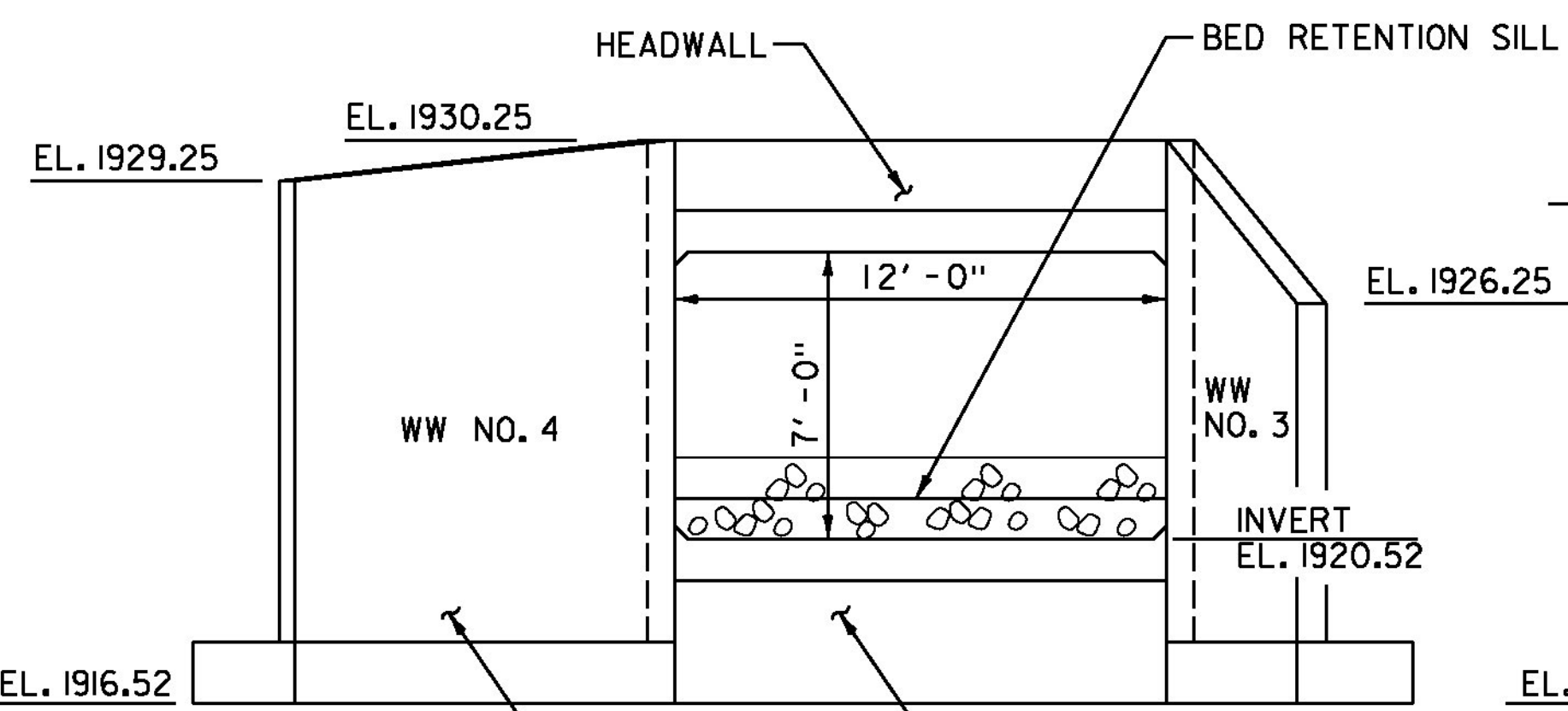


PRECAST CONCRETE STRUCTURE PLAN

SCALE: 1/4" = 1'-0"

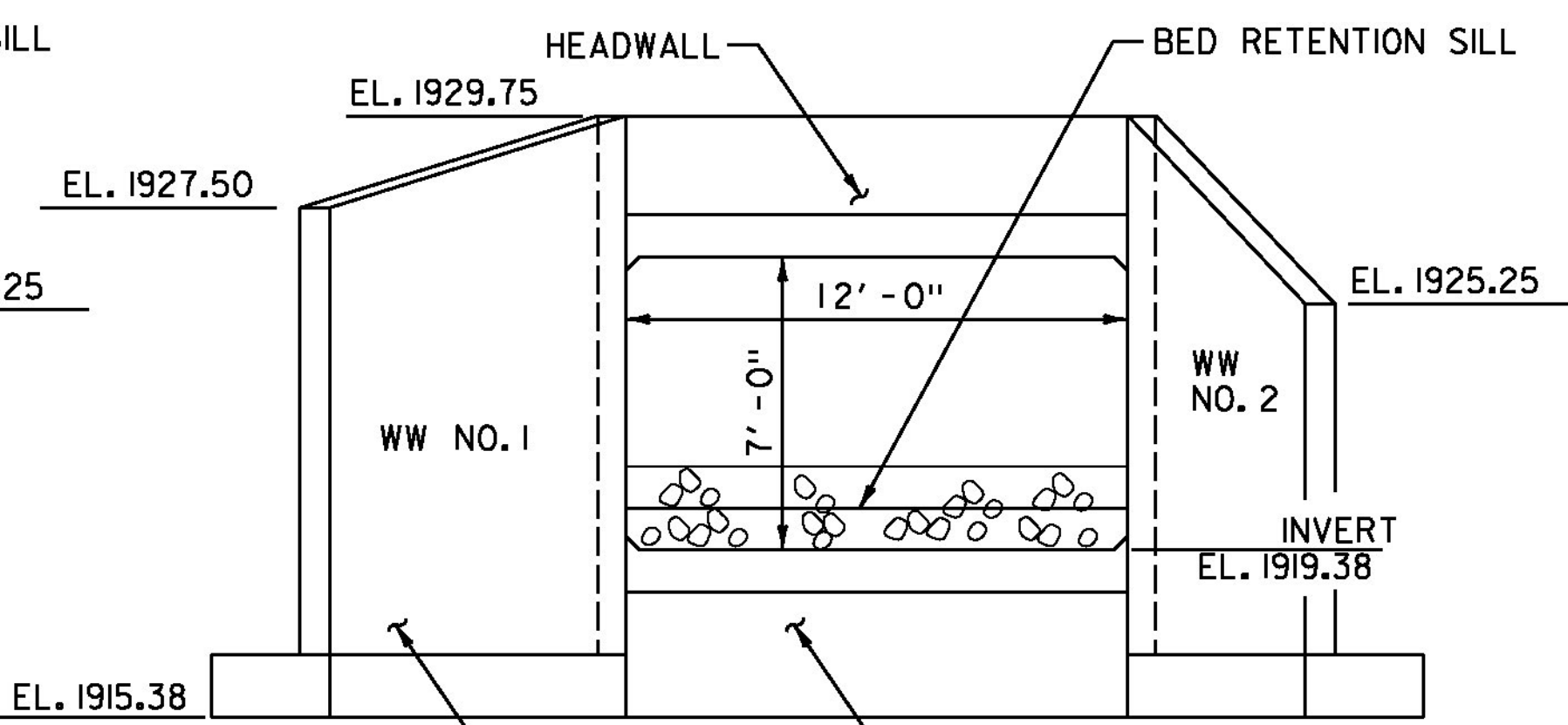


PERMANENT CLOSURE DETAIL  
NOT TO SCALE



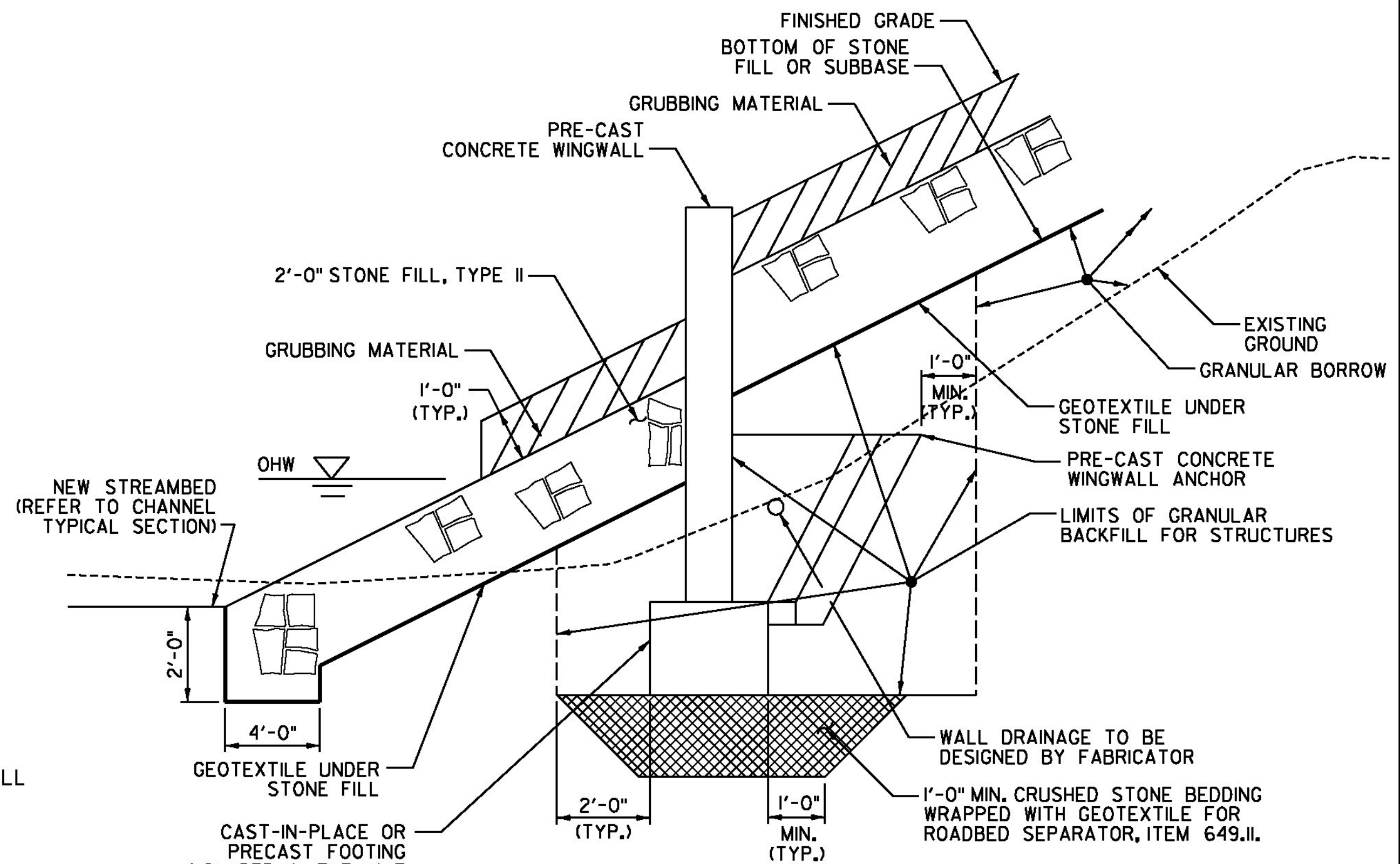
INLET ELEVATION

SCALE: 1/4" = 1'-0"



OUTLET ELEVATION

SCALE: 1/4" = 1'-0"



- NOTES:
- ANCHOR TYPE WALLS SHOWN, OTHER APPROVED WALL SYSTEM MAY BE USED, SEE SPECIAL PROVISIONS.
  - FOR PURPOSES OF ESTIMATING EARTHWORK QUANTITIES, THE LIMITS OF STRUCTURE EXCAVATION HAVE BEEN ASSUMED AS SHOWN ABOVE. ONLY THE EXCAVATION INCLUDED WITHIN THESE LIMITS SHALL BE PAID FOR UNDER ITEM 204.25, "STRUCTURE EXCAVATION". THE CONTRACTOR SHALL DETERMINE THE ACTUAL LIMITS OF STRUCTURE EXCAVATION, PER PRECAST WINGWALL DESIGN.

WINGWALL EARTHWORK SECTION  
NOT TO SCALE

PROJECT NAME:	WINHALL	FILE NAME:	zlib268strpl_br52.dgn	PLOT DATE:	9/25/2014
PROJECT NUMBER:	STP CULV(31)	PROJECT LEADER:	M. CHENETTE	DRAWN BY:	L. BUXTON
		DESIGNED BY:	J. HUNGERFORD	CHECKED BY:	M. CHENETTE
		STRUCTURAL PLAN AND DETAILS - BR52			SHEET 42 OF 60

