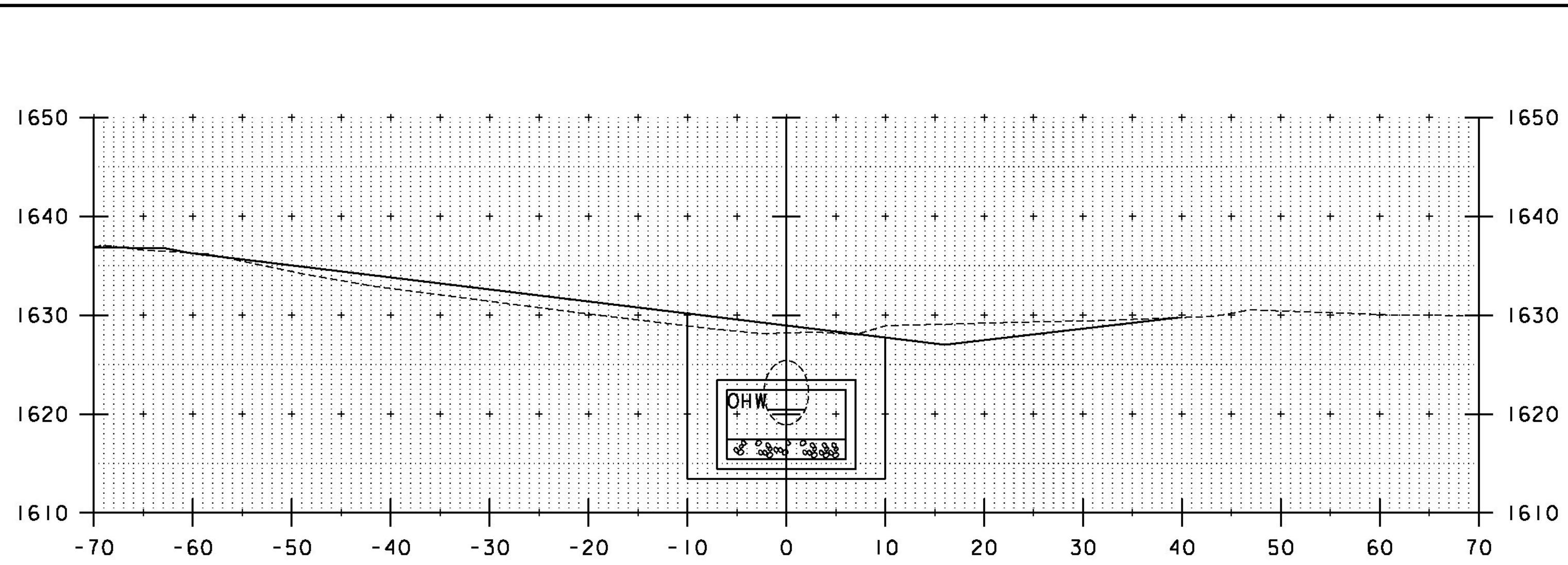
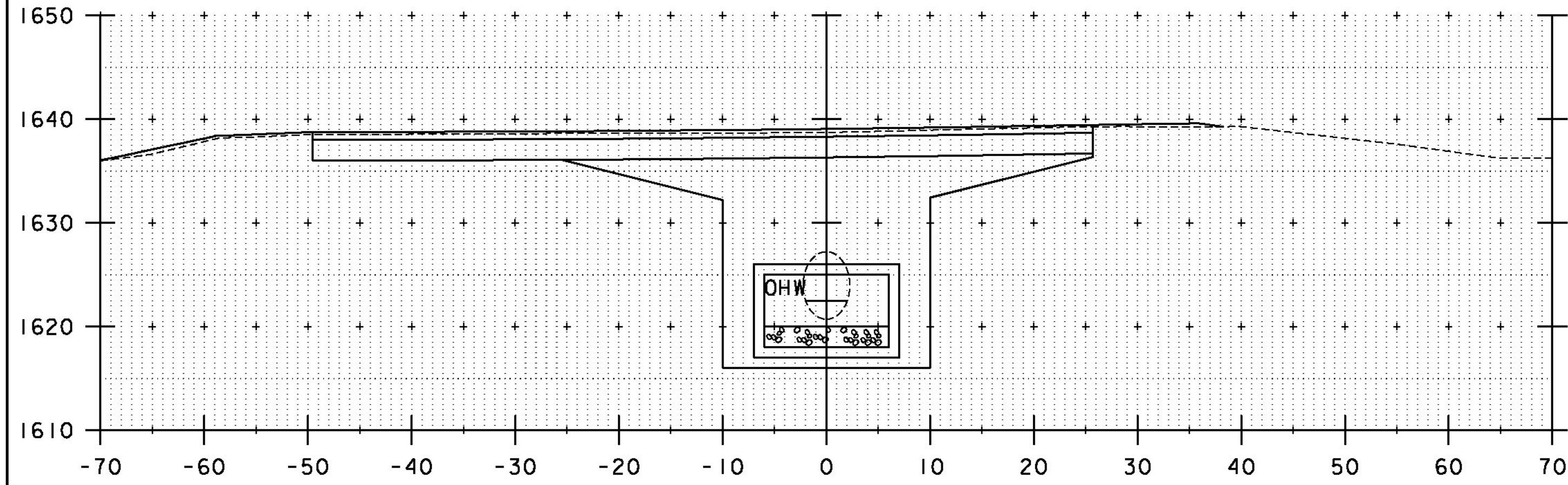


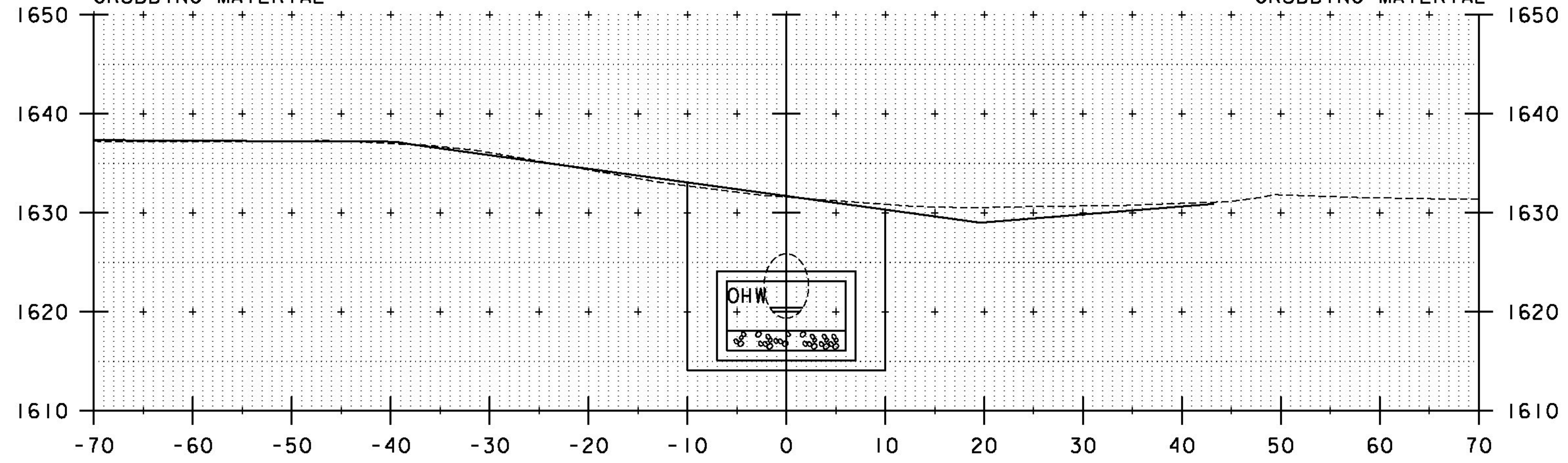
11+50



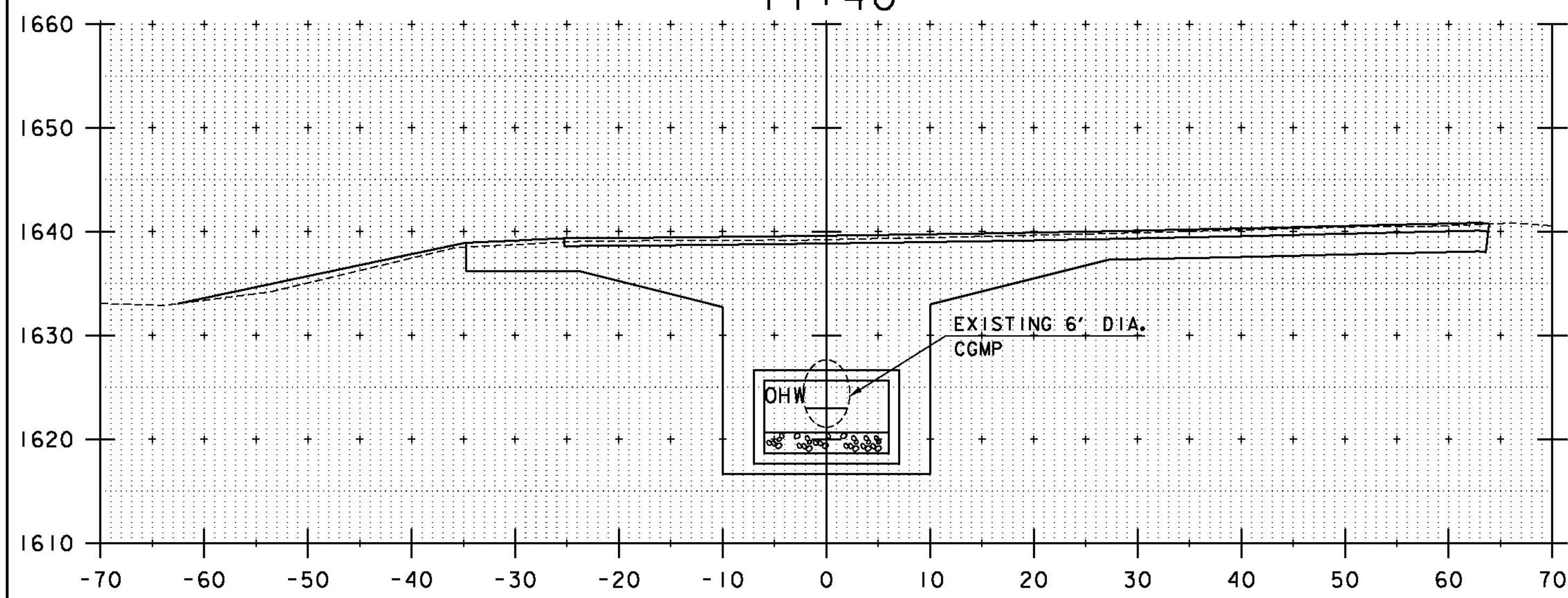
11+80



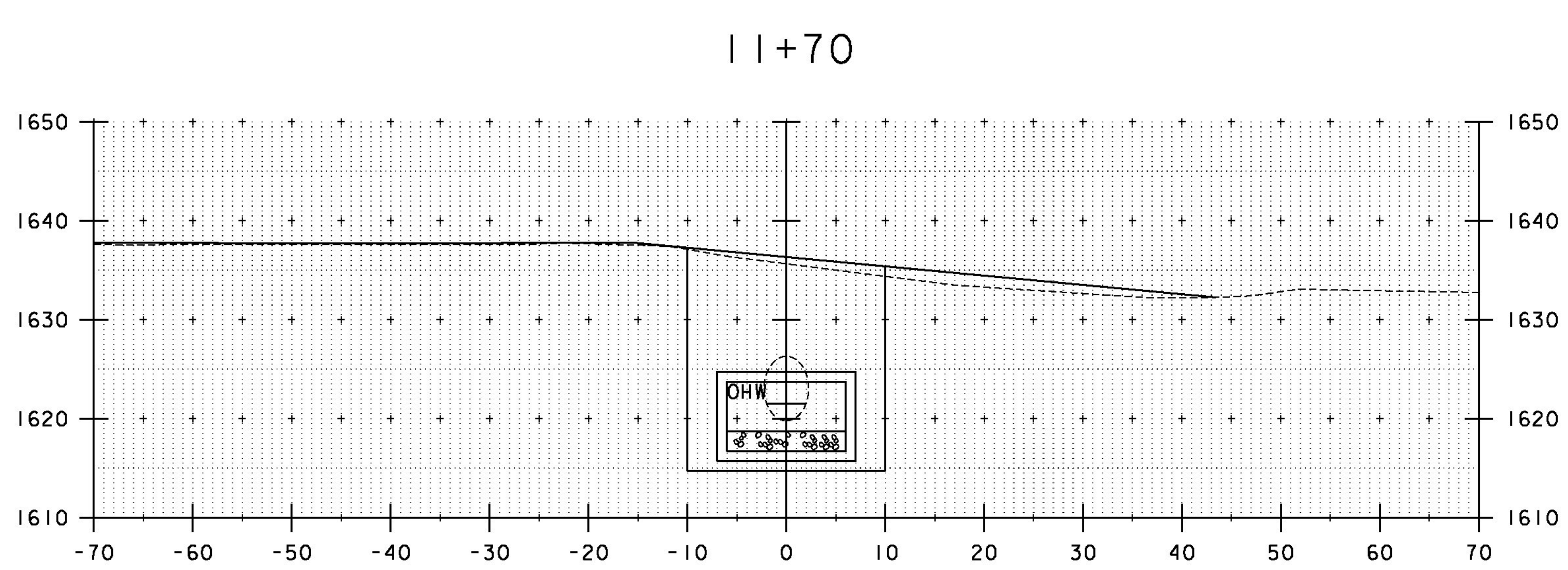
11+40



11+70



11+30



11+60

STA. 11+83 LT
RESUME UNCLASSIFIED CHANNEL EXCAVATION
GEOTEXTILE UNDER STONE FILL
STONE FILL, TYPE III
GRUBBING MATERIAL

STA. 11+83 RT
RESUME UNCLASSIFIED CHANNEL EXCAVATION
GEOTEXTILE UNDER STONE FILL
STONE FILL, TYPE III
GRUBBING MATERIAL

STA. 11+30 TO STA. 11+80

PROJECT NAME: WINHALL
PROJECT NUMBER: STP CULV(3I)
FILE NAME: z11b268xs_br47.dgn
PROJECT LEADER: M. CHENETTE
DESIGNED BY: J. HUNGERFORD
CHANNEL CROSS SECTIONS - CXS3 - BR47

PLOT DATE: 9/25/2014
DRAWN BY: L. BUXTON
CHECKED BY: M. CHENETTE
SHEET 28 OF 60

