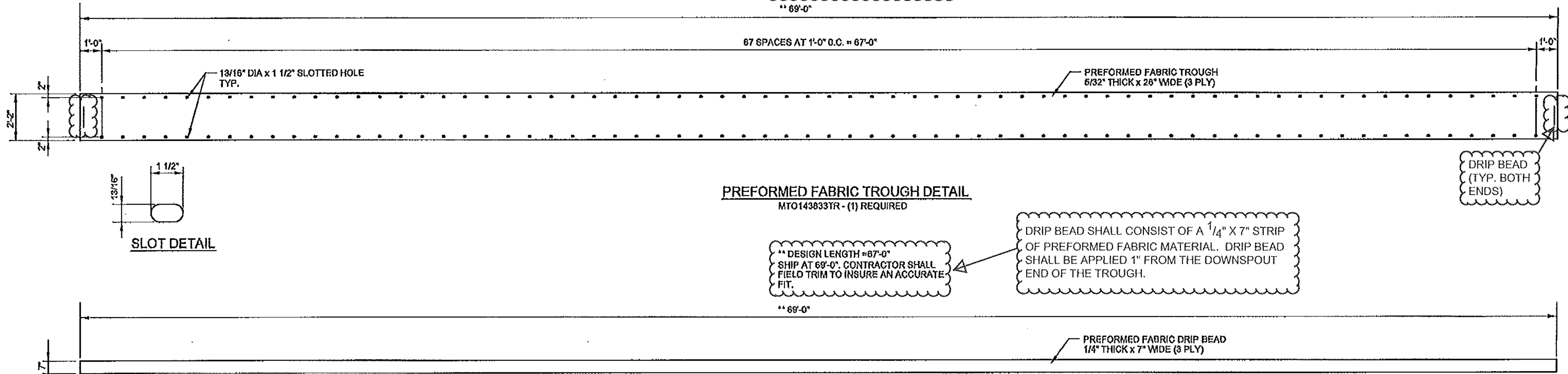


G:\Engineer\WBA Projects\143833-T Buck-Woodford ER BHF\030-Drawings\B3008504.dwg, 8/21/2012 11:12:04 AM

\*\* DESIGN LENGTH = 67'-0"  
SHIP AT 69'-0". CONTRACTOR SHALL  
FIELD TRIM TO INSURE AN ACCURATE  
FIT.  
\*\* 69'-0"

TROUGH SHALL EXTEND 6"  
BEYOND THE STEEL BARS.  
TROUGH LENGTH IS THEREFORE  
68'-0". FIRST SLOTTED HOLE  
WILL BE 1'-6" FROM END OF TROUGH.

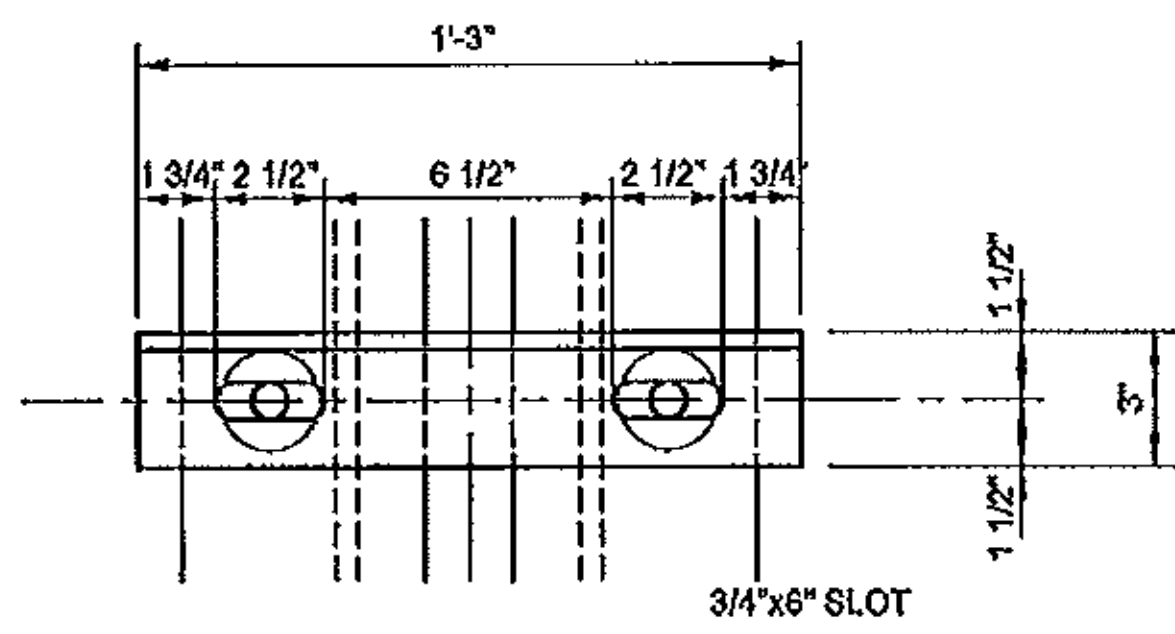


**PREFORMED FABRIC TROUGH DETAIL**  
MTO143833TR - (1) REQUIRED

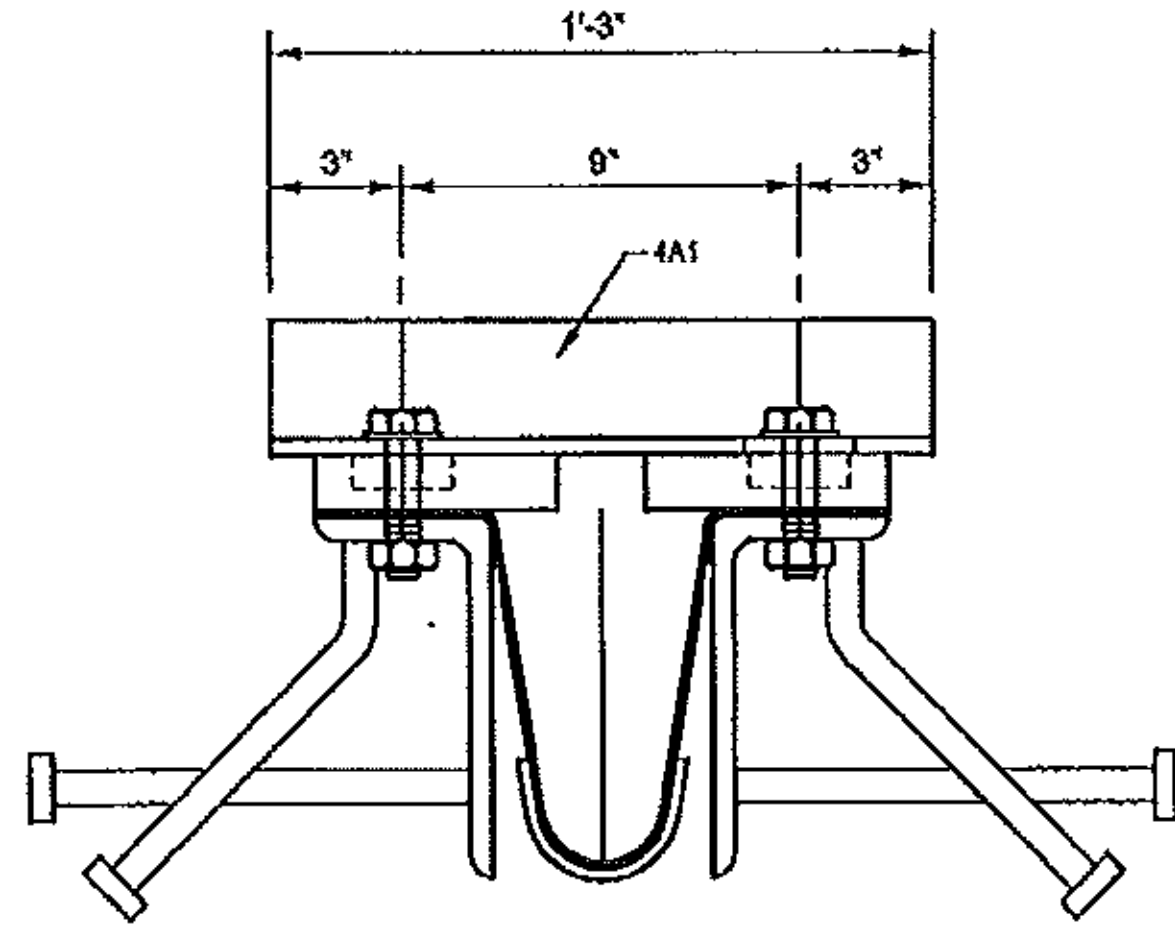
\*\* DESIGN LENGTH = 67'-0"  
SHIP AT 69'-0". CONTRACTOR SHALL  
FIELD TRIM TO INSURE AN ACCURATE  
FIT.  
\*\* 69'-0"

DRIP BEAD SHALL CONSIST OF A 1/4" X 7" STRIP  
OF PREFORMED FABRIC MATERIAL. DRIP BEAD  
SHALL BE APPLIED 1" FROM THE DOWNSPOUT  
END OF THE TROUGH.

**PREFORMED DRIP BEAD DETAIL**  
MTO143833DB - (1) REQUIRED



DETAIL - ANGLE (4A1)



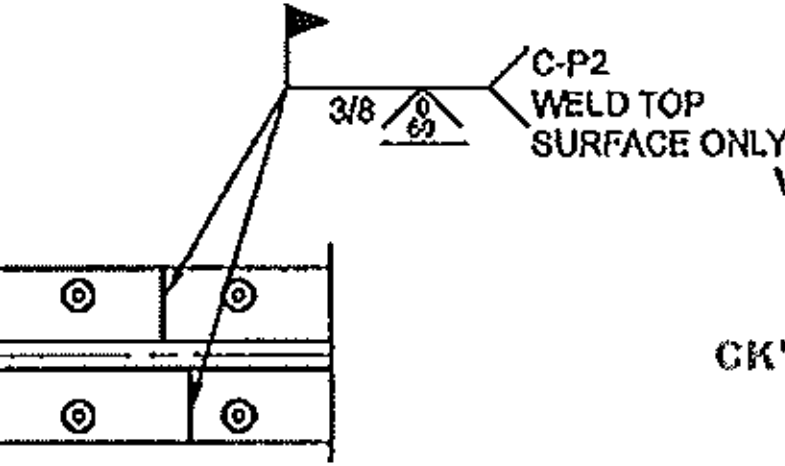
SHIPPING CLAMP ASSEMBLY  
THIS IS A TEMPORARY DEVICE

- NOTE: 1. SHIPPING CLAMPS SHALL BE SPACED 1'-0" FROM END OF JOINT AND 4'-0" O.C. THEREAFTER.
2. THE CONTRACTOR IS TO REMOVE THE SHIPPING CLAMPS WHEN THE JOINT IS SET. CONTRACTOR SHALL TOUCH UP ANY DAMAGED GALVANIZING.
3. EACH SHIPPING CLAMP ASSEMBLY SHALL INCLUDE:  
1 - ANGLE (4A1) 3" x 3" x 1/2"  
2 - 3/4" x 3 1/2" LG FULLY THREADED BOLT  
2 - 3/4" WASHER



SHOP WELD  
1 1/4" x 5" BAR

SHOP WELD  
8" x 4" x 1/2" ANGLE



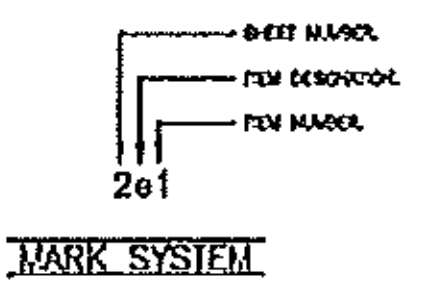
FIELD WELD  
1 1/4" x 5" BAR

Vermont Agency of Transportation  
**RECEIVED**

CK'D BY M.E.M. OK'D BY C.W.M.  
08/21/2012

RESUBMIT APPROVED AS NOTED  
BY C. CARLSON DATE 09/07/2012

~~Vermont Agency of Transportation  
**RECEIVED**  
CK'D BY M.E.M. OK'D BY C.W.M.  
Aug. 21, 2012  
RESUBMIT APPROVED ✓  
BY C. CARLSON DATE Sept. 05, 2012  
STATE: VERMONT  
COUNTY: BENNINGTON  
PROJECT NO.: ER BHF 010-1(44)  
REFERENCE NO.: XXXXXXXXXX  
DISTRICT: XXX ROUTE: XXX  
WBA PRODUCT NO.: EMB143833AA~~



MARK SYSTEM

DRAWING ACTION:		DATE	BY
ADDED WELD DETAILS		8-21-2012	JFW

**Watson Bowman Acme**  
PROJECT: WOODFORD  
VT RT 9 BRIDGE NO. 11 OVER ROARING  
BRANCH OF THE WALLOOMSAC RIVER  
WABO PLATE JOINT W/NEOPRENE TROUGH DETAILS

DESIGNED BY	JFW	DATE	8-14-12
DRAWN BY	KF	DATE	8-14-12
SCALE	NTS	SHEET NO.	143833
SHEET NO.	4 OF 5	DRAWING NO.	B-30085