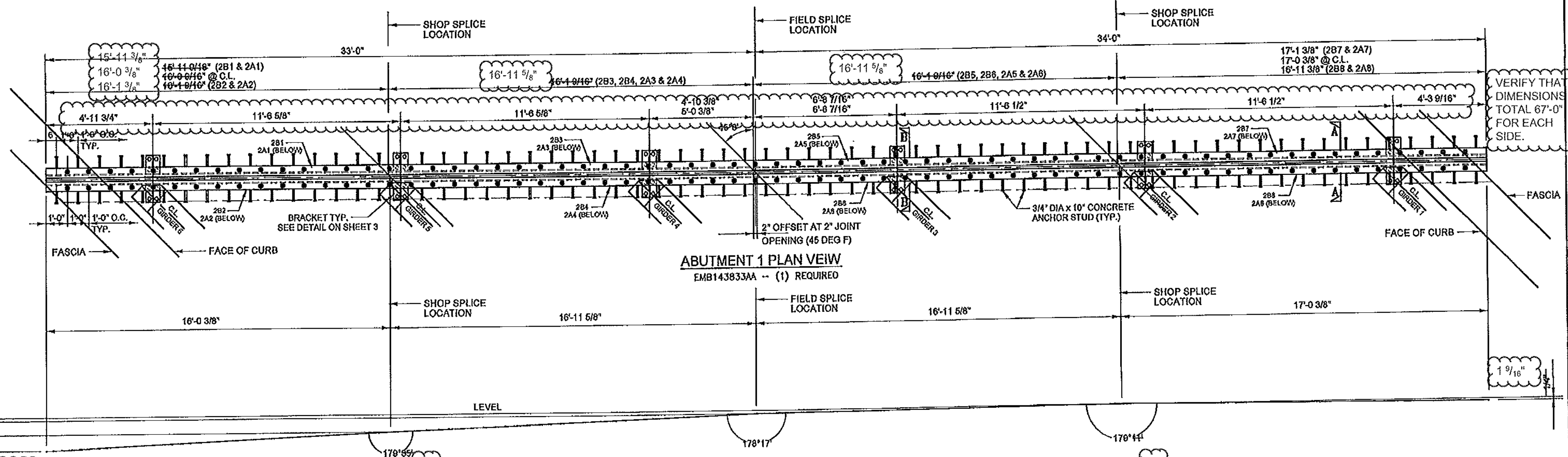


G:\Engineer\WBA Projects\143833-T Buck-Woodford ER BHF\030-Drawings\B3008502.dwg, 8/21/2012 11:11:23 AM



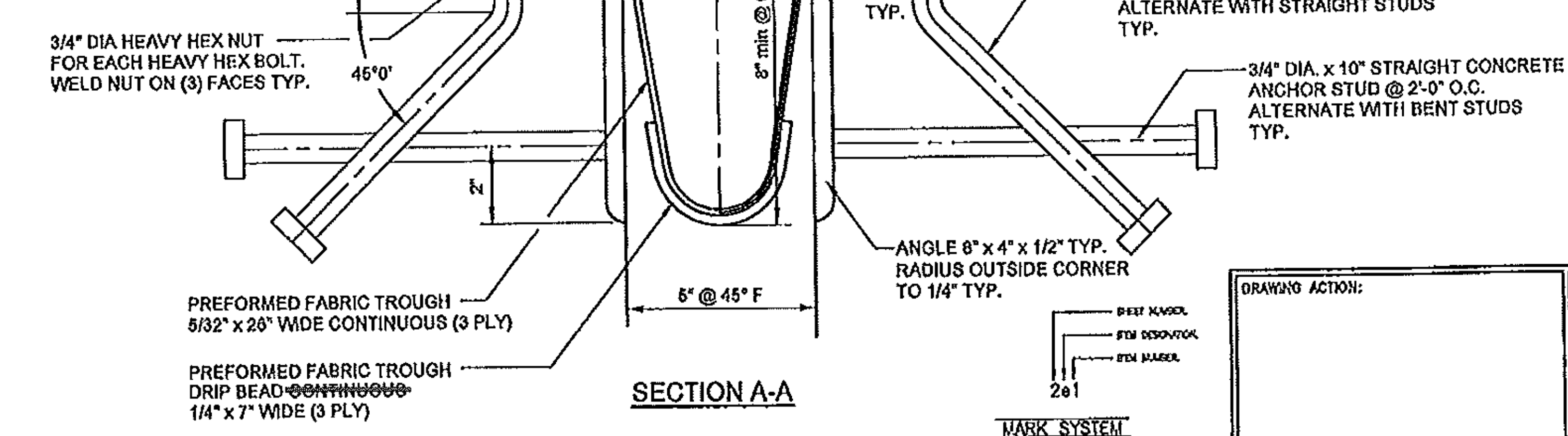
VERIFY THAT DIMENSIONS TOTAL 67'-0" FOR EACH SIDE.

Bar to be supplied in four pieces per side of joint. Maximum length of each piece of bar 17'-1 3/8".

BAR 1 1/4" x 5 1/2" W / 7/8" DIA HOLES @ 1'-0" O.C COUNTERBORED 2 1/4" DIA x 3/4" DEEP. FILL WITH HOT PURED JOINT SEALANT IN ACCORDANCE WITH SUBSECTION 707.04. SEALANT SUPPLIED BY CONTRACTOR.

3/4" DIA x 2 1/2" HEAVY HEX BOLT @ 1'-0" O.C (AASHTO M164 TYPE 1, GALV.) COAT BOLT AND HEX NUT THREADS WITH "NEVER SEIZE" GREASE TYP. NEVER SEIZE SUPPLIED BY CONTRACTOR.

applied during shop assembly of one section of the joint



ABUTMENT 1 EXPANSION JOINT PROFILE
ALL DIMENSIONS SHOWN ARE TAKEN ALONG THE CENTERLINE OF THE EXPANSION JOINT

TEMP.	"A" DIST.
0 DEG F	2 3/8"
15 DEG F	2 1/4"
30 DEG F	2 1/8"
45 DEG F	2"
60 DEG F	1 7/8"
75 DEG F	1 3/4"
90 DEG F	1 5/8"
105 DEG F	1 1/2"

Vermont Agency of Transportation
RECEIVED

CK'D BY M.E.M. OK'D BY C.W.M.
08/21/2012

RESUBMIT APPROVED AS NOTED
BY C. CARLSON DATE 09/07/2012

~~Vermont Agency of Transportation
RECEIVED~~

~~CK'D BY M.E.M. OK'D BY C.W.M.
Aug. 21, 2012~~

~~RESUBMIT APPROVED AS NOTED
BY C. CARLSON DATE 09-05-2012~~

STATE: VERMONT
 COUNTY: BENNINGTON
 PROJECT NO.: ER BHF 010-1(44)
 REFERENCE NO.: XXXXXXXXX
 DISTRICT: XXX ROUTE: XXX
 WBA PRODUCT NO.: EMB143833AA

DRAWING ACTION:

NO.	DESCRIPTION	DATE

Information provided herein, including but not limited to, any drawing, design, photograph, or other data, is the property of Watson Bowman Acme Corporation ("Company"). Reproduction, transmission, or reduction to any electronic medium or machine-readable form, in whole or part, is strictly prohibited, except for the express purpose for which it has been furnished, without prior written consent of Company. All Materials contained herein are provided by Company for information purposes only. Company reserves the right to amend or withdraw any information contained in the Materials without notice. All Intellectual or other rights by Company, whether verbal or written, concerning products, or the use of products in specific situations ("Advice") is given by Company and is used at the User's own risk.

Watson Bowman Acme
WATSON BOWMAN ACME CORPORATION
85 FREDERICK DRIVE, SUITE 200, WOODFORD, VT 05693 TEL: (810) 631-7555 FAX: (810) 631-9229

D-BASF
The Duroc Company

PROJECT: **WOODFORD VT RT 9 BRIDGE NO. 11 OVER ROARING BRANCH OF THE WALLOONSAC RIVER WABO PLATE JOINT W/NEOPRENE TROUGH DETAILS**

DATE	BY
8-14-12	JFW
8-14-12	KF
143833	NTS
2 OF 5	