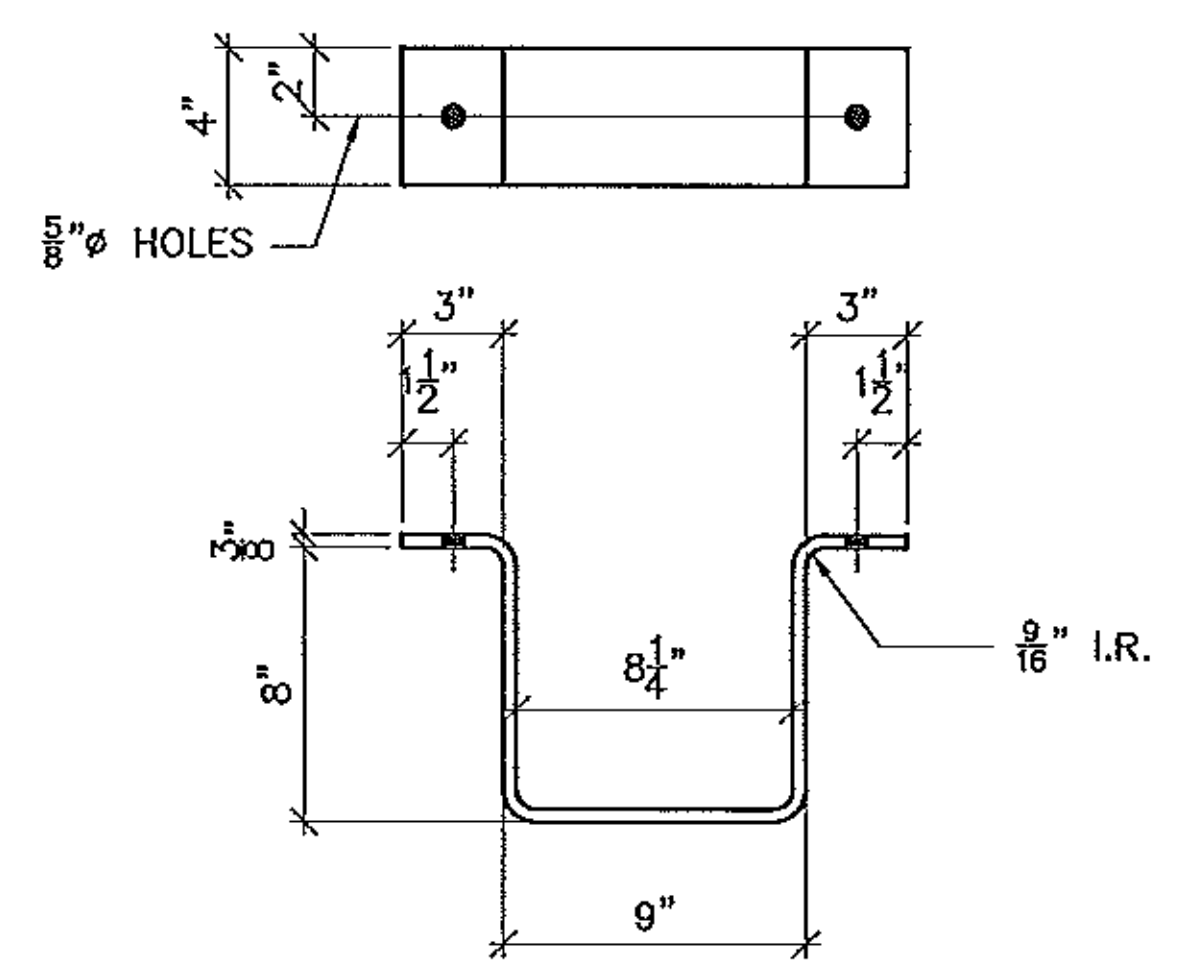
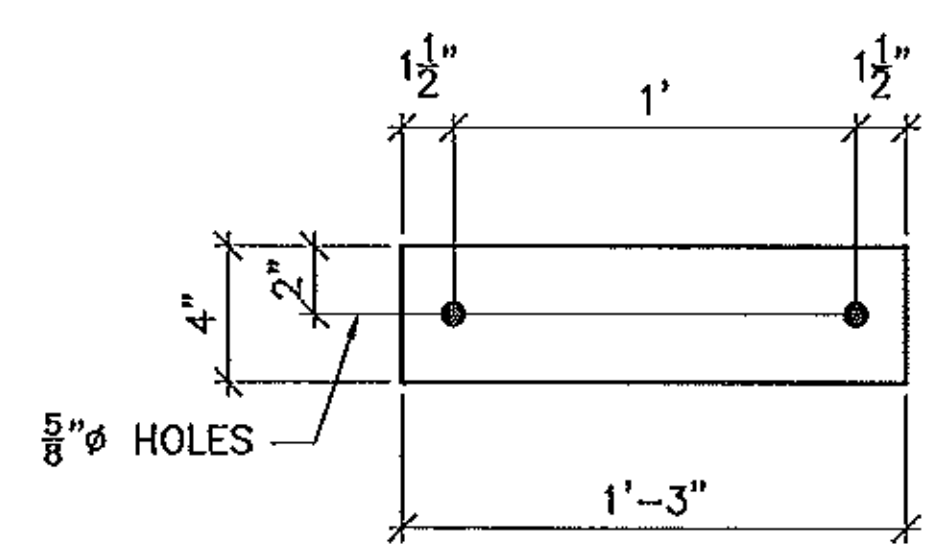


SECTION D-D

ONE REQ'D, DOWNSPOUT "DS1<sup>R</sup>", AS SHOWN  
 ONE REQ'D, DOWNSPOUT "DS1<sup>L</sup>", OPP. HAND



4 REQ'D, 3/8" BRACKET MARK "BR1"



2 REQ'D, 3/8" BRACKET BAR MARK "B1"

BILL OF MATERIAL

SHIP	SHIP MARK	NO. PCS.	PIECE MARK	DESCRIPTION	LENGTH	REMARKS	WT.
2	DST1			DOWNSPOUT			
		2	st1	TS 8X8X 1/2	1'-3 5/8	ASTM A500	59
		2	st2	TS 8X8X 1/2	8'-2 1/8	ASTM A500	257
		2	st3	TS 8X8X 1/2	1'-1	ASTM A500	49
		4	p1	R 1/2X11	1'-0		36
		2	p2	R 1/2X7	0'-11		8
		2	p3	R 1/2X7	0'-4 5/8		5
		2	p4	R 1/2X7	0'-8 1/2		9
4	BR1			R 3/8X4	2'-8		51
2	B1			R 3/8X4	1'-3		13
4	AN1			1/2" ANCHOR BOLT	0'-8	W/N&W	
4	AN2			1/2" ANCHOR BOLT	1'-0	W/N&W	

Vermont Agency of Transportation

**RECEIVED**

CHK'D BY MEM OK'D BY GFR

08/21/2012

RESUBMIT APPROVED AS NOTED

BY C. CARLSON DATE 08/29/2012

FINISH	HOT DIPPED GALVANIZED		
MATERIAL	AASHTO M270 GR. 36/ASTM A500 GR.B		
HOLES	AS NOTED		
ELECTRODES	PER W.P.S.		
WELDS	AS NOTED		
SURFACE PREP	SSPC-SP8	8/21/12	PER APPROVAL JAC
		NO DATE DESCRIPTION	BY



ADVANCED RESOURCES & CONST. ENTERPRISES, INCORPORATED  
 P.O. BOX 120 KINGFIELD, ME. 04947  
 PHONE: (207) 265-2646 - FAX: (207) 265-4054

DRAFTER	JAC	DOWNSPOUT DETAILS	PROJECT NO.
DATE	7/28/12	VERMONT AGENCY OF TRANSPORTATION, TOWN OF WOODFORD	OR BIF 010-(4)
CHECKED	MTD	ADJUTMENT #1 VT JOINT	DWG. NO.
JOB	12-324	G.C. T BUCK CONSTRUCTION, INC.	2