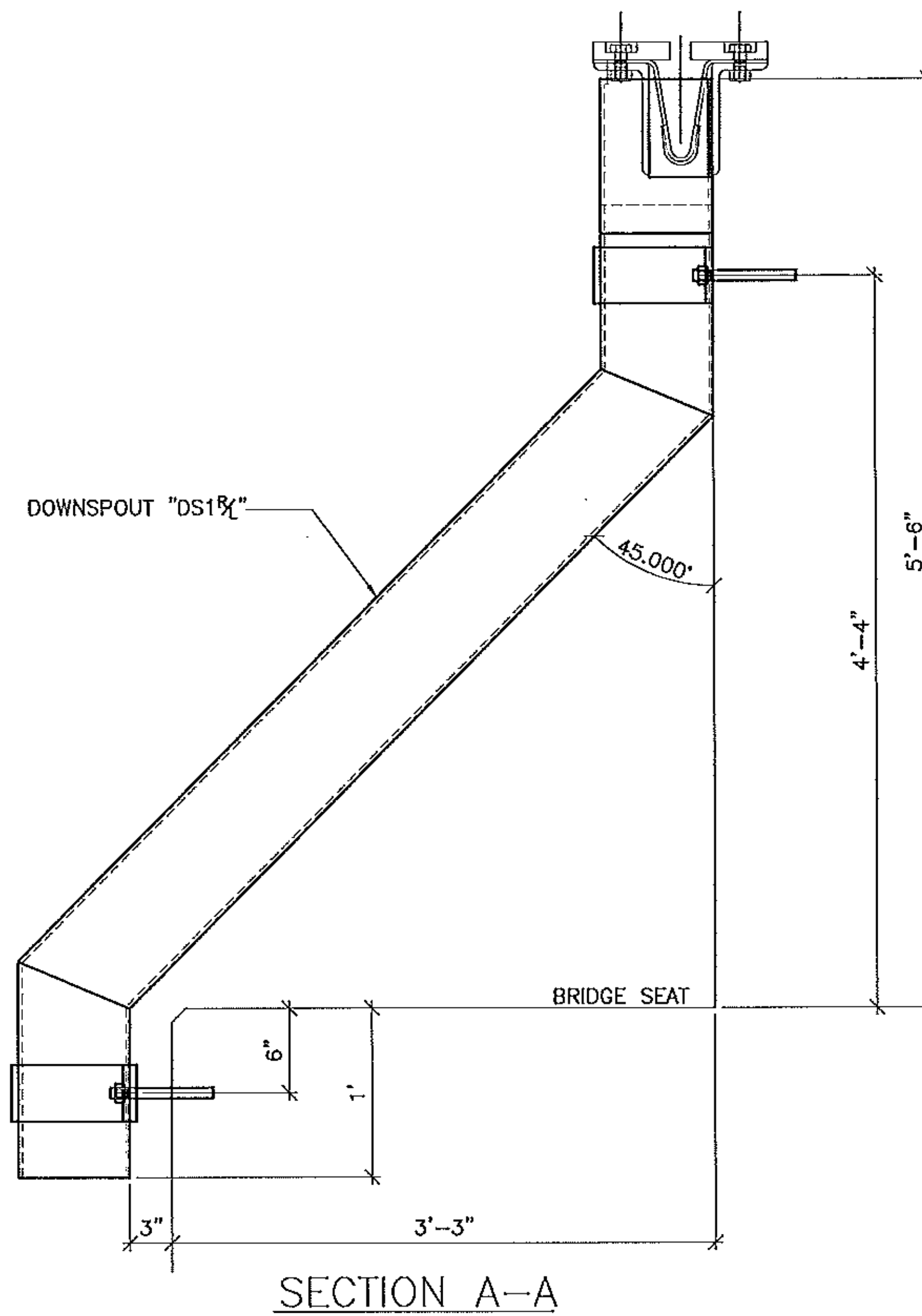
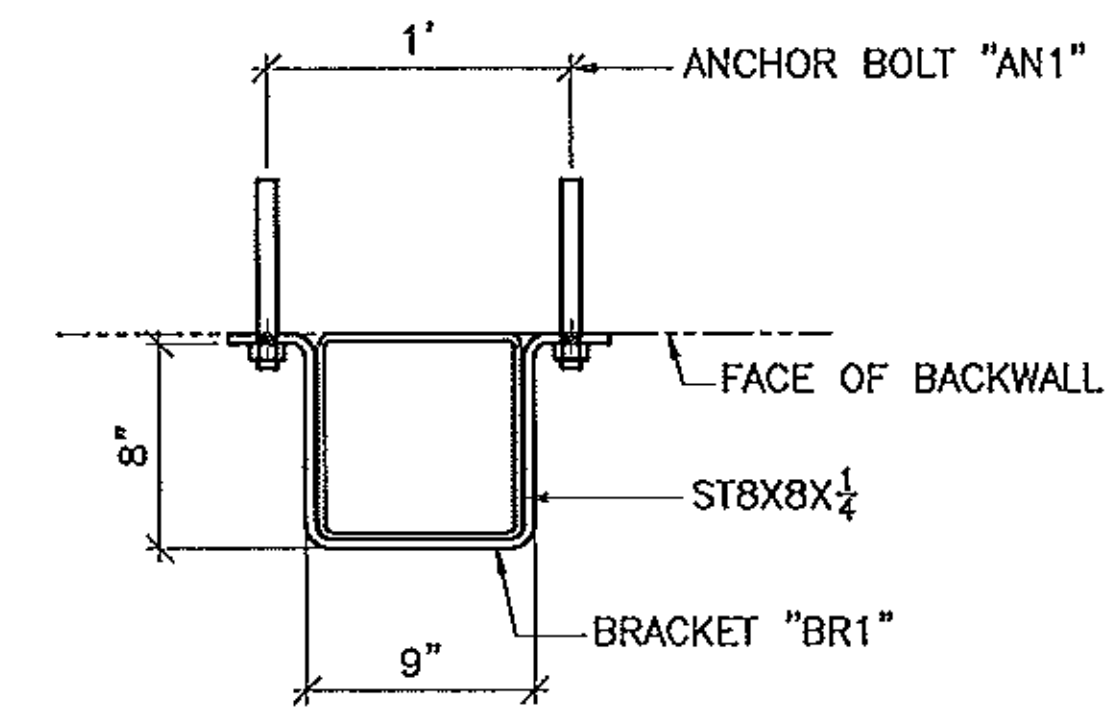


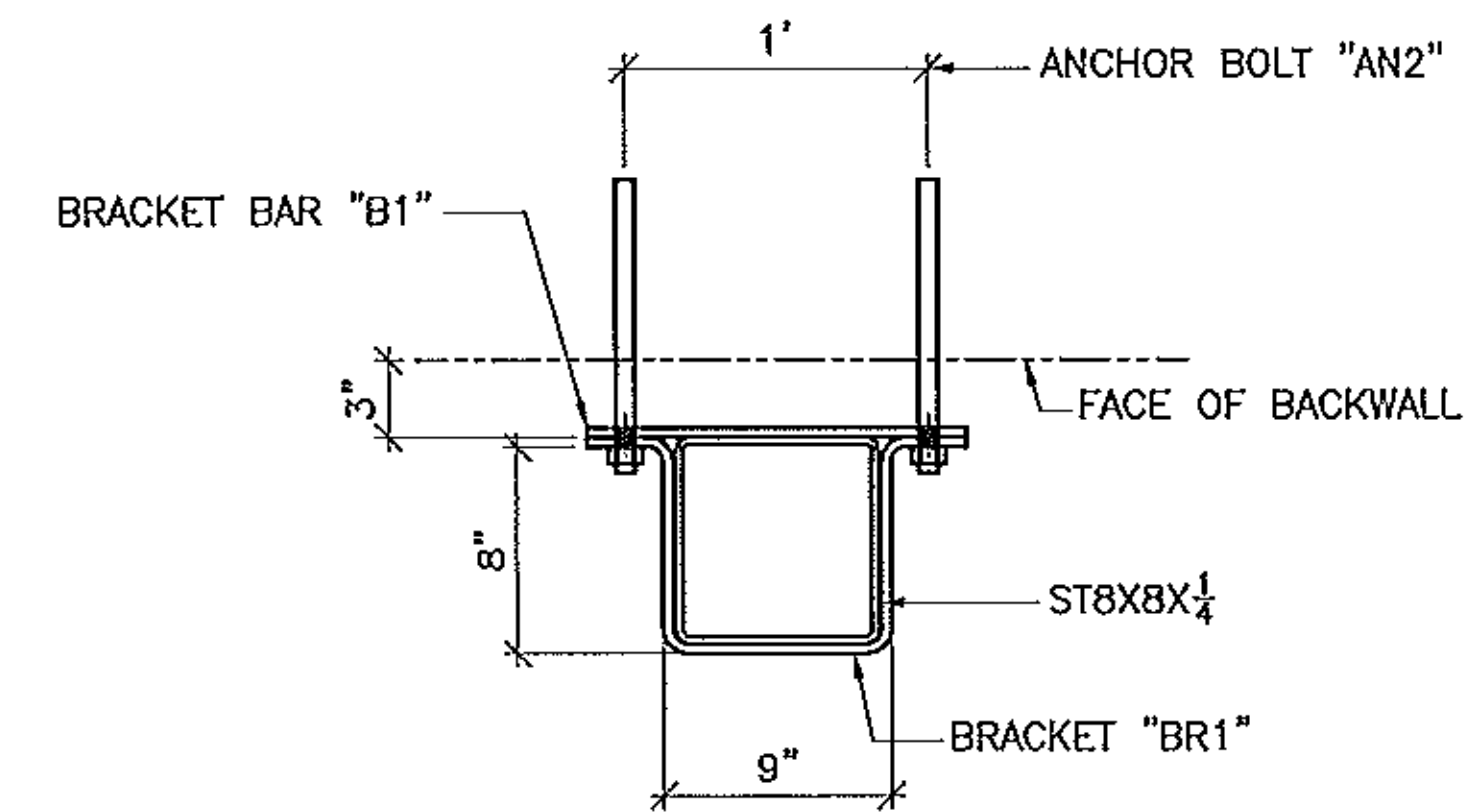
**DOWNSPOUT SIDE ELEVATION**  
(ONE LOCATION AS SHOWN, ONE LOCATION OPP. HAND)



**SECTION A-A**



**SECTION B-B**



**SECTION C-C**

SEE DWG. 2 FOR DETAILS & B.O.M.

Vermont Agency of Transportation  
**RECEIVED**

CK'D BY MEM OK'D BY GFR

08/21/2012

RESUBMIT APPROVED X  
BY C. CARLSON DATE 08/29/2012

FINISH	HOT DIPPED GALVANIZED				
MATERIAL	AASHTO M270 GR. 36/ASTM A500 GR.B				
HOLES	AS NOTED				
ELECTRODES	PER W.P.S.				
WELDS	AS NOTED				
SURFACE PREP	SSPC-SP8				
		NO	DATE	DESCRIPTION	BY
REVISIONS					
		<b>ADVANCED RESOURCES &amp; CONST. ENTERPRISES, INCORPORATED</b> P.O. BOX 120 KINGFIELD, ME. 04947 PHONE: (207) 265-2646 - FAX: (207) 265-4054			
DRAFTER	JWC	DOWNSPOUT ERECTION DETAILS			PROJECT NO.
DATE	7/29/12	VERMONT AGENCY OF TRANSPORTATION, TOWN OF WOODFORD ABUTMENT #1 VI JOINT			OR REF 00-1(4)
CHECKED	MTD	G.C. T BUCK CONSTRUCTION, INC.			DWG. NO.
JOB	12-324				1