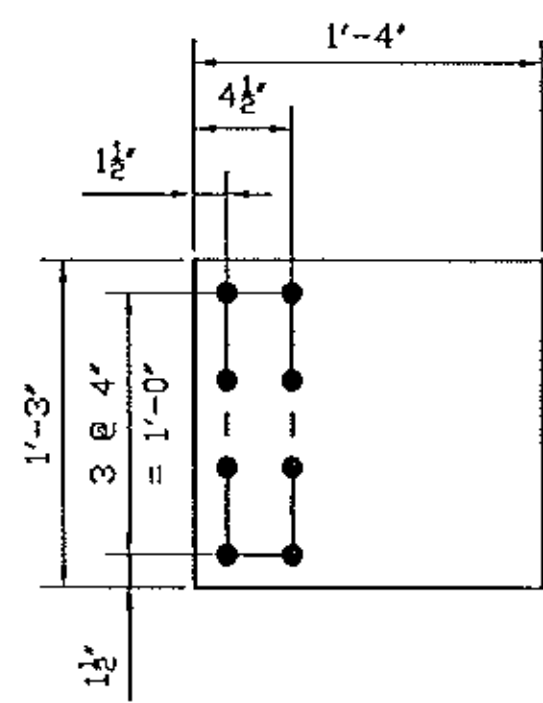
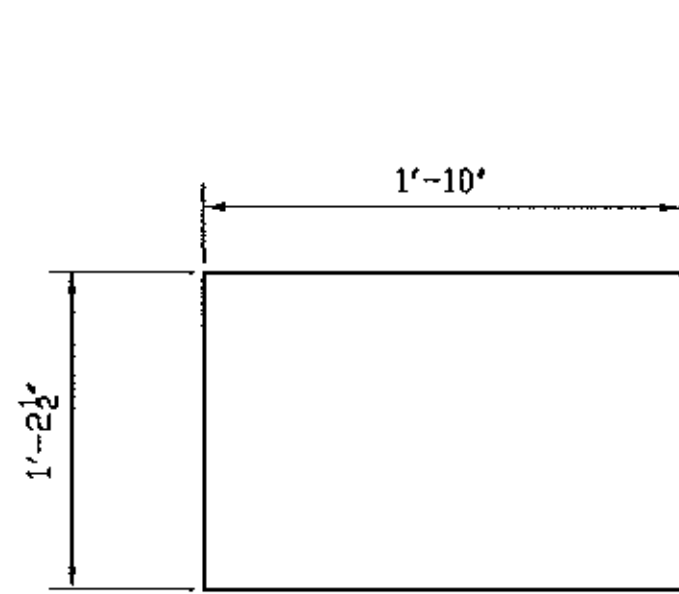


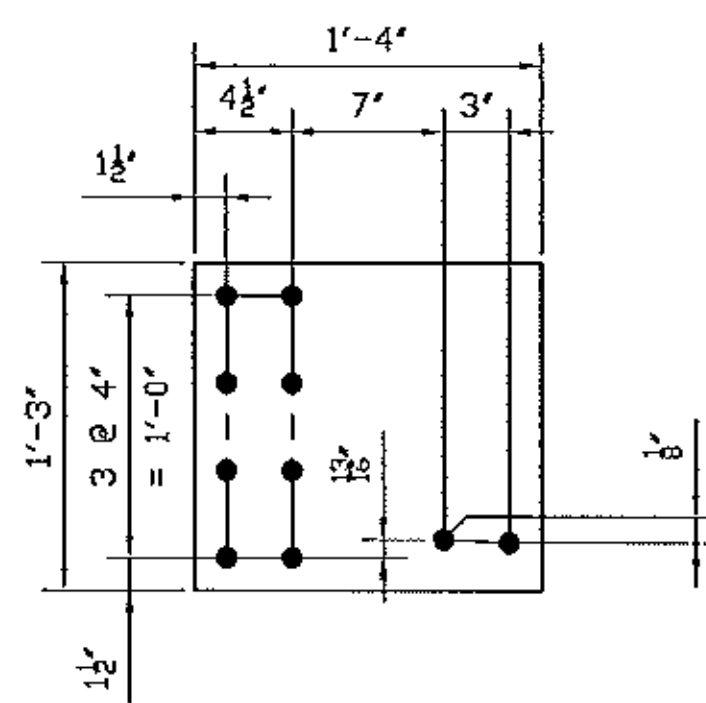
PL1/2x12x1-2 - x102a



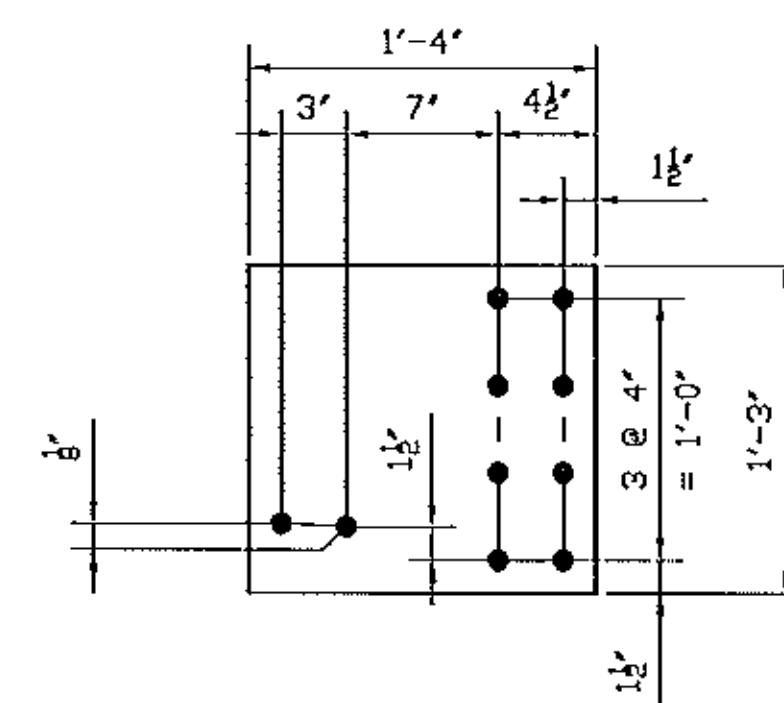
PL1/2x15x1-4 - x102b



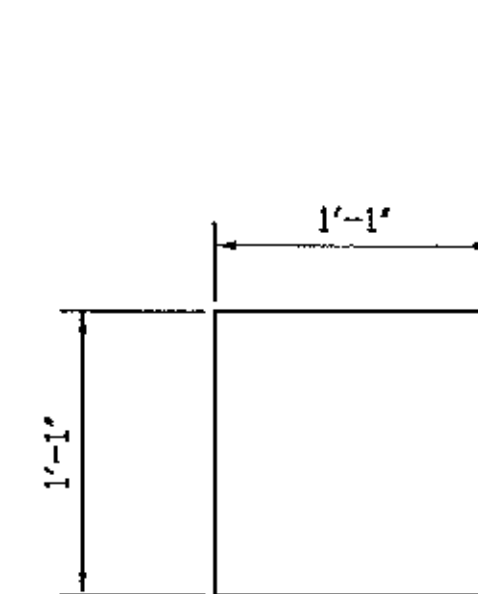
PL1/2x14 1/2x1-10 - x102c



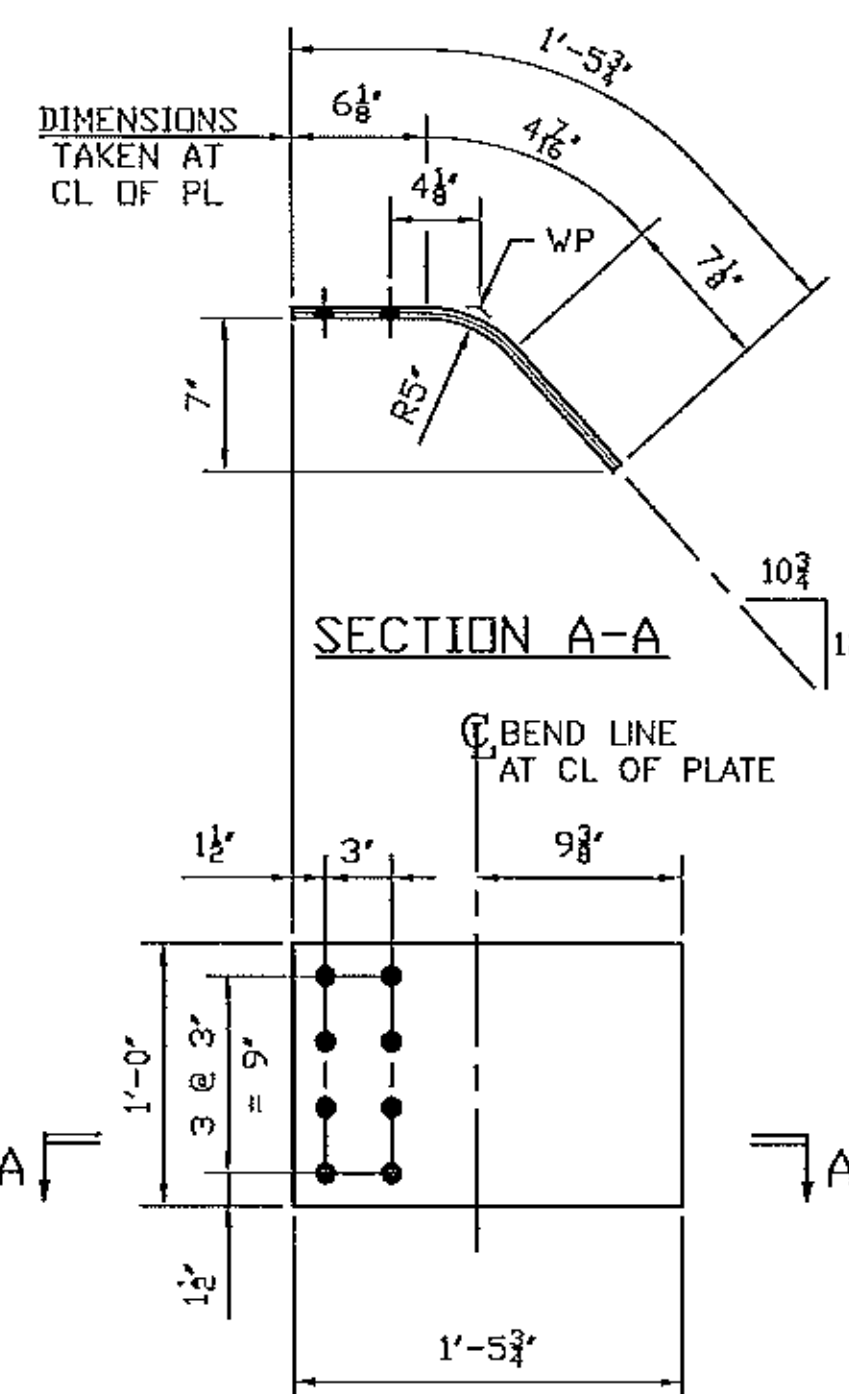
PL1/2x15x1-4 - x102d



PL1/2x15x1-4 - x102e



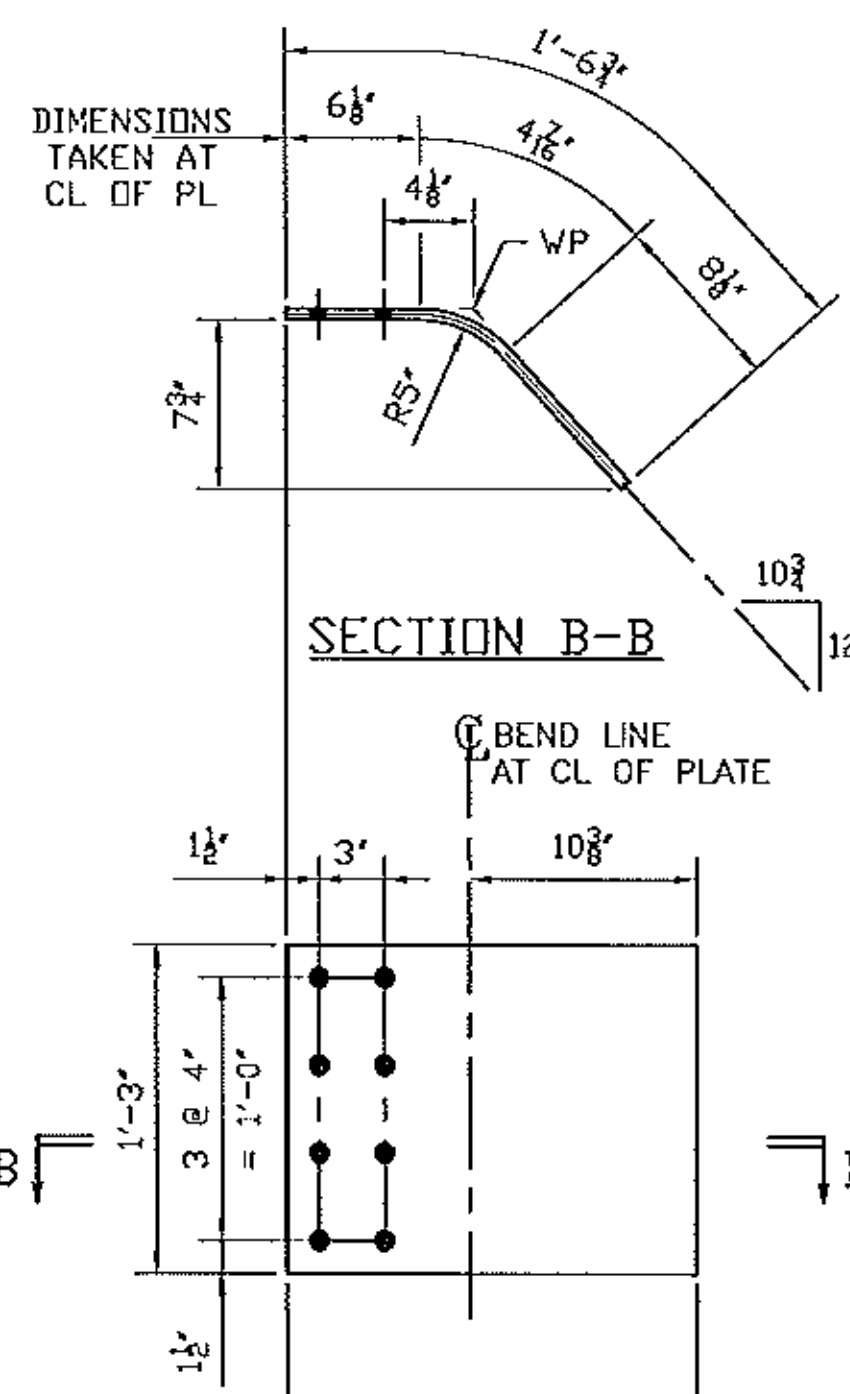
PL1/2x13x1-1 - x102g



PL1/2x12x1-5 3/4 - x102h

(DEVELOPED)

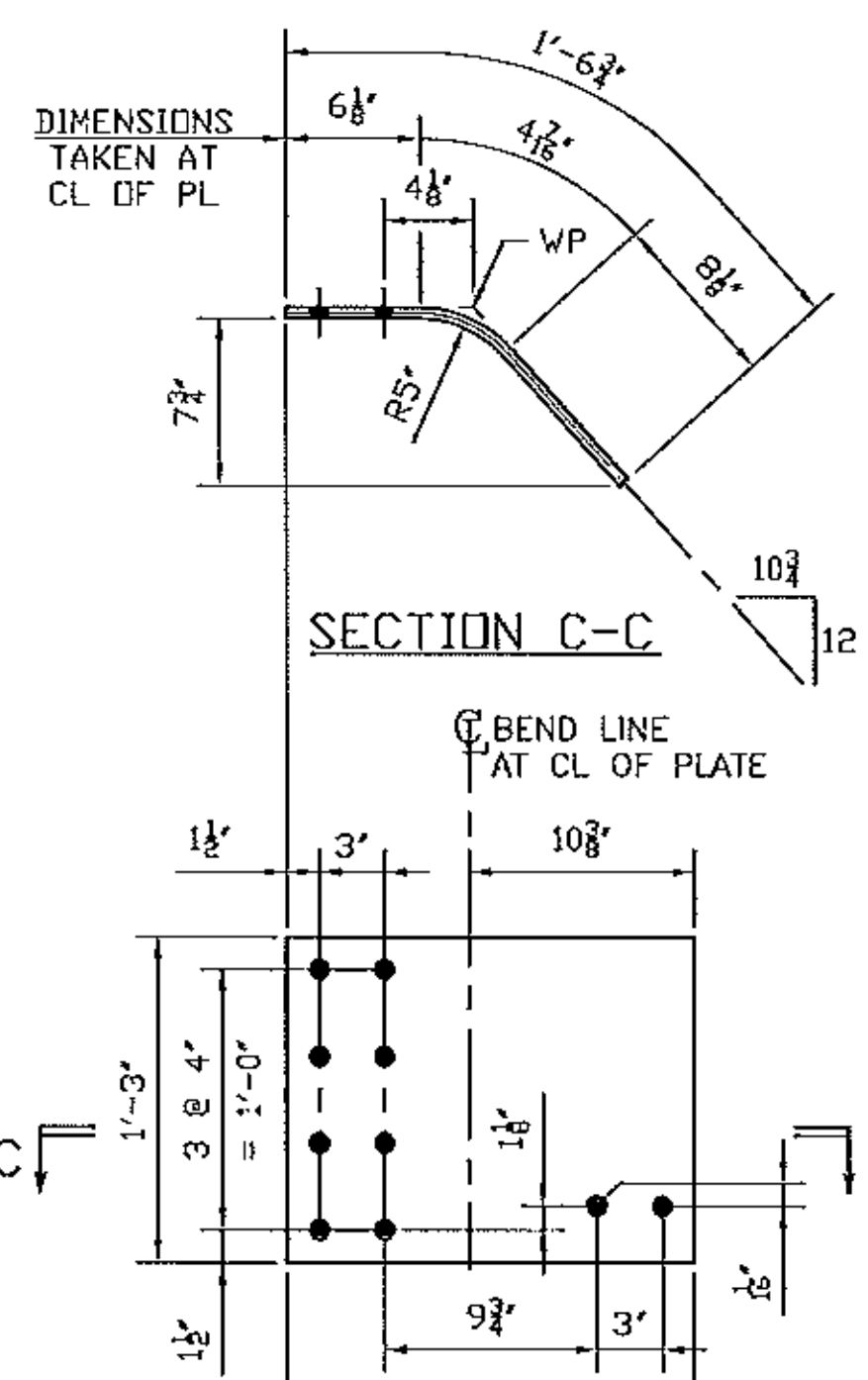
D.O.R.



PL1/2x15x1-6 3/4 - x102k

(DEVELOPED)

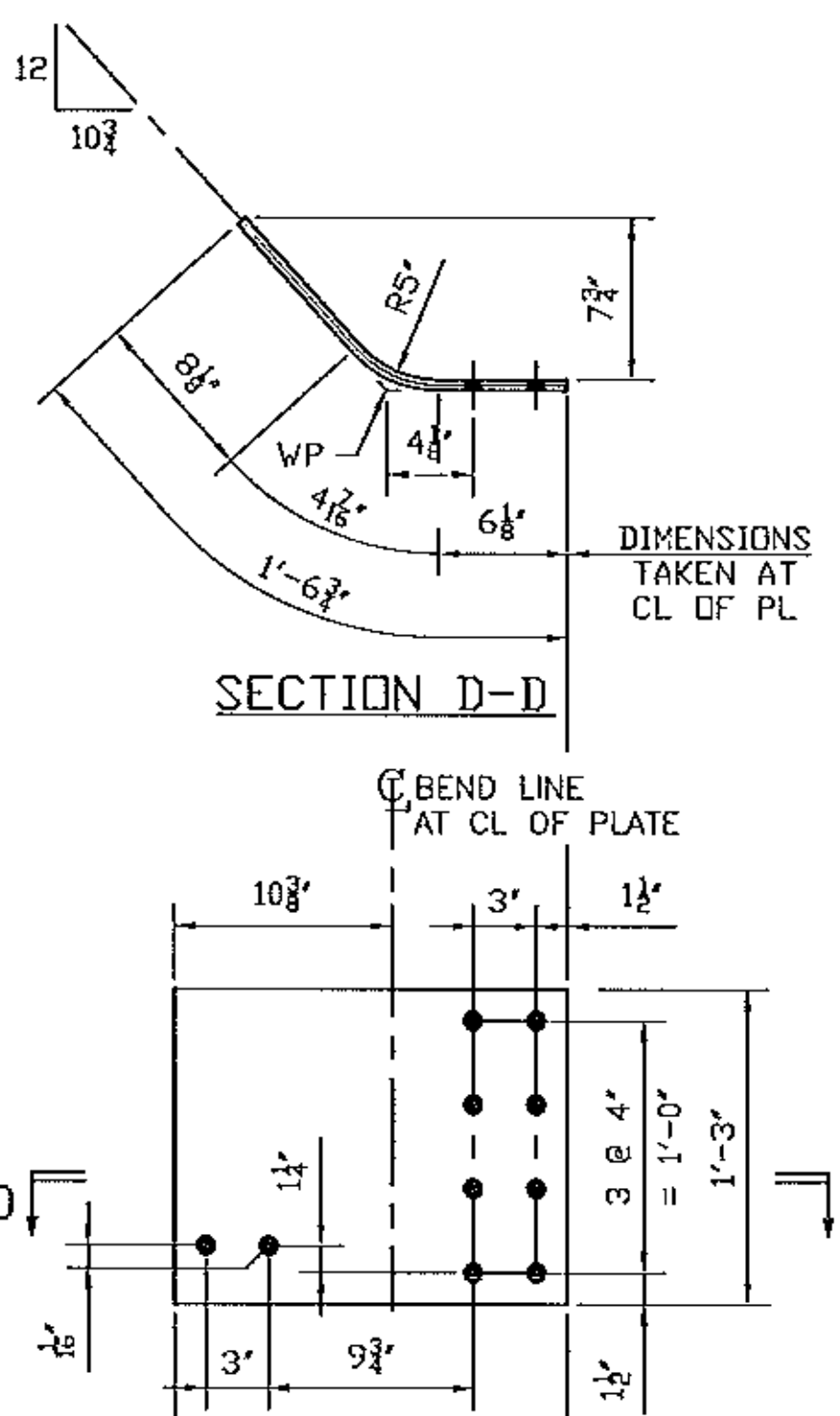
D.O.R.



PL1/2x15x1-6 3/4 - x102m

(DEVELOPED)

D.O.R.



PL1/2x15x1-6 3/4 - x102n

(DEVELOPED)

D.O.R.

GENERAL NOTES: SEE GN100
 HOLES: 15/16 (U.N.)
 CLEANING AND PAINTING: SEE SHEET P100 AND P101

No	FOR APPROVAL	07/06/12	BR	EG
	REVISION	DATE	PAR	VER.

NOTE: BOLT 1 WASHER: 1 WASHER UNDER NUT U.N.
 BOLT 2 WASHER: 1 WASHER UNDER HEAD U.N.
 1 WASHER UNDER HEAD U.N.



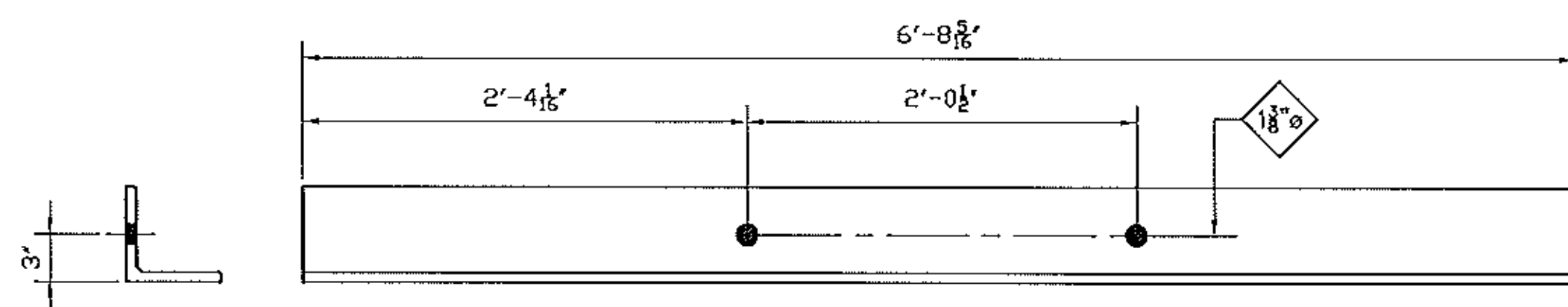
PROJECT: VT RT 9, BRIDGE NO. 11
 TOWN OF WOODFORD, VT
 OVER WALDOMSAC RIVER

TITLE: CROSSFRAME DETAILS

REFERENCE: PROJECT NO. ER BHF 010-1 (44)

DESIGN BY	BR	DATE	JULY 2012	CONTRACT NO.	UN04260
CHECKED BY	GG	DATE	JULY 2012	ISSUE NO.	X102 A

Vermont Agency of Transportation
RECEIVED
 CK'D BY M.E.M. OK'D BY C.W.M.
 July 09, 2012
 RESUBMIT APPROVED ✓
 BY C. CARLSON DATE 07-27-2012



L6x6x5/8x6-8 15/16 - x102p