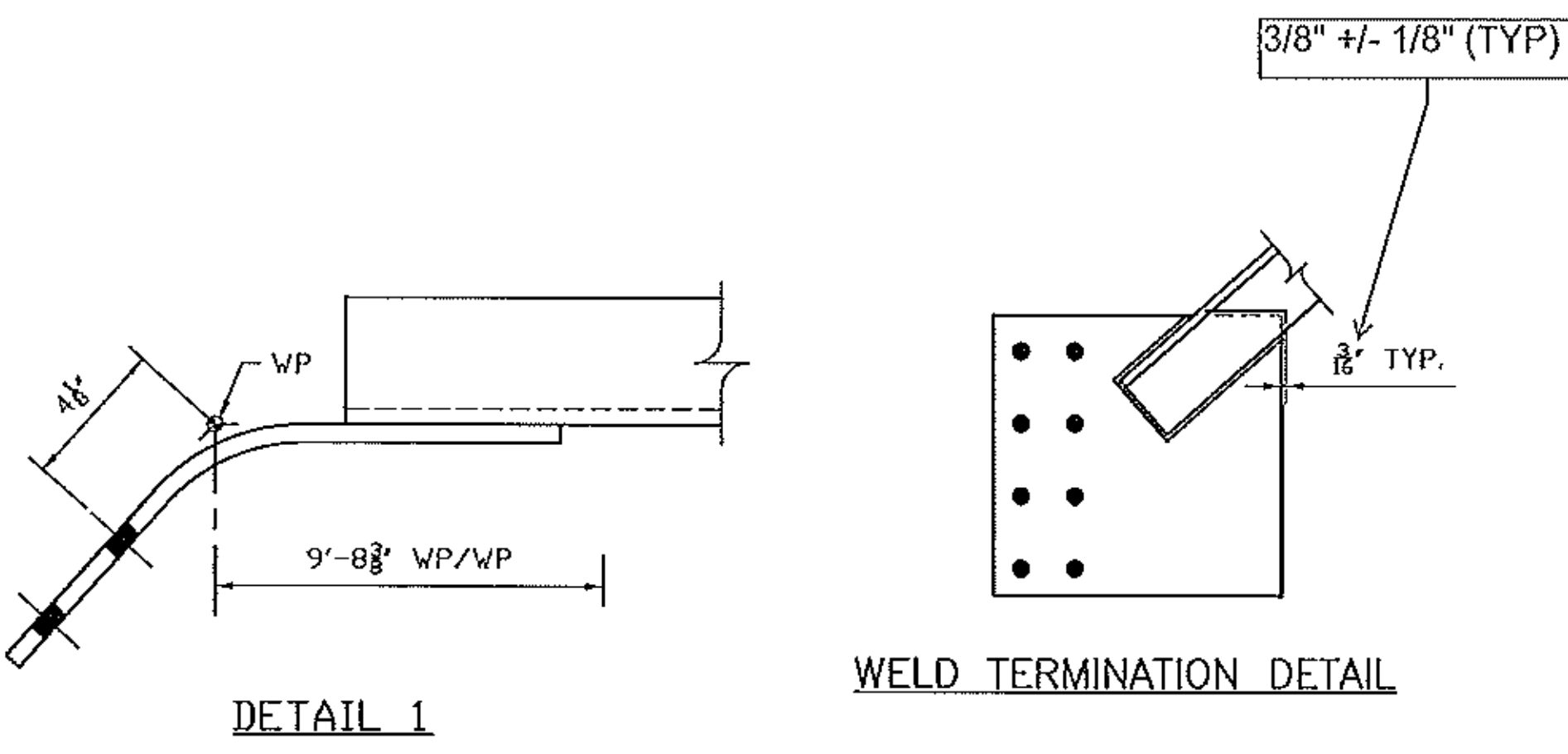


ONE - CROSS FRAME 116CF1 PAINTED

GENERAL NOTES: SEE GN100
 HOLES: 15/16 (U.N.)
 CLEANING AND PAINTING: SEE SHEET P100 AND P101

No	REVISION	DATE	PAR	VER.

See standard specification 506.24(a)(9), no payment will be made for bolts, nuts, washers, they are considered to be incidental



BILL OF MATERIAL										
Mark	Qty.	Description	SI	Length	Remark	ABM	Total	Seq	Qty	
			Grd				Weight		/Seq	
▲ 116CF1	ONE	CROSS FRAME					497	523	1	
▲ 116CF1	1	CROSS FRAME		10-7 7/8	PAINT					
▲ LA116	1	L6x6x5/8	A70950W	9-1 1/8		103-1	220			
▲ LB116	1	L4x4x1/2	A70950W	3-5 1/4		103-3	44			
▲ LC116	1	L4x4x1/2	A70950W	3-6 1/16		103-3	45			
▲ x102g	2	PL1/2x13	A70950W	1-1		103-5	48			
▲ x102h	2	PL1/2x12	A70950W	1-5 3/4	BENT	103-4	60			
▲ x102m	1	PL1/2x15	A70950W	1-6 3/4	BENT	103-4	40			
▲ x102n	1	PL1/2x15	A70950W	1-6 3/4	BENT	103-4	40			
▲ FB		FIELD BOLTS								
▲ 78F212	32	.7/8 Dia A325 TYP3		2 1/2	1FL WASH					
▲ 116CF2	1	CROSS FRAME					84	87	1	
▲ 116CF2	1	L3x3x1/2	A70950W	8-11 1/8	PAINT	103-2	84			
▲ FB		FIELD BOLTS								
▲ 78F212	4	.7/8 Dia A325 TYP3		2 1/2	1FL WASH					

Vermont Agency of Transportation
RECEIVED
 CK'D BY M.E.M. OK'D BY C.W.M.
 July 09, 2012
 RESUBMIT APPROVED AS NOTED
 BY C. CARLSON DATE 07-27-2012

NOTE: BOLT 1 WASHER: 1 WASHER UNDER NUT U.N.
 BOLT 2 WASHER: 1 WASHER UNDER HEAD U.N.
 1 WASHER UNDER HEAD U.N.



PROJECT: VT RT 9, BRIDGE NO. 11 TOWN OF WOODFORD, VT OVER WALDOMSAC RIVER

TITLE: ABUTMENT CROSS FRAME

REFERENCE: PROJECT NO. ER BHF 010-1 (44)

DATE	BY	DATE	BY	DATE	BY
BR	JULY 2012	UN04260			
GG	JULY 2012	116			