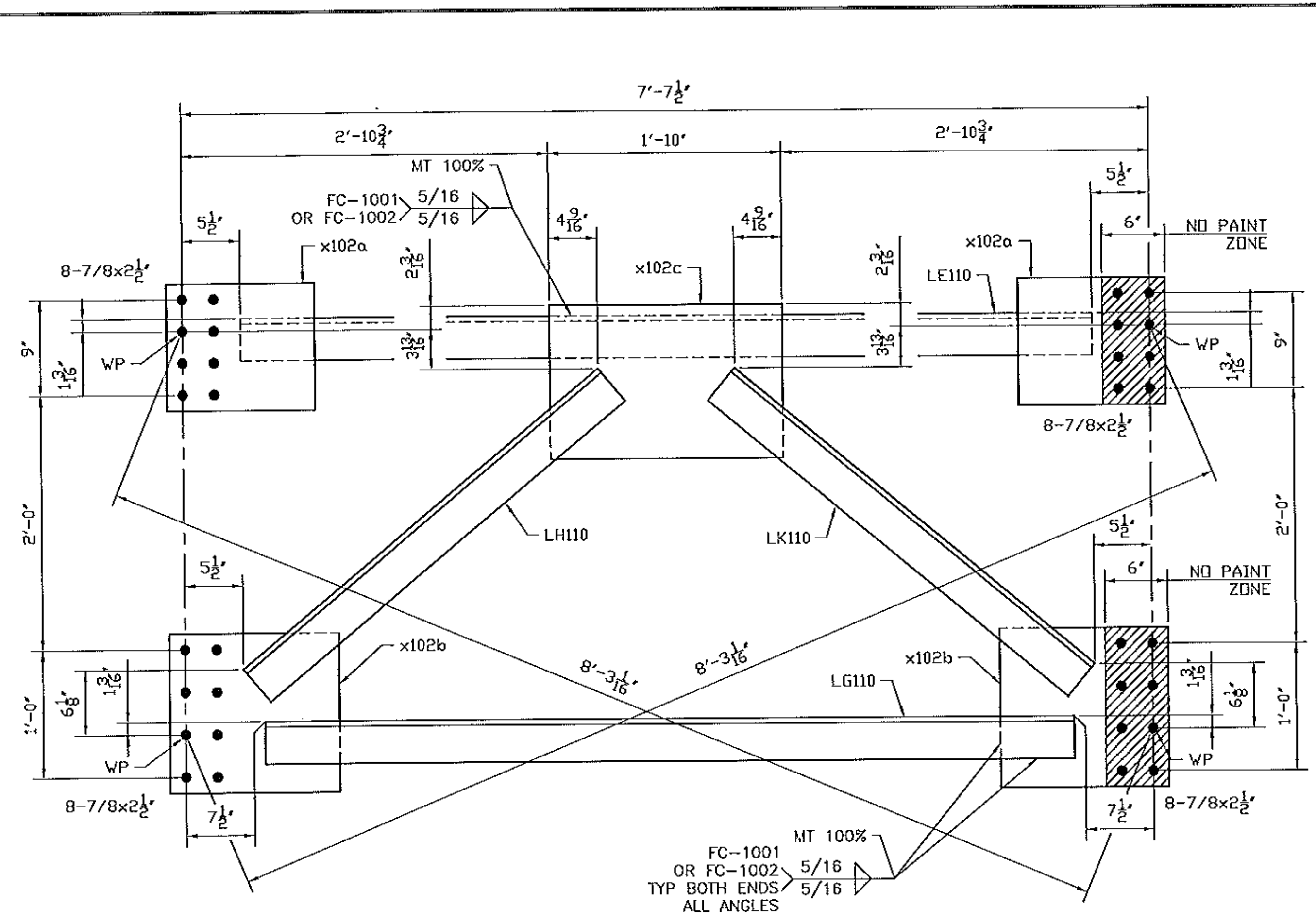
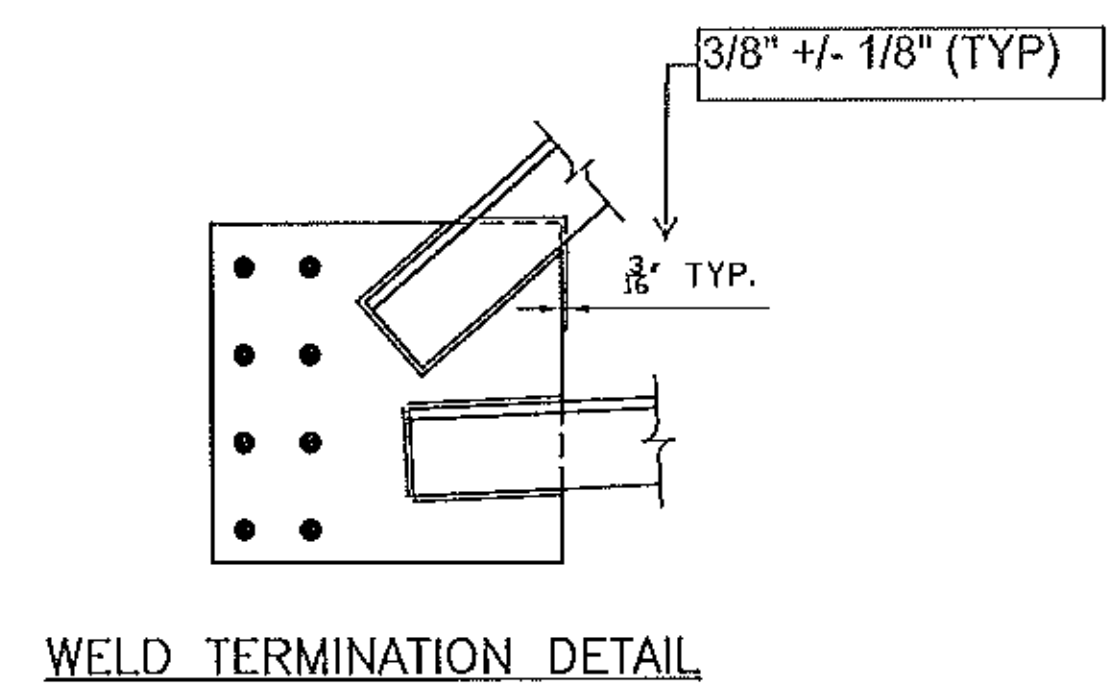


ONE - CROSS FRAME 110CF1
PAINTED



ONE - CROSS FRAME 110CF2
PAINTED



BILL OF MATERIAL									
Mark	Qty.	Description	Std	Length	Remark	ABM	Total	Seq	Qty
			Grd				Weight		/Seq
110CF1	ONE	CROSS FRAME				423	449		1
110CF1	1	CROSS FRAME		7-10 1/2	PAINT				
LA110	1	L4x4x1/2	A70950W	6-8 3/8		105-1	86		
LB110	1	L4x4x1/2	A70950W	6-4 9/16		105-5	82		
LC110	1	L4x4x1/2	A70950W	3-8 7/8		105-5	48		
LD110	1	L4x4x1/2	A70950W	3-7		105-7	46		
x102a	2	PL1/2x12	A70950W	1-2		105-7	48		
x102b	2	PL1/2x15	A70950W	1-4		105-7	68		
x102c	1	PL1/2x14 1/2	A70950W	1-10		105-9	45		
FB		FIELD BOLTS							
78F212	32	.7/8 Dia A325 TYP3		2 1/2	1FL WASH				
110CF2	ONE	CROSS FRAME				423	449		1
110CF2	1	CROSS FRAME		7-10 1/2	PAINT				
LE110	1	L4x4x1/2	A70950W	6-8 1/2		105-1	86		
LG110	1	L4x4x1/2	A70950W	6-4 1/2		105-5	82		
LH110	1	L4x4x1/2	A70950W	3-7 15/16		105-5	47		
LK110	1	L4x4x1/2	A70950W	3-7 15/16		105-7	47		
x102a	2	PL1/2x12	A70950W	1-2		105-7	48		
x102b	2	PL1/2x15	A70950W	1-4		105-7	68		
x102c	1	PL1/2x14 1/2	A70950W	1-10		105-9	45		
FB		FIELD BOLTS							
78F212	32	.7/8 Dia A325 TYP3		2 1/2	1FL WASH				

GENERAL NOTES: SEE GN100
HOLES: 15/16 (U.N.)
CLEANING AND PAINTING: SEE SHEET P100 AND P101

See standard specification 506.24(a)(9), no payment will be made for bolts, nuts, washers, they are considered to be incidental

Vermont Agency of Transportation
RECEIVED
CK'D BY M.E.M. OK'D BY C.W.M.
July 09, 2012
RESUBMIT APPROVED AS NOTED
BY C. CARLSON DATE 07-27-2012

FOR APPROVAL	07/06/12	BR	EG
REVISION	DATE	PAR	VER.

NOTE: BOLT 1 WASHER: 1 WASHER UNDER NUT U.N.
BOLT 2 WASHER: 1 WASHER UNDER HEAD U.N.
1 WASHER UNDER HEAD U.N.



PROJECT: VT RT 9, BRIDGE NO. 11
TOWN OF WOODFORD, VT
OVER WALDOMSAC RIVER

TITLE: CROSS FRAME

REFERENCE: PROJECT NO. ER BHF 010-1 (44)

DESIGN BY: BR	DATE: JULY 2012	CONTRACT NO: UN04260
DRAWN BY: GG	DATE: JULY 2012	REVISION NO: 110 A