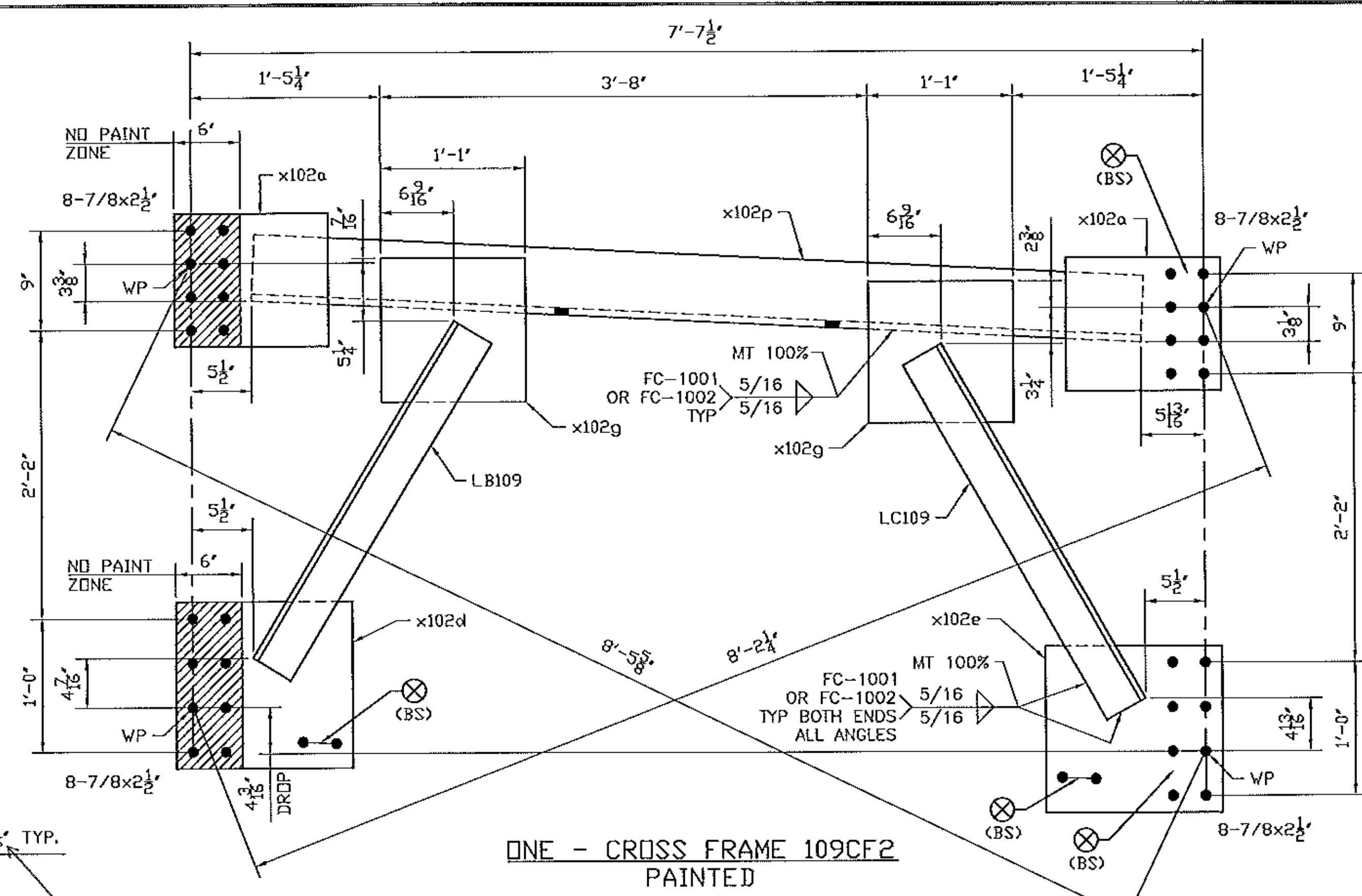
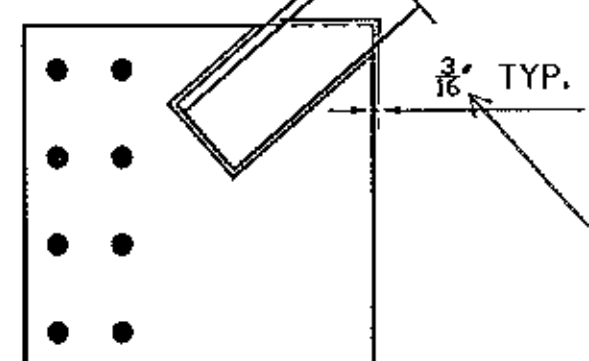


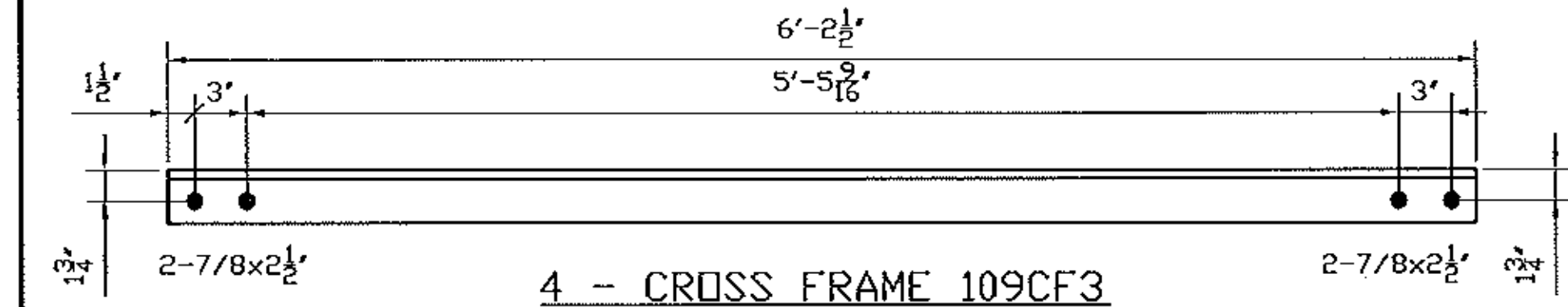
4 - CROSS FRAME 109CF1



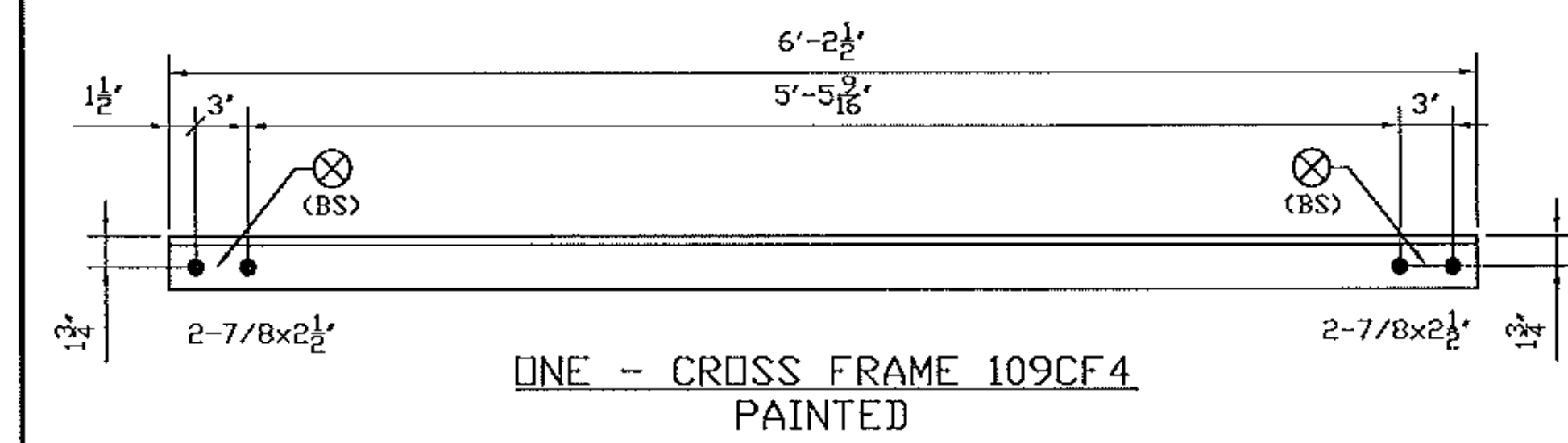
ONE - CROSS FRAME 109CF2 PAINTED



WELD TERMINATION DETAIL



4 - CROSS FRAME 109CF3



ONE - CROSS FRAME 109CF4 PAINTED

Mark	Qty.	Description	Stl	Length	Remark	ABM	Total Weight	Seq	Qty /Seq
109CF3	4	CROSS FRAME	Grd				246	1	4
109CF3	4	L3x3x1/2	A70950W	6-2 1/2		105-4	233		
FB		FIELD_BOLTS							
78F212	16	.7/8 Dia A325 TYP3		2 1/2	1FL WASH		13		
109CF4	ONE	CROSS FRAME					61	1	1
109CF4	1	L3x3x1/2	A70950W	6-2 1/2	PAINT	105-3	58		
FB		FIELD_BOLTS							
78F212	4	.7/8 Dia A325 TYP3		2 1/2	1FL WASH		3		

BILL OF MATERIAL									
Mark	Qty.	Description	Stl	Length	Remark	ABM	Total Weight	Seq	Qty /Seq
109CF1	4	CROSS FRAME	Grd				1611	1	4
109CF1	4	CROSS FRAME		7-10 1/2			1713		
LB109	4	L4x4x1/2	A70950W	2-11 3/8		105-6	151		
LC109	4	L4x4x1/2	A70950W	3-0 13/16		105-6	157		
x102a	8	PL1/2x12	A70950W	1-2		105-8	191		
x102d	4	PL1/2x15	A70950W	1-4		105-8	136		
x102e	4	PL1/2x15	A70950W	1-4		105-8	136		
x102g	8	PL1/2x13	A70950W	1-1		105-10	192		
x102p	4	L6x6x5/8	A70950W	6-8 5/16		105-2	648		
FB		FIELD_BOLTS							
78F212	128	.7/8 Dia A325 TYP3		2 1/2	1FL WASH		102		
109CF1	ONE	CROSS FRAME					403	1	1
109CF1	1	CROSS FRAME		7-10 1/2	PAINT		429		
LB109	1	L4x4x1/2	A70950W	2-11 3/8		105-5	38		
LC109	1	L4x4x1/2	A70950W	3-0 13/16		105-5	39		
x102a	2	PL1/2x12	A70950W	1-2		105-7	48		
x102d	1	PL1/2x15	A70950W	1-4		105-7	34		
x102e	1	PL1/2x15	A70950W	1-4		105-7	34		
x102g	2	PL1/2x13	A70950W	1-1		105-9	48		
x102p	1	L6x6x5/8	A70950W	6-8 5/16		105-2	648		
FB		FIELD_BOLTS							
78F212	32	.7/8 Dia A325 TYP3		2 1/2	1FL WASH		36		

GENERAL NOTES: SEE GN100
HOLES: 15/16 (U.N.)
CLEANING AND PAINTING: SEE SHEET P100 AND P101

See standard specification 506.24(a)(9), no payment will be made for bolts, nuts, washers, they are considered to be incidental

Vermont Agency of Transportation
RECEIVED
CK'D BY M.E.M. OK'D BY C.W.M.
July 09, 2012
RESUBMIT APPROVED AS NOTED
BY C. CARLSON DATE 07-27-2012

FOR APPROVAL	07/06/12	BR	EG
REVISION	DATE	PAR	VER.

NOTE: BOLT 1 WASHER: 1 WASHER UNDER NUT U.N.
BOLT 2 WASHER: 1 WASHER UNDER HEAD U.N.
1 WASHER UNDER HEAD U.N.



PROJECT: VT RT 9, BRIDGE NO. 11
TOWN OF WOODFORD, VT
OVER WALDOOMSAC RIVER

TITLE: CROSS FRAME AT WATERLINE

REFERENCE: PROJECT NO. ER BHF 010-1 (44)

DESIGNED BY	DATE	CHECKED BY	DATE	CONTRACT NO.	REVISED BY	DATE
BR	JULY 2012	GG	JULY 2012	UN04260		