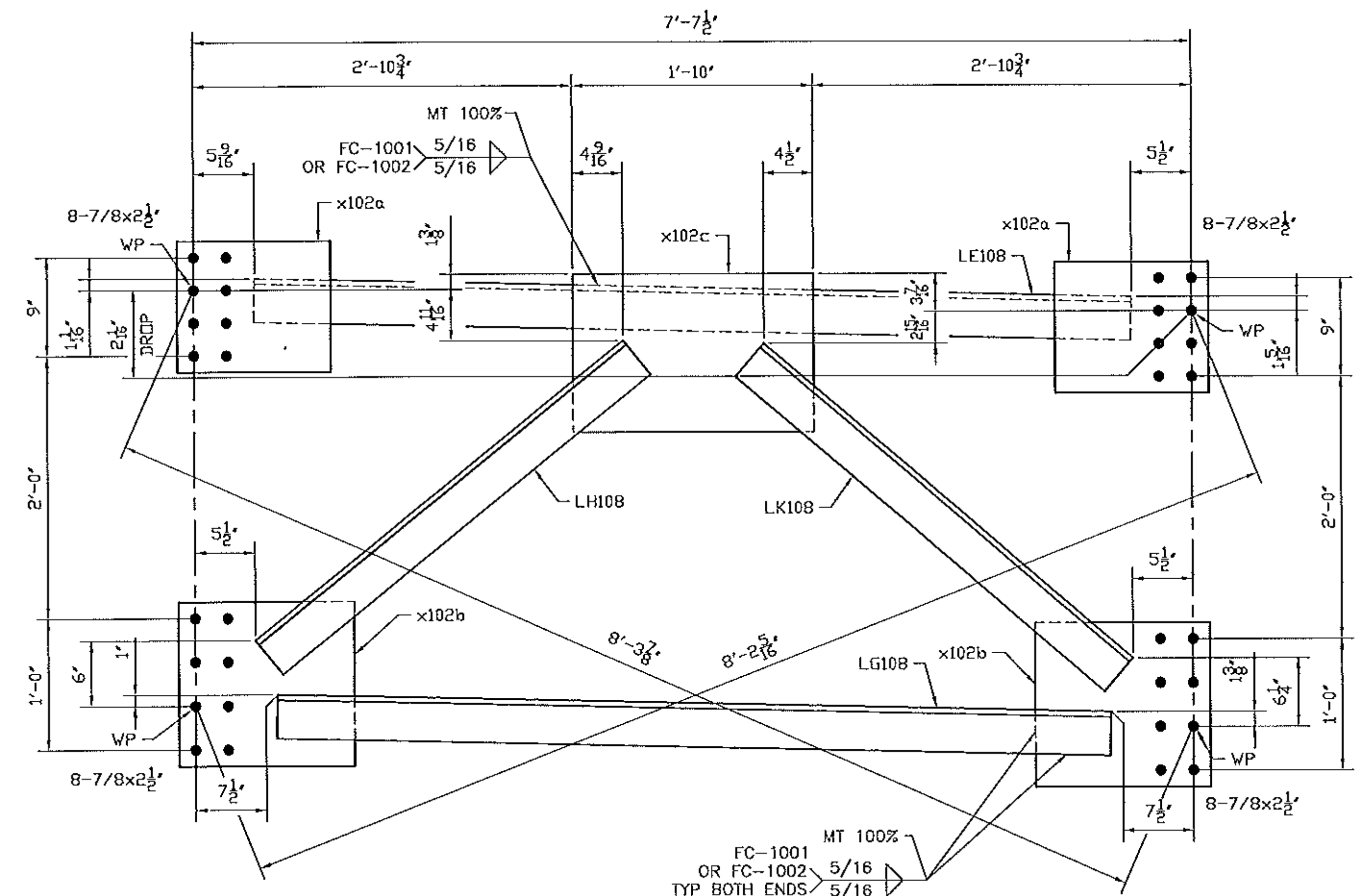


4 - CROSS FRAME 108CF1



4 - CROSS FRAME 108CF2

BILL OF MATERIAL

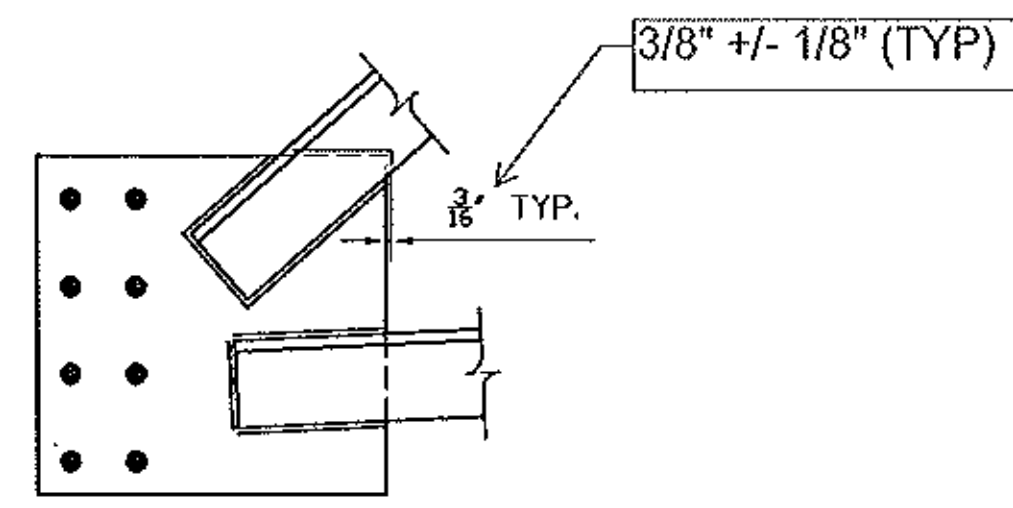
Mark	Qty.	Description	SI	Length	Remark	ABM	Total Weight	Seq	Qty
108CF1	4	CROSS FRAME	Grd			1688	1789	1	4
108CF1	4	CROSS FRAME		7-10 1/2					
LA108	4	L4x4x1/2	A70950W	6-8 1/2		106-2	343		
LB108	4	L4x4x1/2	A70950W	6-4 1/2		106-2	326		
LC108	8	L4x4x1/2	A70950W	3-7 15/16		106-4	375		
x102a	8	PL1/2x12	A70950W	1-2		106-6	191		
x102b	8	PL1/2x15	A70950W	1-4		106-6	272		
x102c	4	PL1/2x14 1/2	A70950W	1-10		106-8	181		
FB		FIELD_BOLTS							
78F212	128	.7/8 Dia A325 TYP3		2 1/2	1FL WASH				
108CF2	4	CROSS FRAME				1688	1790	1	4
108CF2	4	CROSS FRAME		7-10 1/2					
LE108	4	L4x4x1/2	A70950W	6-8 7/16		106-2	343		
LG108	4	L4x4x1/2	A70950W	6-4 1/2		106-2	326		
LH108	4	L4x4x1/2	A70950W	3-7 1/2		106-4	186		
LK108	4	L4x4x1/2	A70950W	3-8 3/8		106-4	189		
x102a	8	PL1/2x12	A70950W	1-2		106-6	191		
x102b	8	PL1/2x15	A70950W	1-4		106-6	272		
x102c	4	PL1/2x14 1/2	A70950W	1-10		106-8	181		
FB		FIELD_BOLTS							
78F212	128	.7/8 Dia A325 TYP3		2 1/2	1FL WASH				

GENERAL NOTES: SEE GN100

HOLES: 15/16 (UN.)

CLEANING AND PAINTING: SEE SHEET P100

See standard specification 506.24(a)(9), no payment will be made for bolts, nuts, washers, they are considered to be incidental



WELD TERMINATION DETAIL

Vermont Agency of Transportation  
**RECEIVED**

CK'D BY M.E.M. OK'D BY C.W.M.

July 09, 2012

RESUBMIT APPROVED AS NOTED  
BY C. CARLSON DATE 07-27-2012

No	REVISION	DATE	PAR	VER.
		07/06/12	BR	EG

NOTE: BOLT 1 WASHER: 1 WASHER UNDER NUT U.N.  
BOLT 2 WASHER: 1 WASHER UNDER HEAD U.N.  
1 WASHER UNDER HEAD U.N.



PROJECT: VT RT 9, BRIDGE NO. 11  
TOWN OF WOODFORD, VT  
OVER WALDOOMSAC RIVER

TITLE: CROSS FRAME

REFERENCE: PROJECT NO. ER BHF 010-1 (44)

DATE	BY	DATE	BY	DATE	BY
	BR	JULY 2012			UN04260
	GG	JULY 2012			108 A