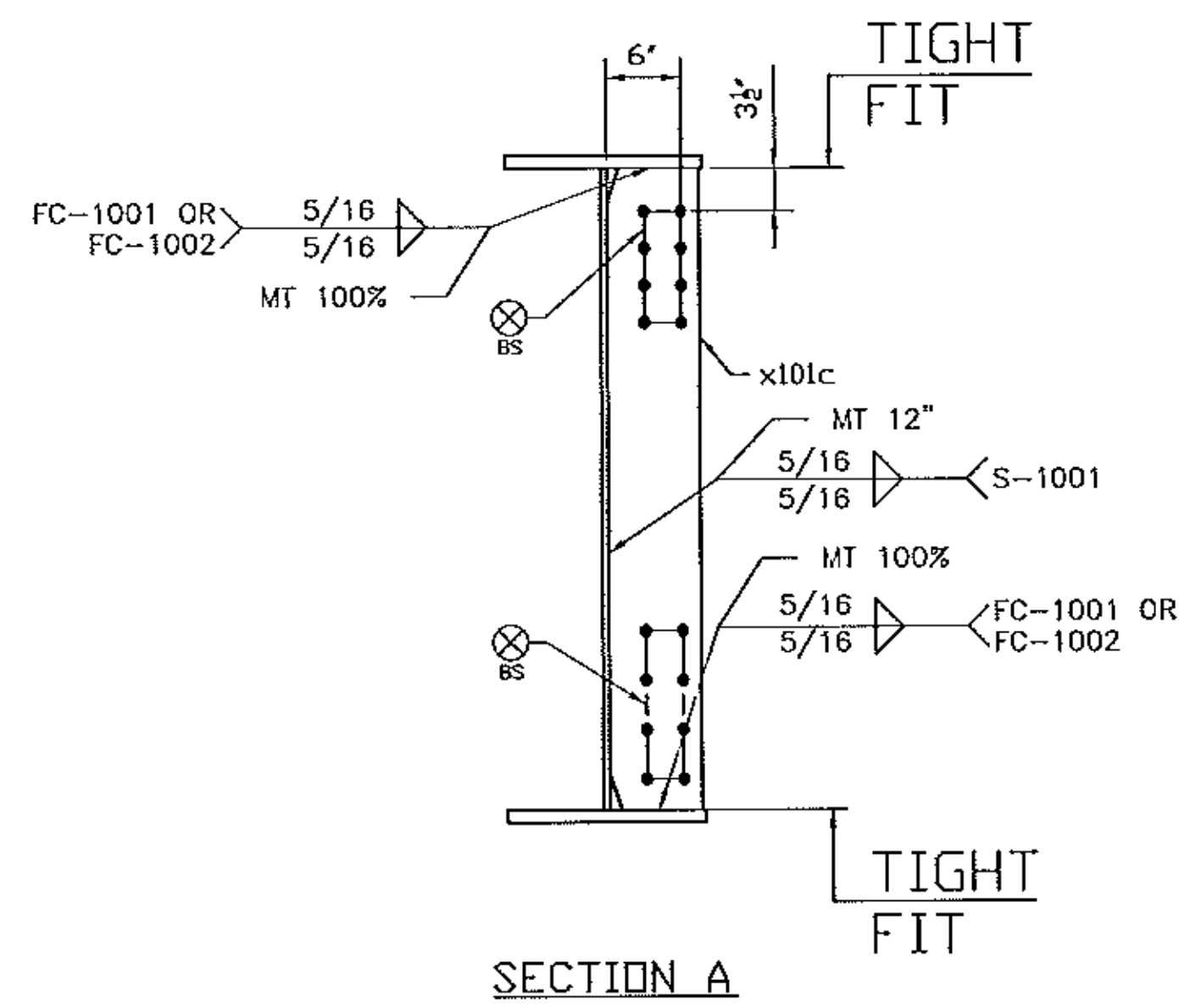
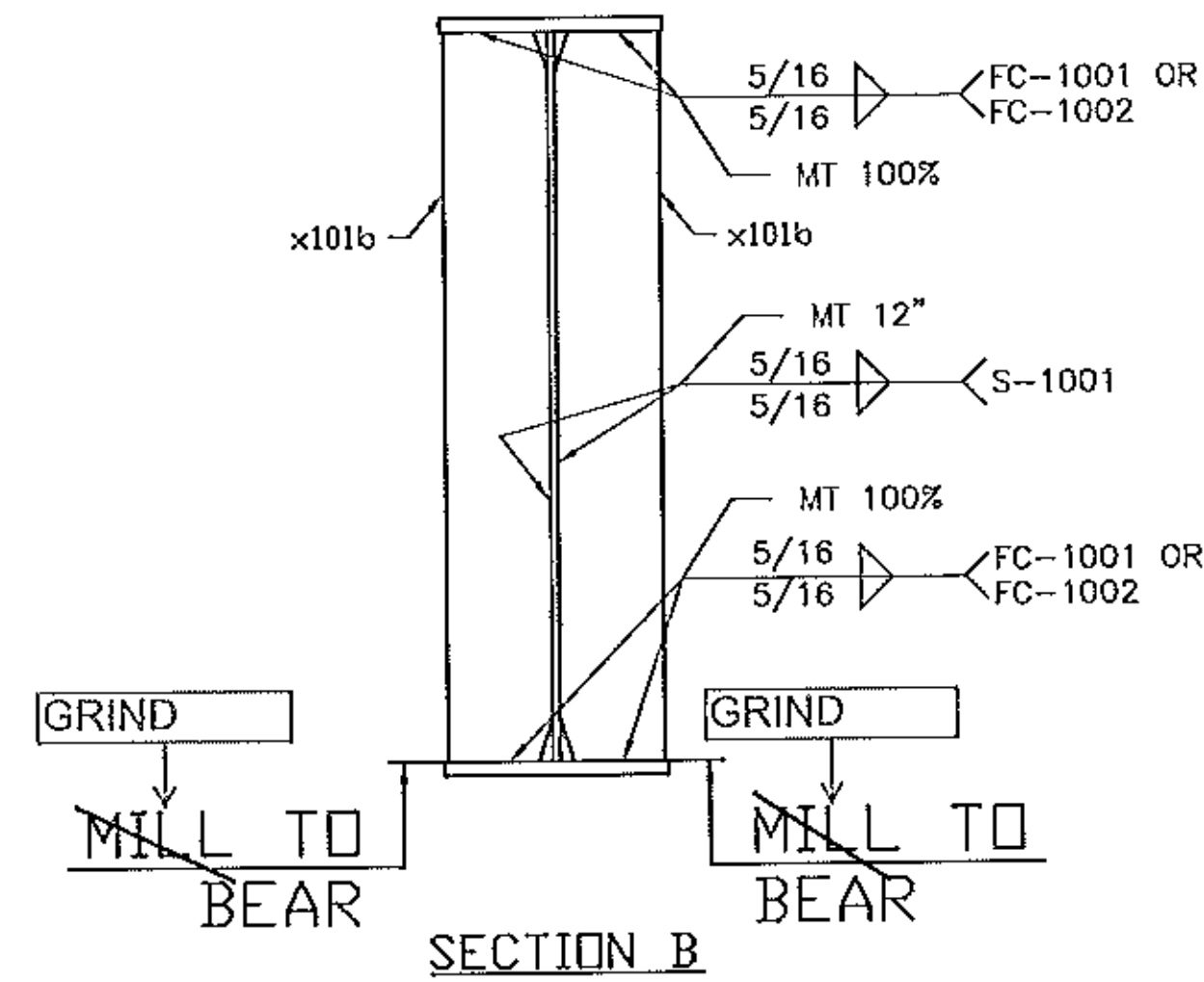


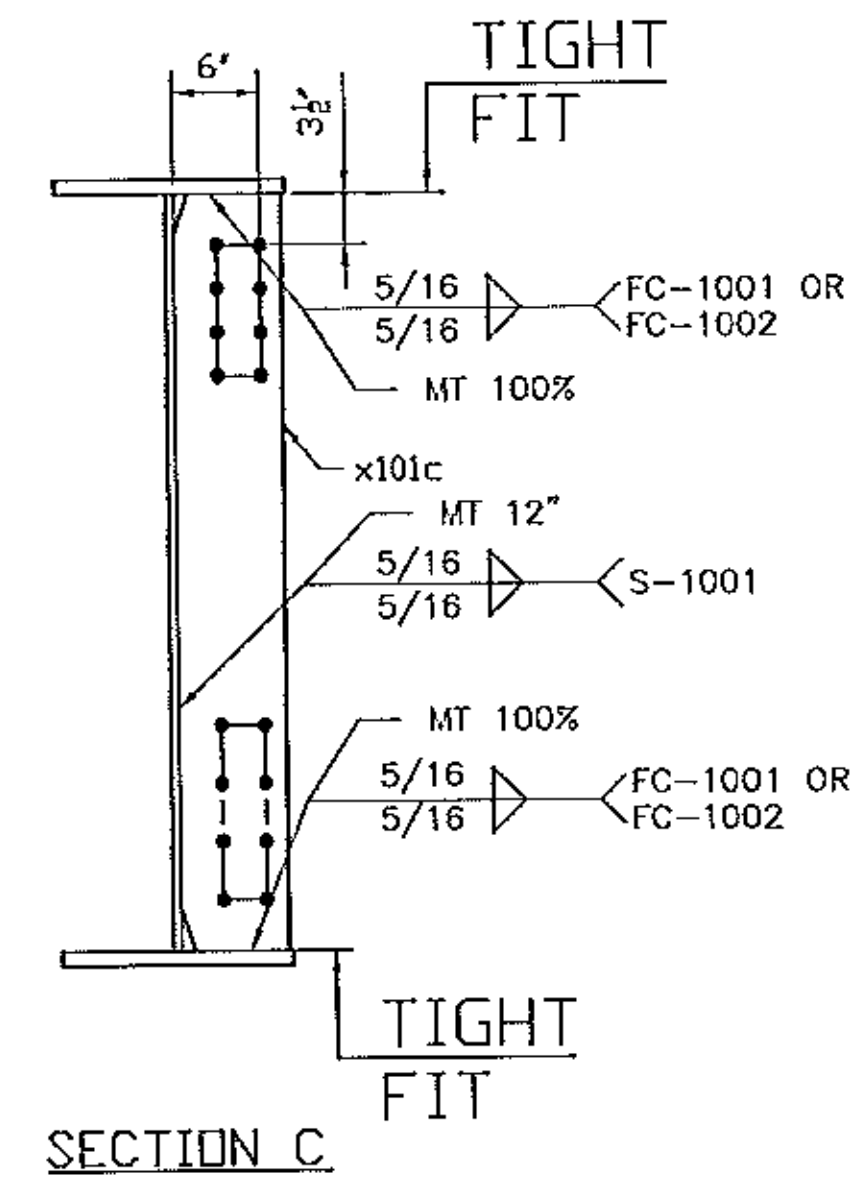
TYPICAL SECTION



SECTION A



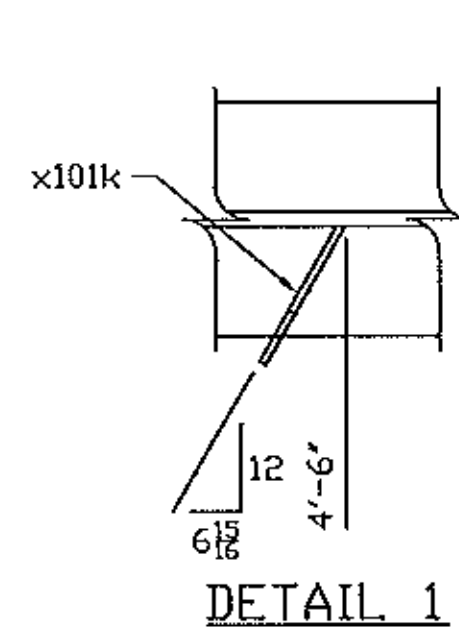
SECTION B



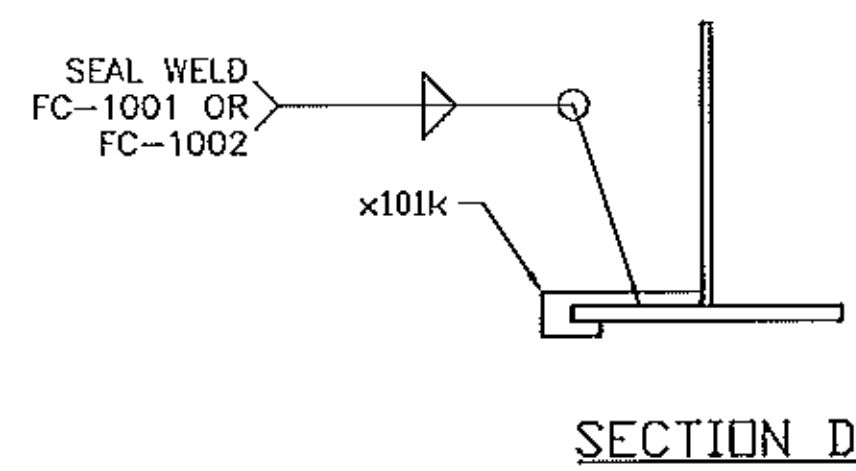
SECTION C

GENERAL NOTES: SEE GN100
 HOLES: 15/16 (U.N.)
 CLEANING AND PAINTING: SEE SHEET P100 AND P101

No	REVISION	DATE	PAR	VER.
A	FDR APPROVAL	07/06/12	BR	EG

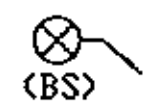


DETAIL 1



SECTION D

PRIMER ONLY, NO PAINT
 BOTH SIDES 75 mm DIA AROUND HOLE
 WHERE NOTED WITH THIS SYMBOL



Vermont Agency of Transportation

RECEIVED

CK'D BY M.E.M. OK'D BY C.W.M.

July 09, 2012

RESUBMIT APPROVED AS NOTED
 BY C. CARLSON DATE 07-27-2012

NOTE: BOLT 1 WASHER: 1 WASHER UNDER NUT U.N.
 BOLT 2 WASHER: 1 WASHER UNDER HEAD U.N.
 1 WASHER UNDER HEAD U.N.



PROJECT: VT RT 9, BRIDGE NO. 11
 TOWN OF WOODFORD, VT
 OVER WALDOMSAC RIVER

TITLE: GIRDER 106G1

REFERENCED: PROJECT NO. ER BHF 010-1 (44)

REV BY	DATE	CONTRACT NO.
BR	JULY 2012	UN04260
GG	JULY 2012	106-3 A