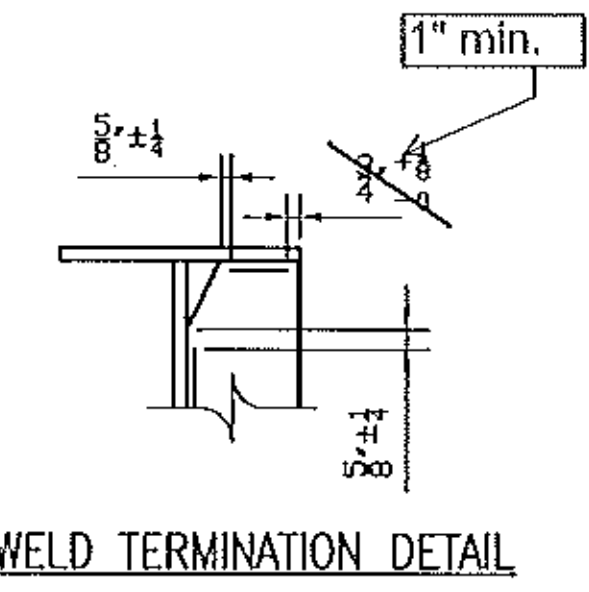
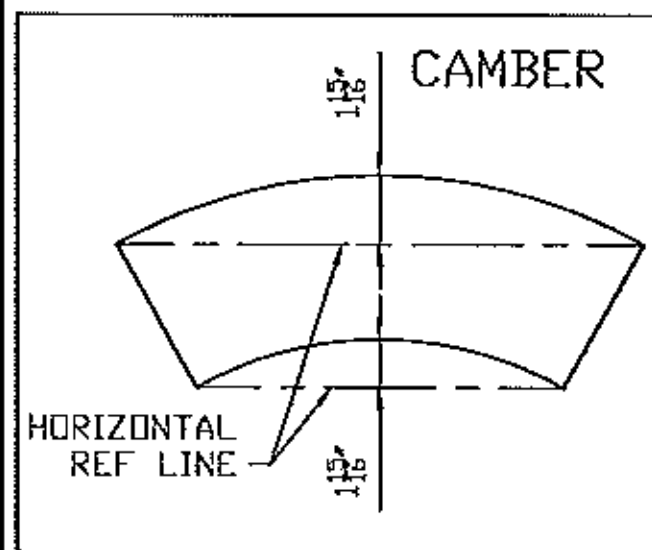
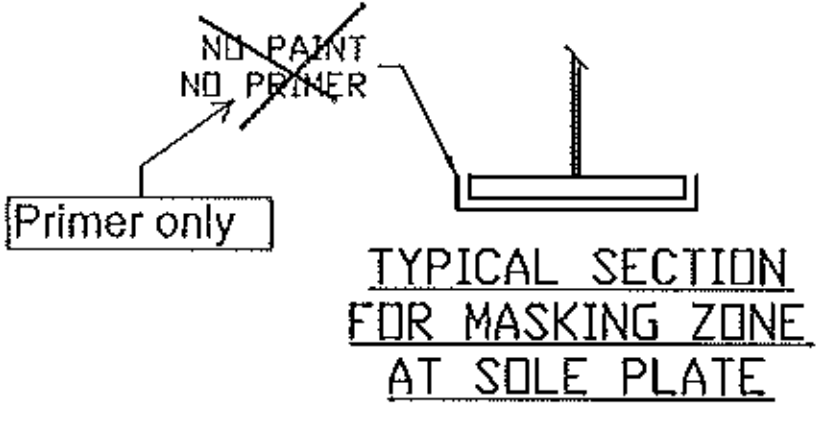
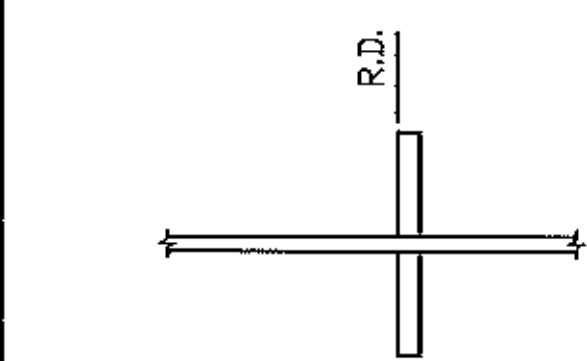
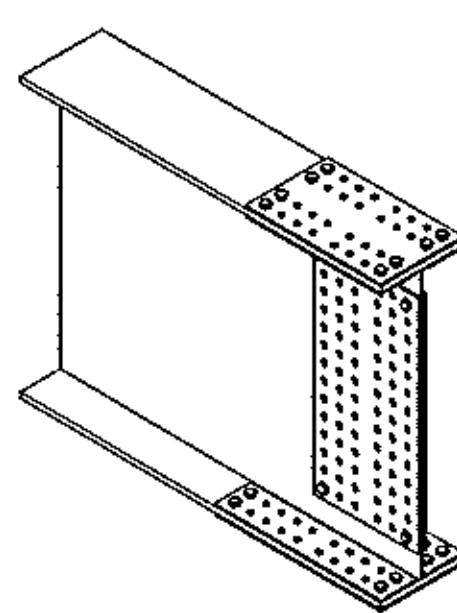


Is there room for WPS S-1001 with dart welder? There is only 5 3/4\" between the two plates Typ. all girders.

NO PRIMER
NO PAINT
MASKING ZONE
SEE TYPICAL SECTION



THE FIELD SPLICE PLATES MUST NOT EXCEED THE END OF GIRDER



TYPICAL DETAIL FOR STIFFENER

BILL OF MATERIAL

Work	Qty.	Description	Std	Length	Remark	ABM	Total	Seq	Qty
			Grd				Weight		/Seq
106G1	ONE	GIRDER				16355	16480		1
106G1	1	GIRDER		78-5 7/8					
TF106	1	PL1x16	A70950WT2	78-4 1/2		100-1	4267		
W106	1	PL1/2x52	A70950WT2	78-5 7/8		100-2	6944		
BF106	1	PL1x16	A70950WT2	78-4 3/16		100-1	4266		
x101b	2	PL7/8x7 1/2	A70950WT2	4-4	WB	101-1	194		
x101c	6	PL1/2x7 1/2	A70950WT2	4-4		101-2/3	332		
x101k	1	PL1/4x3 1/8	A70950WT2	11		101-4	2		
x101spa	1	PL1/2x16	A70950WT2	2-2 1/4		102-1	60		
x101spb	2	PL1/2x7	A70950WT2	2-2 1/4		102-2	52		
x101spc	2	PL1/2x43	A70950WT2	8 1/4		102-3	101		
x101spd	2	PL1/2x7	A70950WT2	2-8 1/4		102-4	64		
x101spe	1	PL1/2x16	A70950WT2	2-8 1/4		102-5	73		
FB		FIELD BOLTS							
78F3	84	.7/8 Dia A325 TYP3			3 1FL WASH		67		
78F312	72	.7/8 Dia A325 TYP3			3 1/2 1FL WASH		58		

GENERAL NOTES: SEE GN100
HOLES: 15/16 (U.N.)
CLEANING AND PAINTING: SEE SHEET P100 AND P101

See standard specification 506.24(a)(9), no payment will be made for bolts, nuts, washers, they are considered to be incidental

Vermont Agency of Transportation
RECEIVED
CK'D BY M.E.M. OK'D BY C.W.M.
July 09, 2012

RESUBMIT APPROVED AS NOTED
BY C. CARLSON DATE 07-27-2012

No	FOR APPROVAL	DATE	PAR	VER.
		07/06/12	BR	EG
	REVISION			

NOTE: BOLT 1 WASHER: 1 WASHER UNDER NUT U.N.
BOLT 2 WASHER: 1 WASHER UNDER HEAD U.N.
1 WASHER UNDER HEAD U.N.



PROJECT: VT RT 9, BRIDGE NO. 11
TOWN OF WOODFORD, VT
OVER WALDOMSAC RIVER

TITLE: GIRDER 106G1

REFERENCE: PROJECT NO. ER BHF 010-1 (44)

REVISED BY	DATE	CONTACT NO
BR	JULY 2012	UN04260
DESIGNED BY	DATE	PROJECT NO
GG	JULY 2012	106-2 A