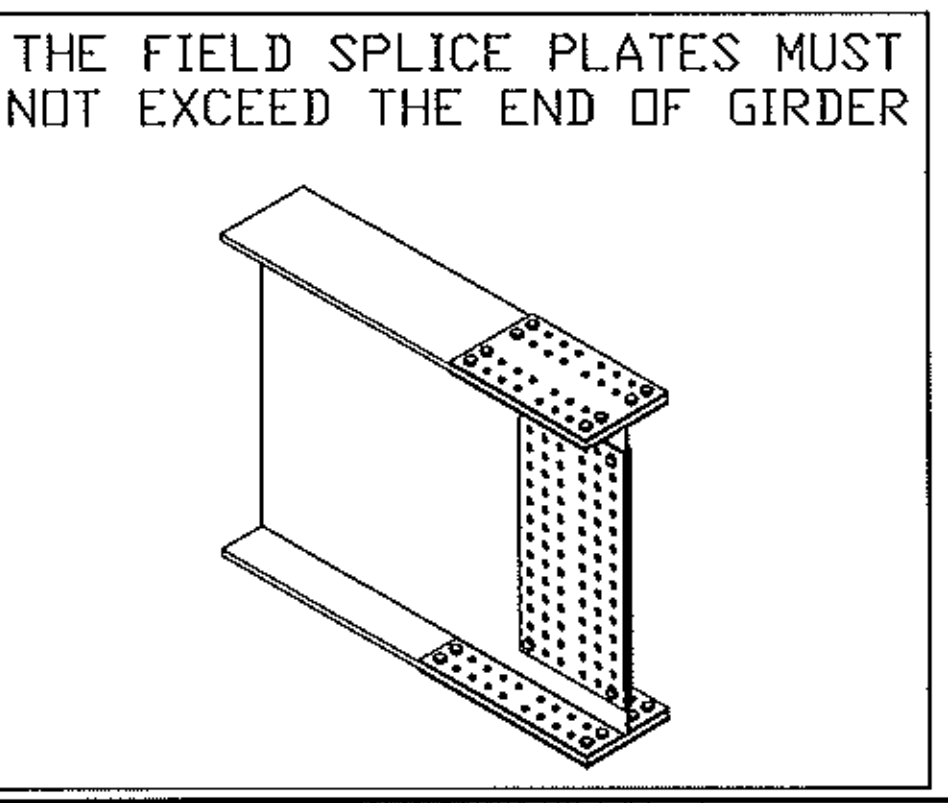
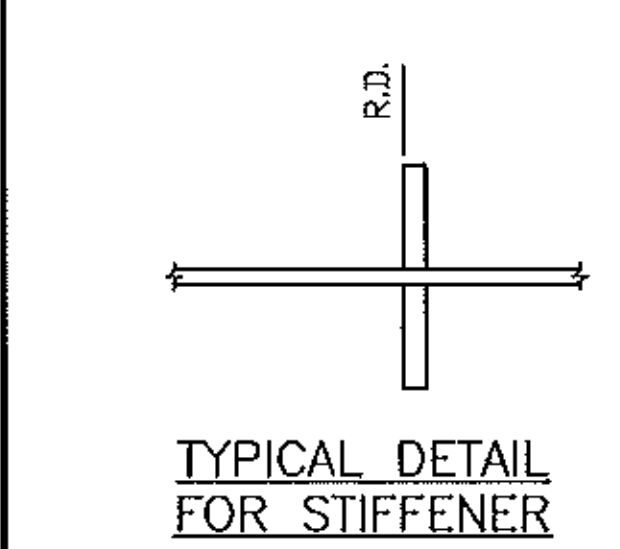
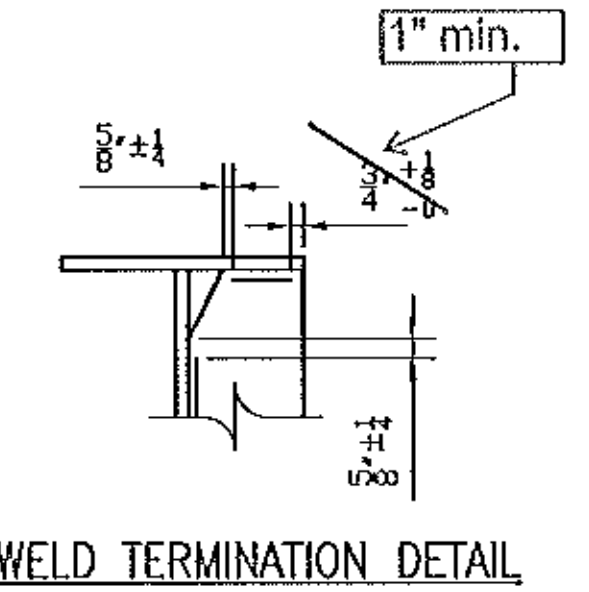
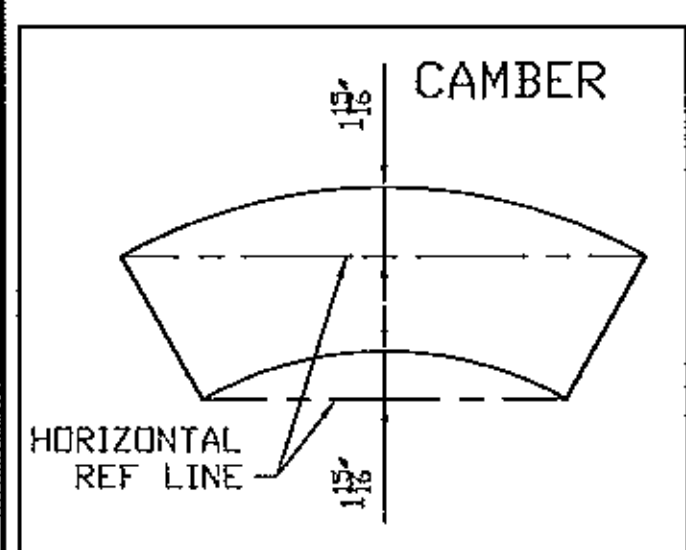
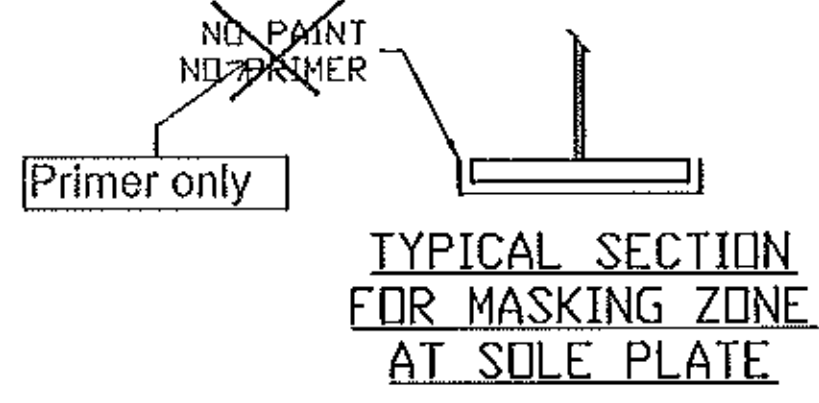


Is there room for WPS S-1001 with dart welder? There is only 5 3/4" between the two plates Typ. all girders.

NO PRIMER
NO PAINT
MASKING ZONE
SEE TYPICAL SECTION



GENERAL NOTES: SEE GN100
HOLES: 15/16 (U.N.)
CLEANING AND PAINTING: SEE SHEET P100 AND P101

See standard specification 506.24(a)(9), no payment will be made for bolts, nuts, washers, they are considered to be incidental

BILL OF MATERIAL									
Mark	Qty.	Description	SI	Length	Remark	ABM	Total Weight	Seq	Qty /Seq
105G1	ONE	GIRDER				16629	16699	1	1
105G1	1	.GIRDER		78-5 13/16					
TF105	1	PL1x16	A70950WT2	78-4 1/2		100-1	4267		
W105	1	PL1/2x52	A70950WT2	78-5 13/16		100-2	6944		
BF105	1	PL1x16	A70950WT2	78-4 3/16		100-1	4266		
x101b	2	PL7/8x7 1/2	A70950WT2	4-4 NB		101-1	154		
x101c	10	PL1/2x7 1/2	A70950WT2	4-4		101-2/3	553		
x101spa	1	PL1/2x16	A70950WT2	2-2 1/4		102-1	69		
x101spb	2	PL1/2x7	A70950WT2	2-2 1/4		102-2	52		
x101spc	2	PL1/2x43	A70950WT2	8 1/4		102-3	101		
x101spd	2	PL1/2x7	A70950WT2	2-8 1/4		102-4	64		
x101spe	1	PL1/2x16	A70950WT2	2-8 1/4		102-5	73		
FB		FIELD BOLTS							
78F3	84	.7/8 Dia A325 TYP3			3 1FL WASH				
78F312	72	.7/8 Dia A325 TYP3			3 1/2 1FL WASH				

608

Vermont Agency of Transportation
RECEIVED

CK'D BY M.E.M. OK'D BY C.W.M.
July 09, 2012

RESUBMIT APPROVED AS NOTED
BY C. CARLSON DATE 07-27-2012

No	REVISION	DATE	PAR	VER.
		07/06/12	BR	EG

NOTE: BOLT 1 WASHER: 1 WASHER UNDER NUT U.N.
BOLT 2 WASHER: 1 WASHER UNDER HEAD U.N.
1 WASHER UNDER HEAD U.N.



PROJECT: VT RT 9, BRIDGE NO. 11
TOWN OF WOODFORD, VT
OVER WALDOOMSAC RIVER

TITLE: GIRDER 105G1

REFERENCES: PROJECT NO. ER BHF 010-1 (44)

DATE	BY	DATE	BY	CONTRACT NO.	REVISED TO
JULY 2012	BR	JULY 2012	GG	UN04260	105-2 A