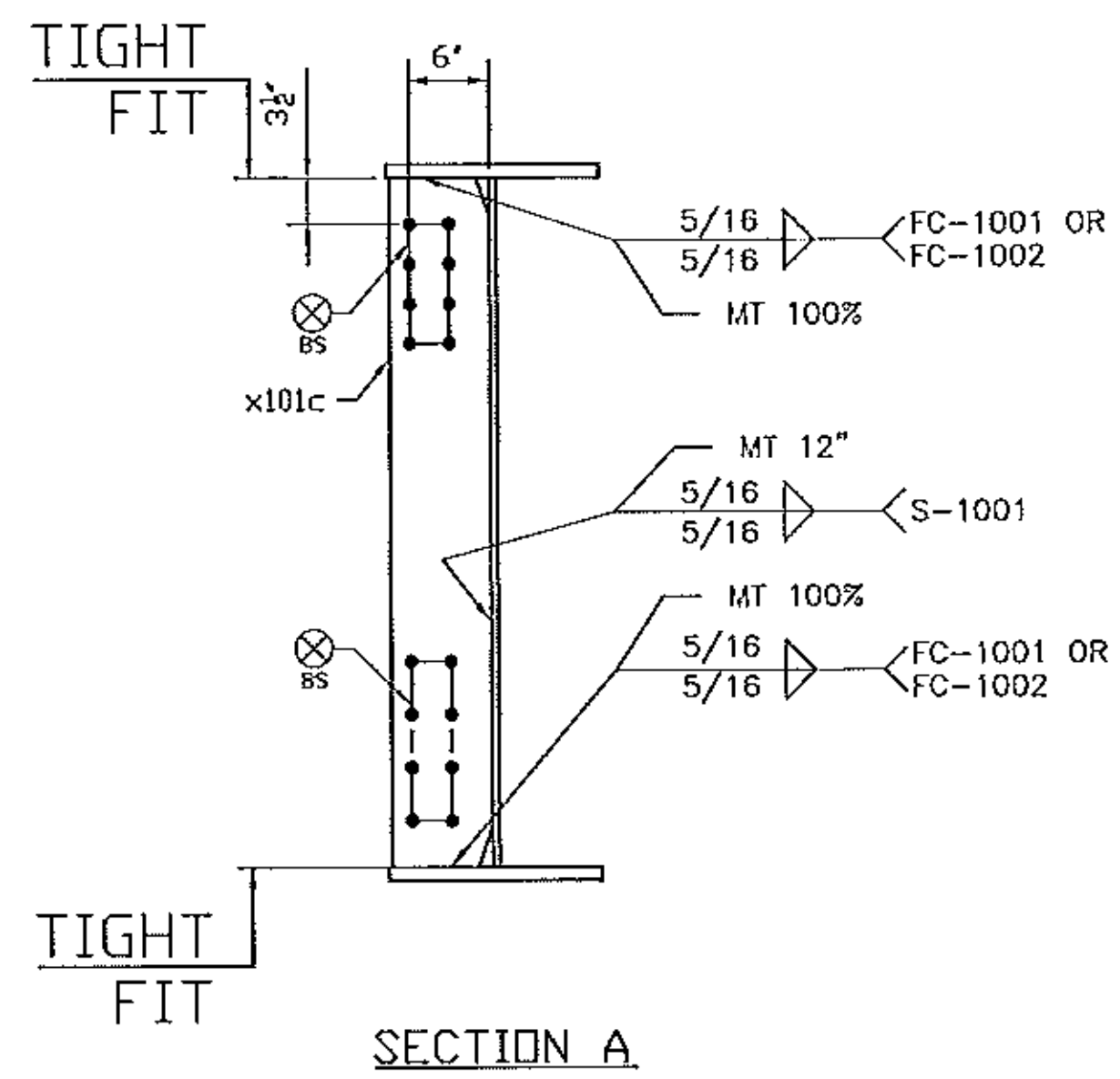
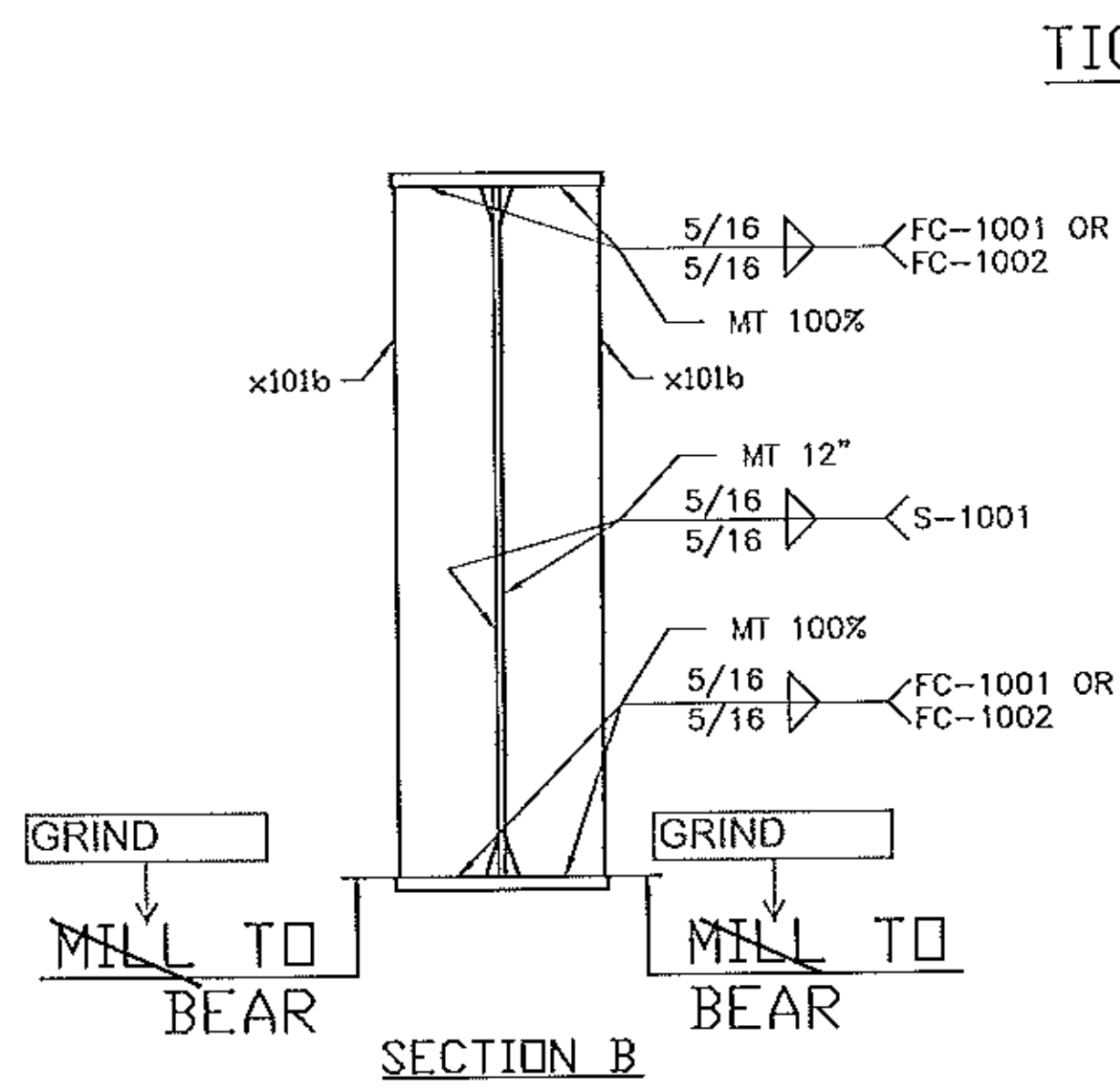


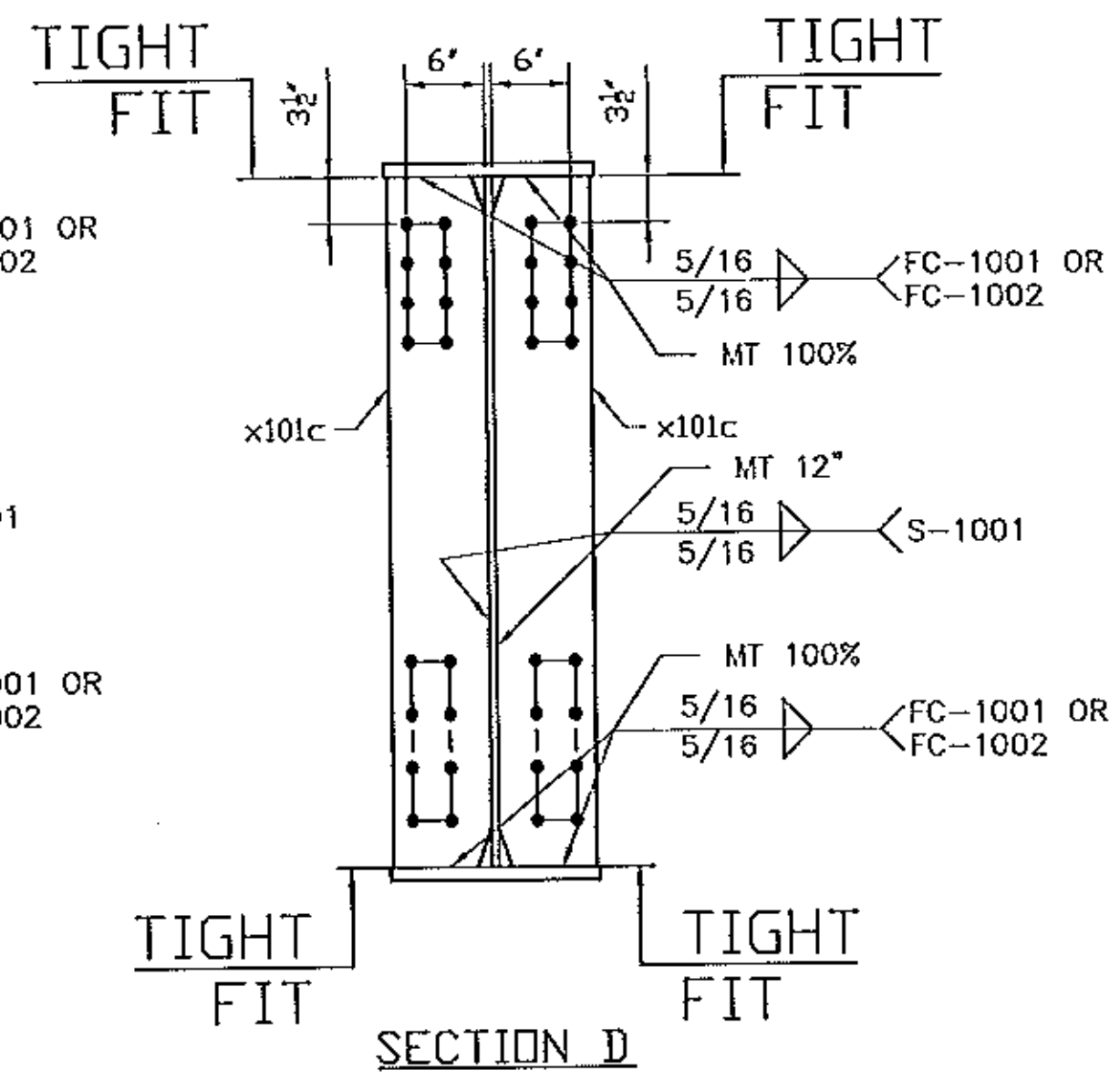
TYPICAL SECTION



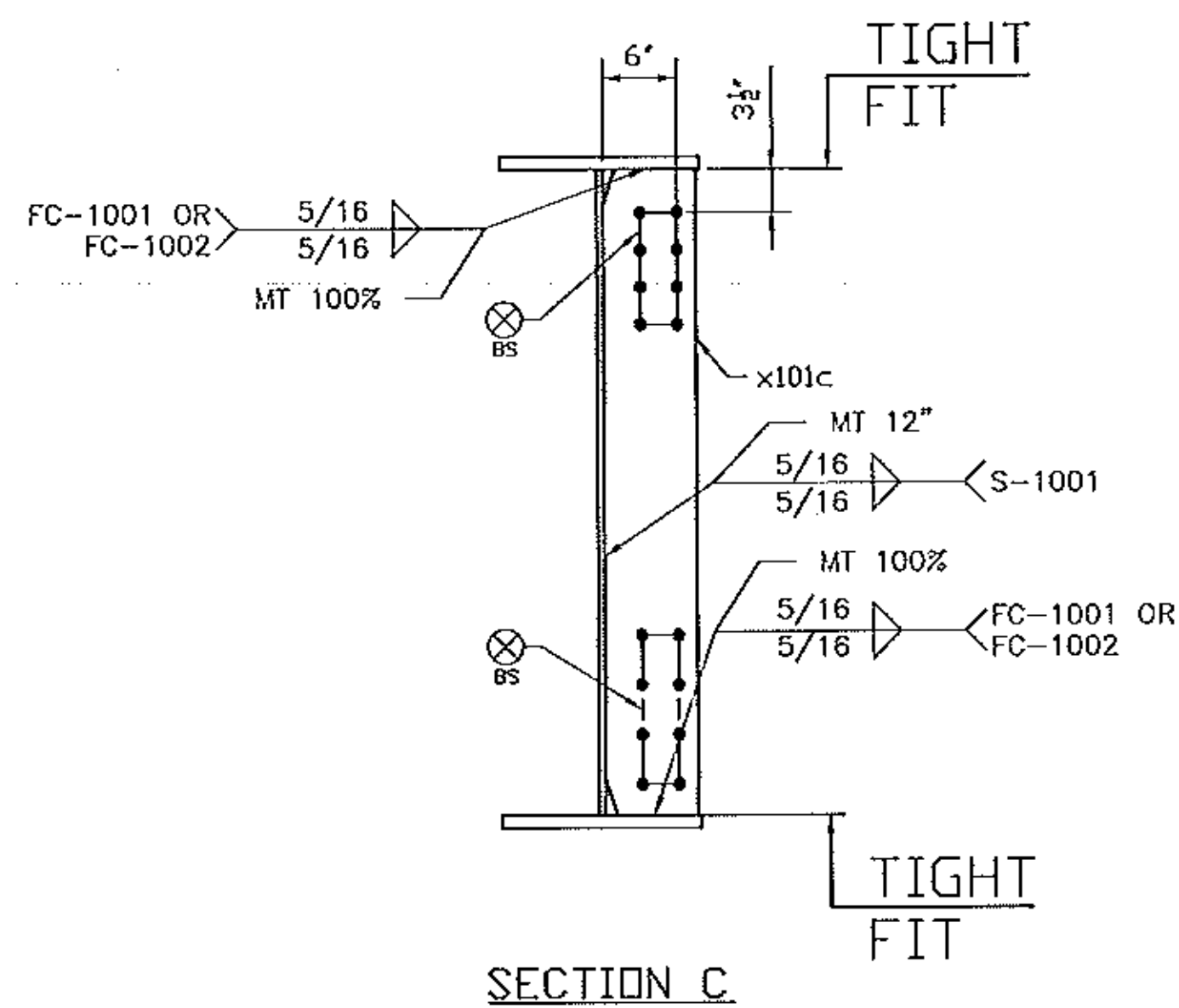
SECTION A



SECTION B



SECTION D



SECTION C

GENERAL NOTES: SEE GN100  
 HOLES: 15/16 (U.N.)  
 CLEANING AND PAINTING: SEE SHEET P100 AND P101

No.	REVISION	DATE	PAR	VER.
1	FOR APPROVAL	07/06/12	BR	EG

PRIMER ONLY, NO PAINT  
 BOTH SIDES 75 mm DIA AROUND HOLE  
 WHERE NOTED WITH THIS SYMBOL

(BS)

Vermont Agency of Transportation  
**RECEIVED**  
 CK'D BY M.E.M. OK'D BY C.W.M.  
 July 09, 2012  
 RESUBMIT APPROVED AS NOTED  
 BY C. CARLSON DATE 07-27-2012

NOTE: BOLT 1 WASHER: 1 WASHER UNDER NUT U.N. BOLT 2 WASHER: 1 WASHER UNDER HEAD U.N. 1 WASHER UNDER HEAD U.N.			
 386 River Road, Claremont, NH 03743 Tel: (603) 542-5202 Fax: (603) 542-5312			
PROJECT: VT RT 9, BRIDGE NO. 11 TOWN OF WOODFORD, VT OVER WALDOMSAC RIVER			
TITLE: GIRDER 104G1			
REFERENCE: PROJECT NO. ER BHF 010-1 (44)			
WORK BY: BR	DATE: JULY 2012	CONTRACT NO: UN04260	
CHECKED BY: GG	DATE: JULY 2012	REVISED BY: 104-3	A