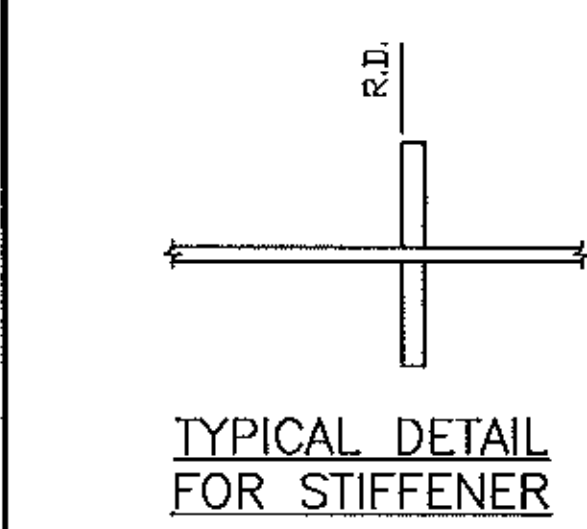
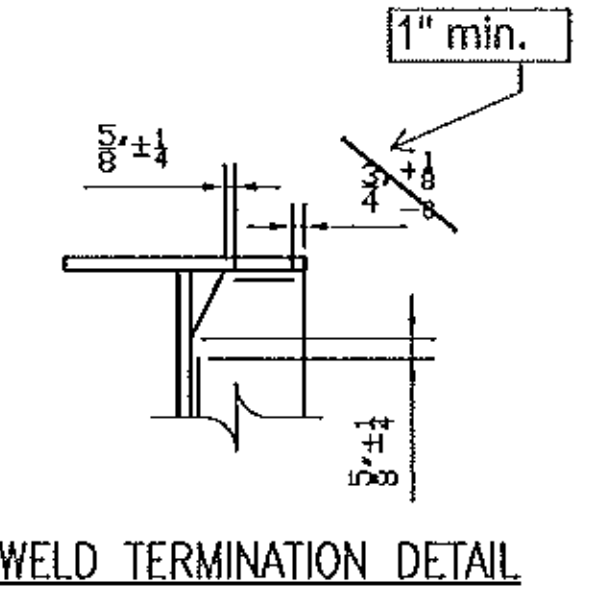
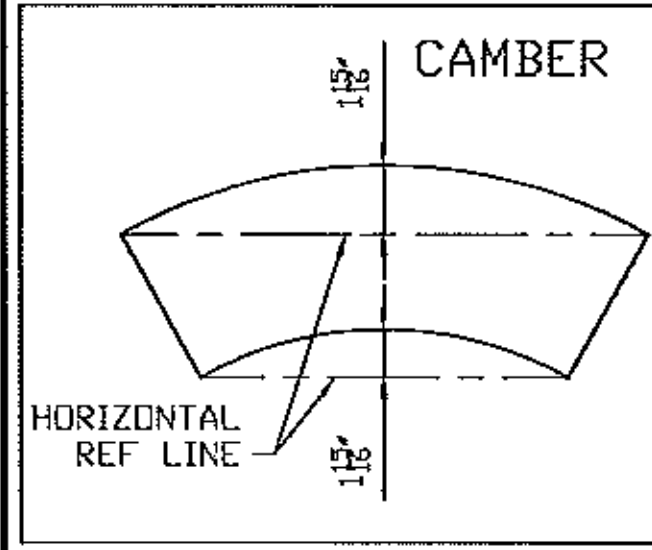
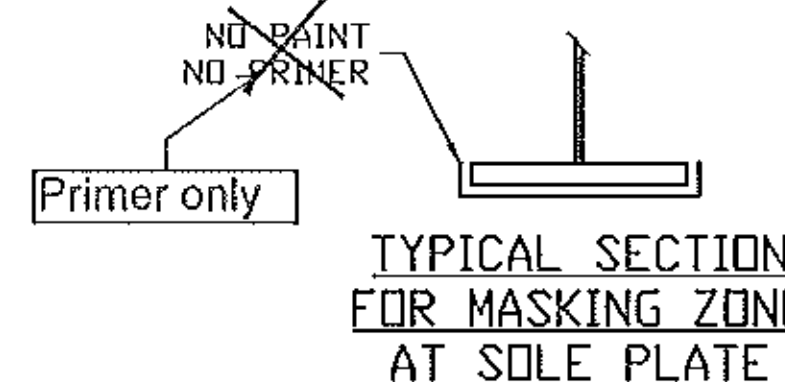


Is there room for WPS S-1001 with dart welder? There is only 5 3/4" between the two plates Typ. all girders.

NO PRIMER
NO PAINT
MASKING ZONE
SEE TYPICAL SECTION



THE FIELD SPLICE PLATES MUST NOT EXCEED THE END OF GIRDER

GENERAL NOTES: SEE GNI00
HOLES: 15/16 (U.N.)
CLEANING AND PAINTING: SEE SHEET P100 AND P101

See standard specification 506.24(a)(9), no payment will be made for bolts, nuts, washers, they are considered to be incidental

BILL OF MATERIAL										
Mark	Qty.	Description	SU	Length	Remark	ABM	Total	Seq	Qty	
			Grd				Weight		/Seq	
104G1	ONE	GIRDER				16628	16753	1		1
104G1	1	GIRDER		78-5 3/4						
TF104	1	PL1x16	A70950#12	78-4 7/16		100-1	4267			
W104	1	PL1/2x52	A70950#12	78-5 3/4		100-2	6943			
BF104	1	PL1x16	A70950#12	78-4 3/16		100-1	4266			
x101b	2	PL7/8x7 1/2	A70950#12	4-4 WB		101-1	194			
x101g	11	PL1/2x7 1/2	A70950#12	4-4		101-2/3	608			
x101spa	1	PL1/2x16	A70950#12	2-2 1/4		102-1	60			
x101spb	2	PL1/2x7	A70950#12	2-2 1/4		102-2	52			
x101spc	2	PL1/2x43	A70950#12	8 1/4		102-3	101			
x101spd	2	PL1/2x7	A70950#12	2-8 1/4		102-4	64			
x101spe	1	PL1/2x16	A70950#12	2-8 1/4		102-5	73			
FB		FIELD BOLTS								
78F3	84	.7/8 Dia A325 TYP3		3 1/2	1FL WASH		67			
78F312	72	.7/8 Dia A325 TYP3		3 1/2	1FL WASH		58			

Vermont Agency of Transportation
RECEIVED
CK'D BY M.E.M. OK'D BY C.W.M.
July 09, 2012
RESUBMIT APPROVED AS NOTED
BY C. CARLSON DATE 07-27-2012

No	REVISION	DATE	PAR	VER.
	FOR APPROVAL	07/06/12	BR	EG

NOTE: BOLT 1 WASHER: 1 WASHER UNDER NUT U.N.
BOLT 2 WASHER: 1 WASHER UNDER HEAD U.N.
1 WASHER UNDER HEAD U.N.



PROJECT: VT RT 9, BRIDGE NO. 11
TOWN OF WOODFORD, VT
OVER WALDOOMSAC RIVER

TITLE: GIRDER 104G1

REFERENCE: PROJECT NO. ER BHF 010-1 (44)

DATE	BY	DATE	BY	DATE	BY
BR	JULY 2012	UN04260			
GG	JULY 2012	104-2			