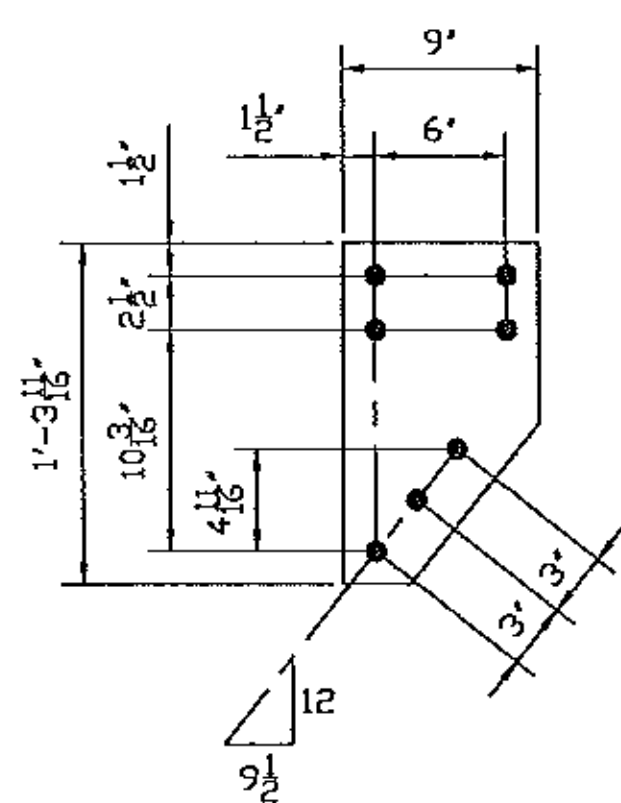
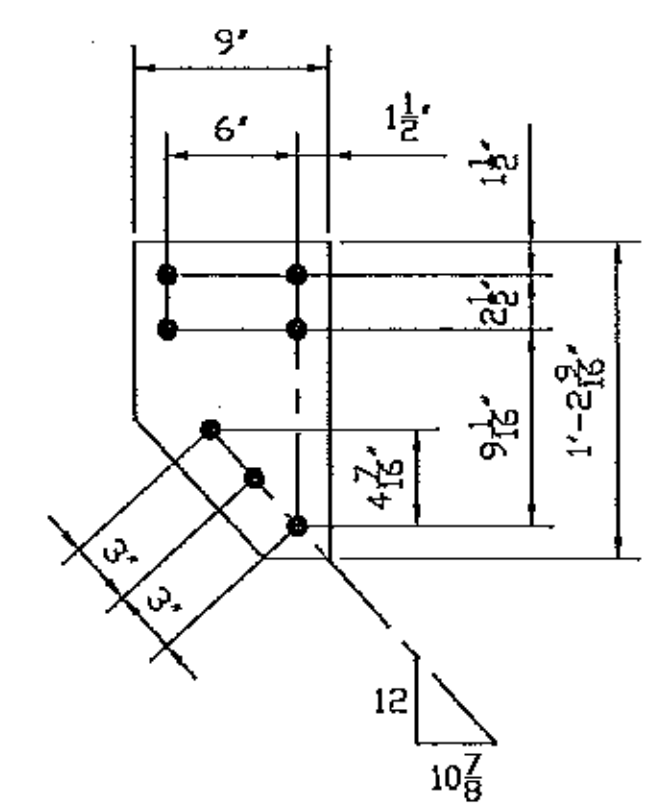


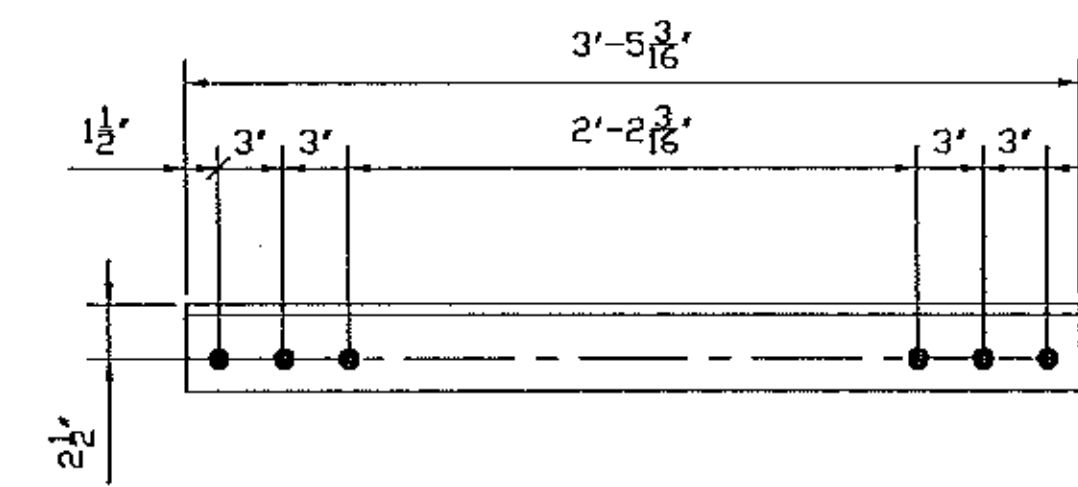
ONE - CROSS FRAME 116CF1
PAINTED



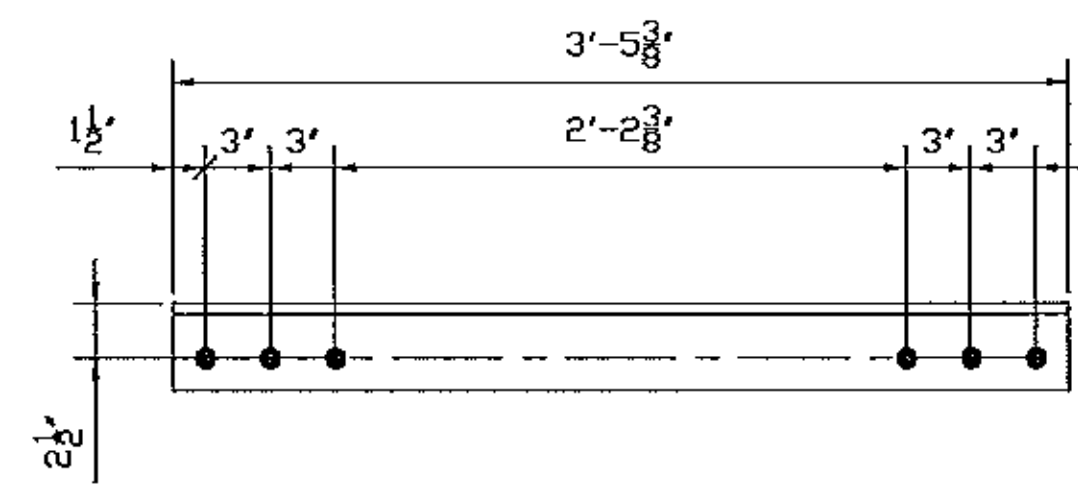
PL1/2x9x1-3 11/16 - x116a



PL1/2x9x1-2 9/16 - x116b



L4x4x1/2x3-5 3/16 - x116d



L4x4x1/2x3-5 3/8 - x116e

PRIMER ONLY, NO PAINT
BOTH SIDES 75 mm DIA AROUND HOLE
WHERE NOTED WITH THIS SYMBOL

GENERAL NOTES: SEE GN100
HOLES: 15/16 (UN.)
CLEANING AND PAINTING: SEE SHEET P100 AND P101

No	REVISION	DATE	PAR	VER.
1	CROSSFRAME MODIFIED	01/16/13	BR	GG
2	CROSSFRAME MODIFIED	09/17/12	BR	GG
3	FOR SHOP	08/03/12	SM	GG
4	FOR APPROVAL	07/06/12	BR	EG

NOTE: BOLT 1 WASHER: 1 WASHER UNDER NUT U.N.
BOLT 2 WASHER: 1 WASHER UNDER HEAD U.N.
1 WASHER UNDER HEAD U.N.

BILL OF MATERIAL									
Mark	Qty.	Description	SU	Length	Remark	ABM	Total (lb)	Seq	Qty
			Grd				Weight		/Seq
116CF1	ONE	CROSS FRAME						1	1
116CF1	1	CROSS FRAME		9-1 5/16	PAINT				
x116a	1	PL1/2x9	A70950W	1-3 11/16		103-5	20		
x116b	1	PL1/2x9	A70950W	1-2 9/16		103-5	19		
x116c	1	L6x6x5/8	A70950W	9-1 5/16		103-1	220		
x116d	1	L4x4x1/2	A70950W	3-5 3/16		103-3	44		
x116e	1	L4x4x1/2	A70950W	3-5 3/8		103-3	44		
78S212	14	.7/8 Dia A325 TYP3		2 1/2	1FL WASH				
FB		FIELD BOLTS							
78F212	14	.7/8 Dia A325 TYP3		2 1/2	1FL WASH				

Vermont Agency of Transportation
RECEIVED
CK'D BY M.E.M. OK'D BY C.W.M.
Jan. 29, 2013
RESUBMIT APPROVED AS NOTED ✓
BY C. CARLSON DATE 01-29-2013

STRUCTAL
Bridges
386 River Road, Claremont, NH 03743
Tel: (603) 542-5202 Fax: (603) 542-5312

PROJECT: VT RT 9, BRIDGE NO. 11
TOWN OF WOODFORD, VT
OVER WALDOMSAC RIVER

TITLE: ABUTMENT CROSS FRAME

REFERENCE: PROJECT NO. ER BHF 010-1 (44)

DESIGNED BY	BR	DATE	JULY 2012	PROJECT NO.	UN04260
CHECKED BY	GG	DATE	JULY 2012	SCALE	116