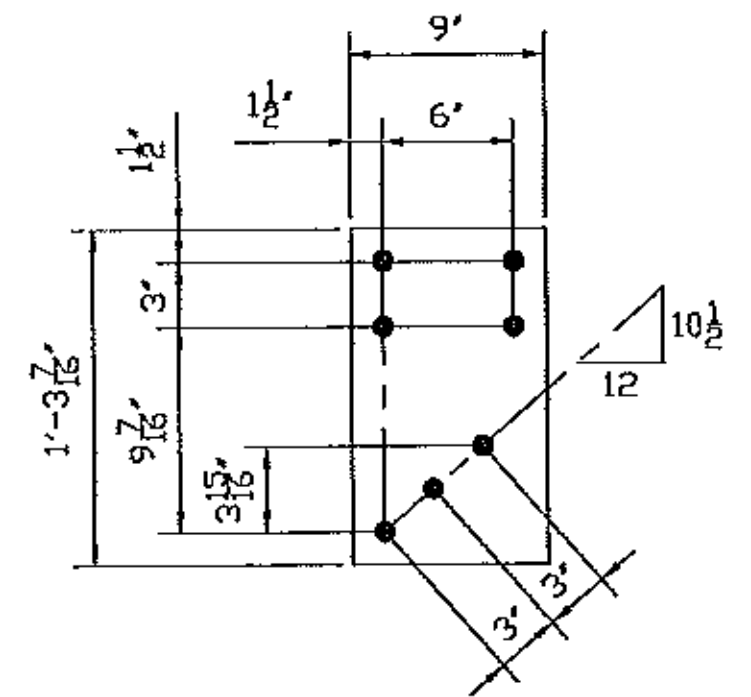
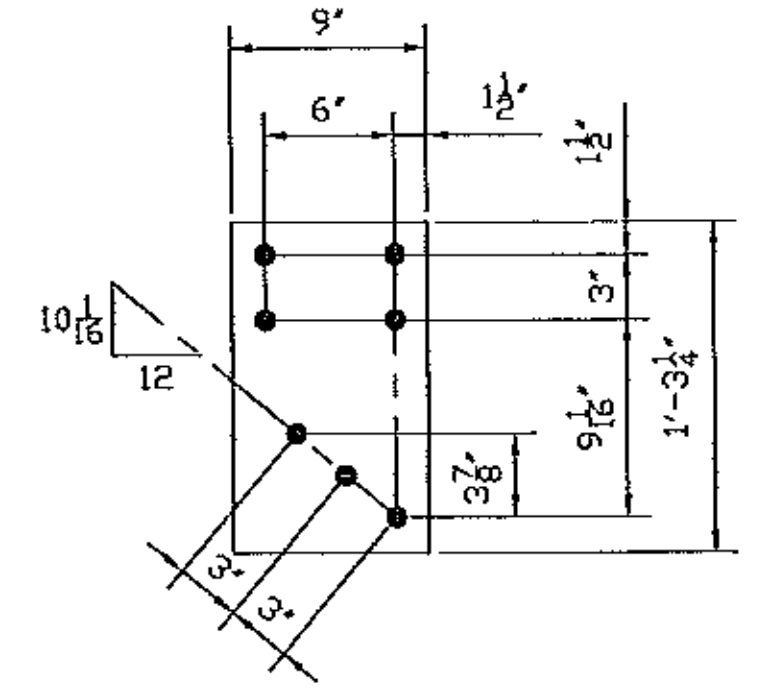


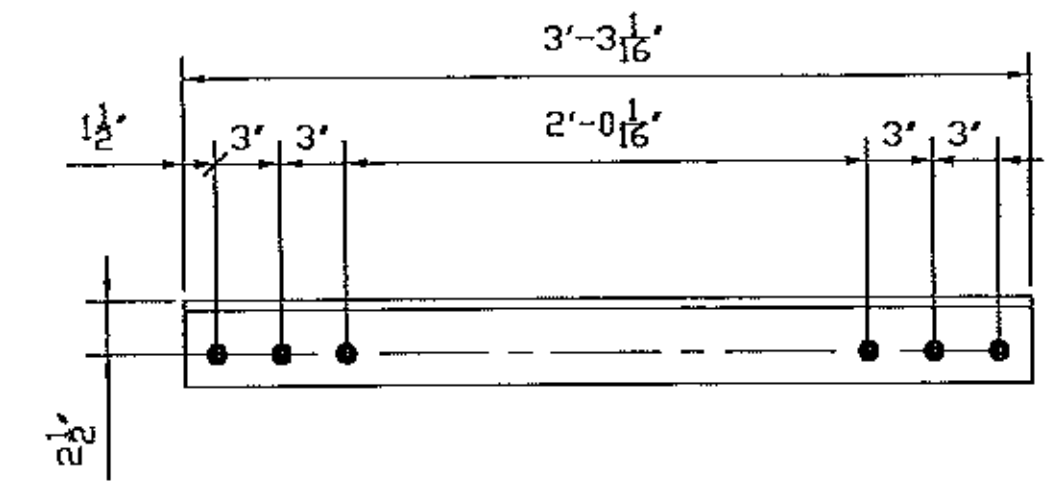
ONE - CROSS FRAME 115CF1  
PAINTED



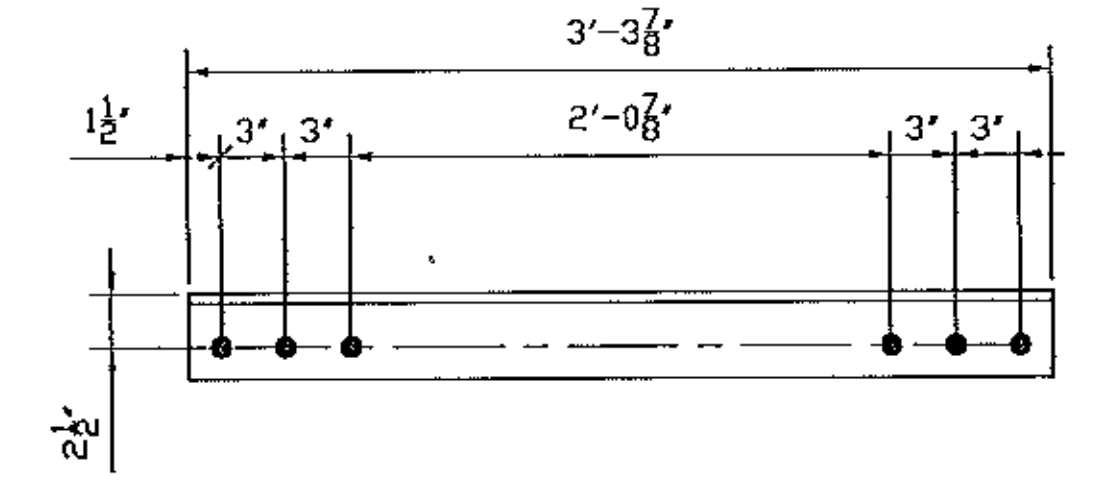
PL1/2x9x1-3 7/16 - x115a



PL1/2x9x1-3 1/4 - x115b



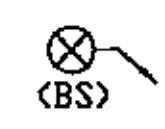
L4x4x1/2x3-3 1/16 - x115d



L4x4x1/2x3-3 7/8 - x115e

GENERAL NOTES: SEE GN100  
HOLES: 15/16 (UN.)  
CLEANING AND PAINTING: SEE SHEET P100 AND P101

PRIMER ONLY, NO PAINT  
BOTH SIDES 75 mm DIA AROUND HOLE  
WHERE NOTED WITH THIS SYMBOL



337

BILL OF MATERIAL									
Mark	Qty	Description	SU	Length	Remark	ABM	Total Weight (lbs)	Seq	Qty /Seq
115CF1	ONE	CROSS FRAME	Grd						
115CF1	1	CROSS FRAME		9-4 1/8	PAINT				
x115a	1	PL1/2x9	A70950W	1- 3 7/16		104-5	20		
x115b	1	PL1/2x9	A70950W	1- 3 1/4		104-5	19		
x115c	1	MC8x22.8	A70950W	9-4 1/8		104-1	213		
x115d	1	L4x4x1/2	A70950W	3-3 1/16		104-3	42		
x115e	1	L4x4x1/2	A70950W	3-3 7/8		104-3	43		
78S212	14	.7/8 Dia A325 TYP3		2 1/2	1FL WASH				
78F212	14	.7/8 Dia A325 TYP3		2 1/2	1FL WASH				

Vermont Agency of Transportation  
**RECEIVED**  
CK'D BY M.E.M. OK'D BY C.W.M.  
Jan. 29, 2013  
RESUBMIT APPROVED AS NOTED ✓  
BY C. CARLSON DATE 01-29-2013

No	REVISION	DATE	PAR	VER.
	CROSSFRAME MODIFIED	01/16/13	BR	GG
	CROSSFRAME MODIFIED	09/17/12	BR	GG
	FOR SHOP	08/03/12	SM	GG
	FOR APPROVAL	07/06/12	BR	EG

NOTE: BOLT 1 WASHER: 1 WASHER UNDER NUT U.N.  
BOLT 2 WASHER: 1 WASHER UNDER HEAD U.N.  
1 WASHER UNDER HEAD U.N.

**STRUCTAL**  
Bridges  
386 River Road, Claremont, NH 03743  
Tel: (603) 542-5202 Fax: (603) 542-5312  
A Division of **CANAM** BRIDGE INC.

PROJECT: VT RT 9, BRIDGE NO. 11  
TOWN OF WOODFORD, VT  
OVER WALDOOMSAC RIVER

TITLE: ABUTMENT CROSS FRAME

REFERENCE: PROJECT NO. ER BHF 010-1 (44)

DESIGNED BY: BR	DATE: JULY 2012	CONTRACT NO: UN04260
CHECKED BY: GG	DATE: JULY 2012	115