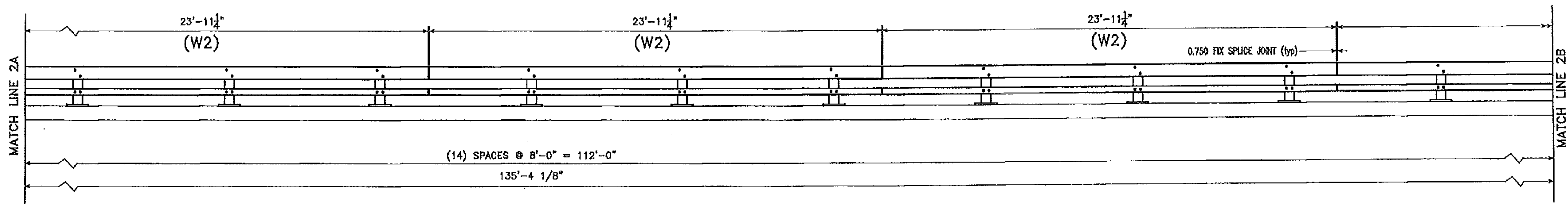
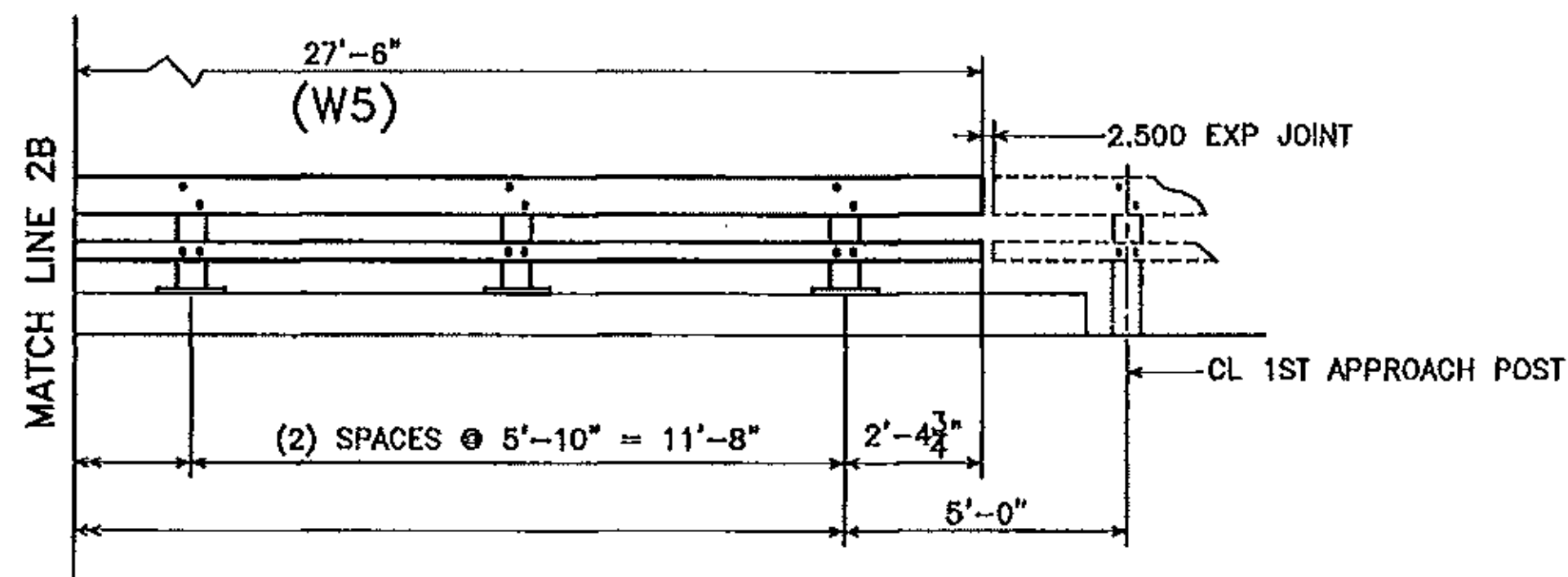


BILL OF MATERIAL (SOUTH RAIL)				
Mk#	Qty.	Description	Size/Shape	Material
POST				
18		BRIDGE RAIL PED POST 2'-0 3/8" OAH W/ BASE PLATE		
18		POST UPRIGHT	W6 x 25	1'-11 3/8" A709 Gr. 50
18		POST BASE PLATE	10" x 1"	1'-2" A709 Gr. 50
SPLICE				
6		UPPER SPLICE TUBE FOR 8 x 4 RAIL		
6		TUBE	TS 7x3x3/8	1'-8" A500 Gr. B
12		WELDED LOCK NUT (OUTER HOLES ONLY)	5/8"	A563
6		LOWER SPLICE TUBE FOR 4 x 4 RAIL		
6		TUBE	TS 3x3x5/16	1'-8" A500 Gr. B
12		WELDED LOCK NUT (OUTER HOLES ONLY)	5/8"	A563
RAIL				
W2	3	UPPER RAIL	FIX SPLICE BOTH ENDS	TS 8x4x5/16 23'-11 1/4" A500 Gr. B
	3	LOWER RAIL	FIX SPLICE BOTH ENDS	TS 4x4x1/4 23'-11 1/4" A500 Gr. B
W5	2	UPPER RAIL	1 END FIX, 1 END EXP	TS 8x4x5/16 27'-6" A500 Gr. B
	2	LOWER RAIL	1 END FIX, 1 END EXP	TS 4x4x1/4 27'-6" A500 Gr. B
W6	1	UPPER RAIL	1 END FIX, 1 END EXP	TS 8x4x5/16 28'-0 7/16" A500 Gr. B
	1	LOWER RAIL	1 END FIX, 1 END EXP	TS 4x4x1/4 28'-0 7/16" A500 Gr. B
HARDWARE				
17		ANCHOR PLATE	9 3/8" x 3/8"	1'-1" A36
72		ANCHOR STUD	1" DIA	12" A449
68		JAMB NUT	1" DIA	A563
140		HEAVY HEX NUT	1" DIA	A563DH
72		WASHER	1" DIA	F436
72		ROUND HEAD BOLT	3/4" DIA	6" M164 type 1
72		LOCK NUT	3/4" DIA	A563DH
72		WASHER	3/4" DIA	F436
48		CAP SCREW	5/8" DIA	1 3/4" A325
48		WASHER	5/8" DIA	F436
8		PIPE SPACER (SCH. 40)	3/4" DIA	1/2" A53
18		BEARING PAD	10" x 1/8"	1'-2" M251



SOUTH RAIL ELEVATION
facing south from center of road



PAY LENGTH ITEM 525.33 NETC 2 RAIL BRIDGE RAIL = 155.3 LF

HIGHWAY SAFETY CORP
GLASTONBURY, CT
860-633-9445

ITEM 525.33 NETC 2 RAIL BRIDGE RAIL
VT RT 9 BRIDGE NO. 11
TOWN OF WOODFORD
COUNTY OF BENNINGTON, VERMONT
PROJECT NO. ER BHF 010-1(44)

CERTIFIED FABRICATOR

1881

GENERAL CONTRACTOR
CONTRACTOR T BUCK CONSTRUCTION
DRAWN BY MHM CHECKED BY PAR DATE 05-31-12 SCALE NONE SIZE D

No.	Remarks	Date
1	APPROVED-AS-NOTED CORRECTIONS	07-16-12
A	CORRECTED SUBMITTAL	07-10-12
0	Initial submittal	05-31-12

REVISIONS