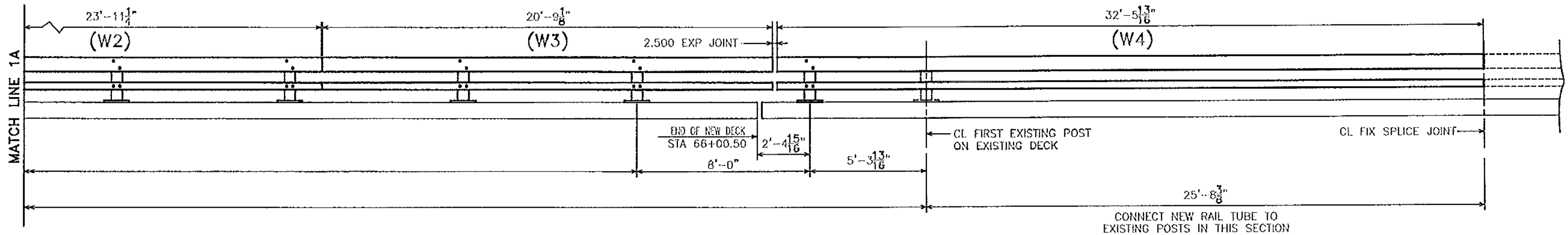


BILL OF MATERIAL (NORTH RAIL)				
Mk#	Qty.	Description	Size/Shape	Material
POST				
12		BRIDGE RAIL PED POST 2'-0 3/8" OAH W/ BASE PLATE		
12		POST UPRIGHT	W6 x 25	1'-11 3/8" A709 Gr. 50
12		POST BASE PLATE	10" x 1"	1'-2" A709 Gr. 50
SPLICE				
5		UPPER SPLICE TUBE FOR 8 x 4 RAIL		
5		TUBE	TS 7x3x3/8	1'-8" A500 Gr. B
10		WELDED LOCK NUT (OUTER HOLES ONLY)	5/8"	A563
5		LOWER SPLICE TUBE FOR 4 x 4 RAIL		
5		TUBE	TS 3x3x5/16	1'-8" A500 Gr. B
10		WELDED LOCK NUT (OUTER HOLES ONLY)	5/8"	A563
RAIL				
W1	1	UPPER RAIL 1 END FC, 1 END DP	TS 8x4x5/16	17'-2 3/16" A500 Gr. B
	1	LOWER RAIL 1 END FC, 1 END DP	TS 4x4x1/4	17'-2 3/16" A500 Gr. B
W2	2	UPPER RAIL FIX SPLICE BOTH ENDS	TS 8x4x5/16	23'-11 1/4" A500 Gr. B
	2	LOWER RAIL FIX SPLICE BOTH ENDS	TS 4x4x1/4	23'-11 1/4" A500 Gr. B
W3	1	UPPER RAIL 1 END FC, 1 END DP	TS 8x4x5/16	20'-9 1/8" A500 Gr. B
	1	LOWER RAIL 1 END FC, 1 END DP	TS 4x4x1/4	20'-9 1/8" A500 Gr. B
W4	1	UPPER RAIL 1 END FC, 1 END DP	TS 8x4x5/16	32'-5 13/16" A500 Gr. B
	1	LOWER RAIL 1 END FC, 1 END DP	TS 4x4x1/4	32'-5 13/16" A500 Gr. B
HARDWARE				
11		ANCHOR PLATE	9 3/8" x 3/8"	1'-1" A36
48		ANCHOR STUD	1" DIA.	12" A449
44		JAMB NUT	1" DIA.	A563
92		HEAVY HEX NUT	1" DIA.	A5630H
48		WASHER	1" DIA.	F436
48		ROUND HEAD BOLT	3/4" DIA.	6" M164 type 1
48		LOCK NUT	3/4" DIA.	A5630H
48		WASHER	3/4" DIA.	F436
40		CAP SCREW	5/8" DIA.	1 3/4" A325
40		WASHER	5/8" DIA.	F436
8		PIPE SPACER (SCH. 40)	3/4" DIA.	1/2" A53
12		BEARING PAD	10" x 1/8"	1'-2" M251



PAY LENGTH ITEM 525.33 NETC 2 RAIL BRIDGE RAIL = 118.7 LF

Vermont Agency of Transportation

RECEIVED

CK'D BY GFR OK'D BY CAM

07/13/2012

RESUBMIT APPROVED X

BY C. CARLSON DATE 07/16/2012

HIGHWAY SAFETY CORP

GLASTONBURY, CT
860-633-9445

ITEM 525.33 NETC 2 RAIL BRIDGE RAIL
VT RT 9 BRIDGE NO. 11
TOWN OF WOODFORD
COUNTY OF BENNINGTON, VERMONT
PROJECT NO. ER BHF 010-1(44)

CERTIFIED FABRICATOR

1881

1 of 4

T BUCK CONSTRUCTION

MMH PAR 05-31-12 NONE D

No.	Remarks	Date
A	CORRECTED SUBMITTAL	
O	Initial submittal	05-31-12
REVISIONS		