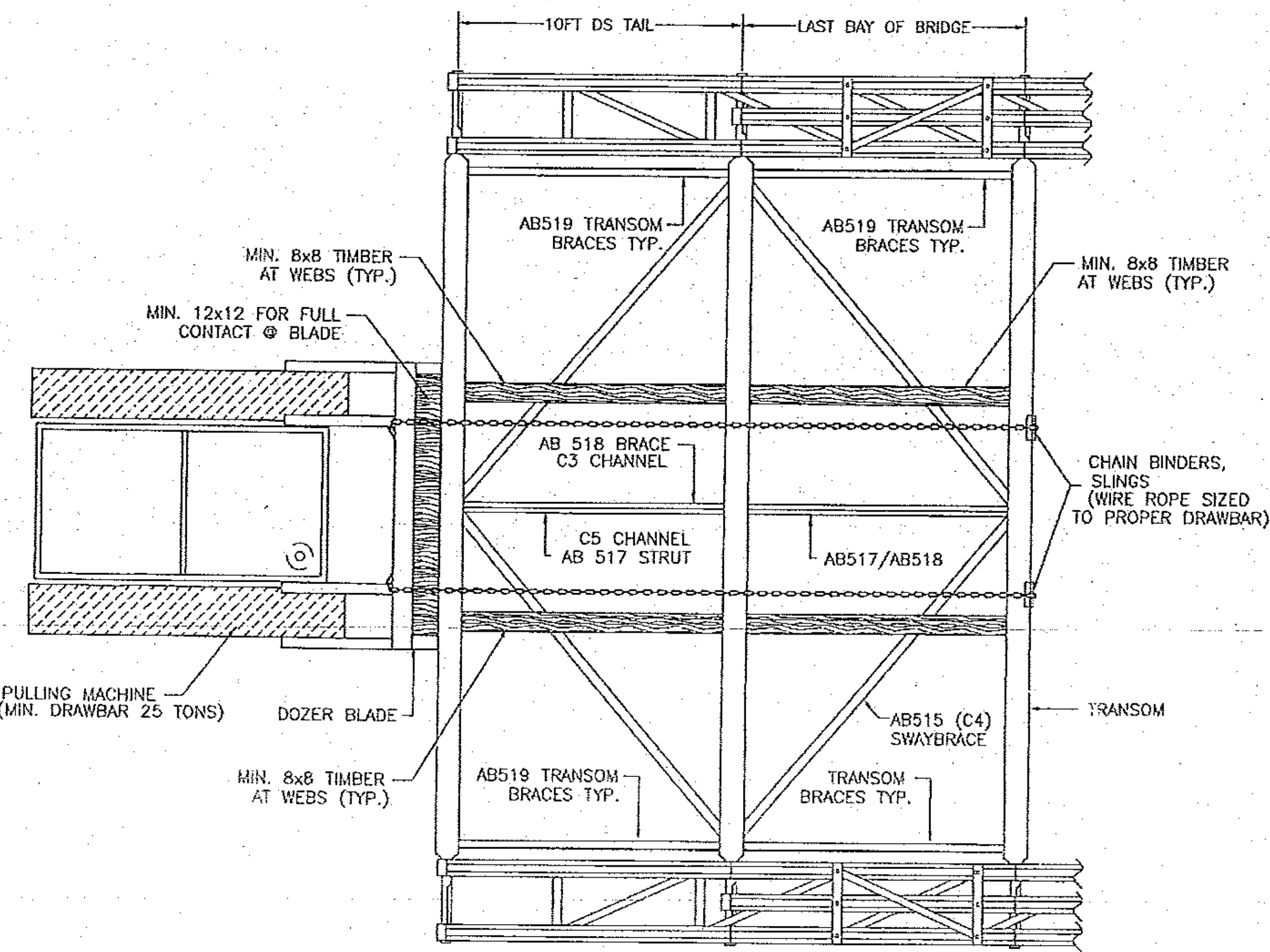
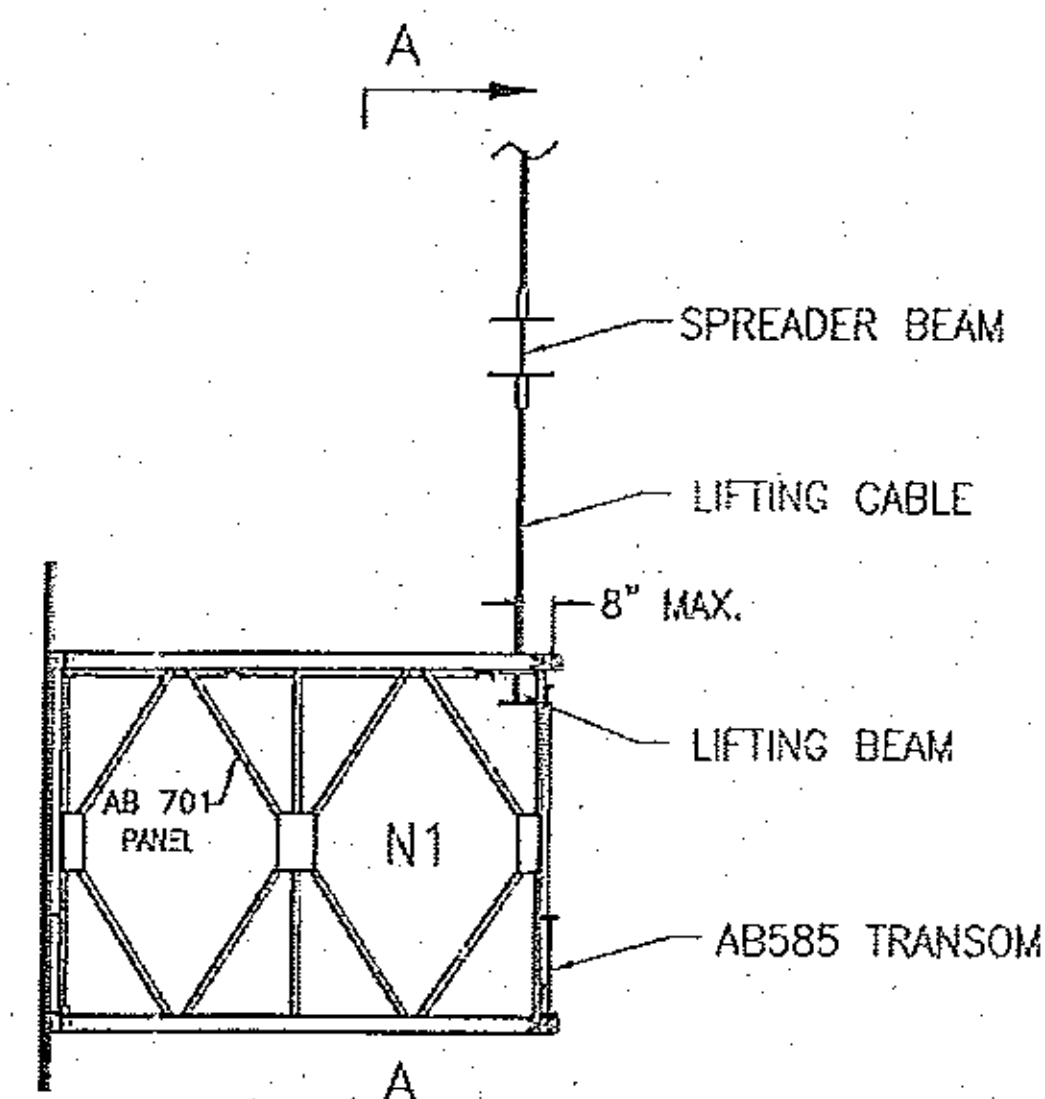


CENTER OF BRIDGE DETAIL
8x8 TIMBER STRUT NOT SHOWN FOR CLARITY

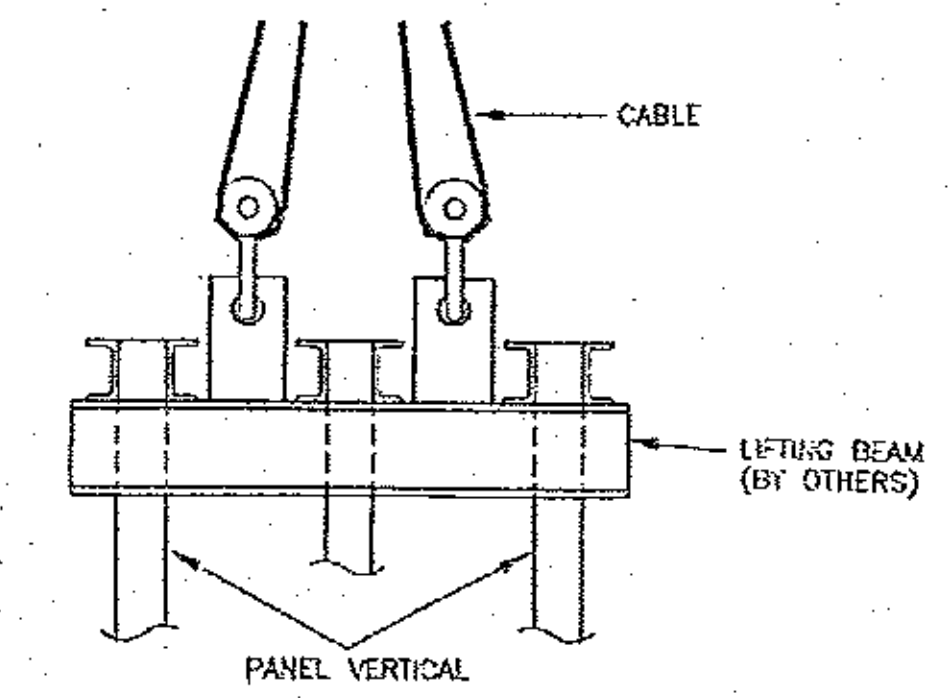
NOTE:
THIS BRACING DETAIL APPLIES TO LAST 2 BAYS FOR EVERY PUSH
(SWAYBRACING, TIMBER, CENTER & TRANSOM BRACING)



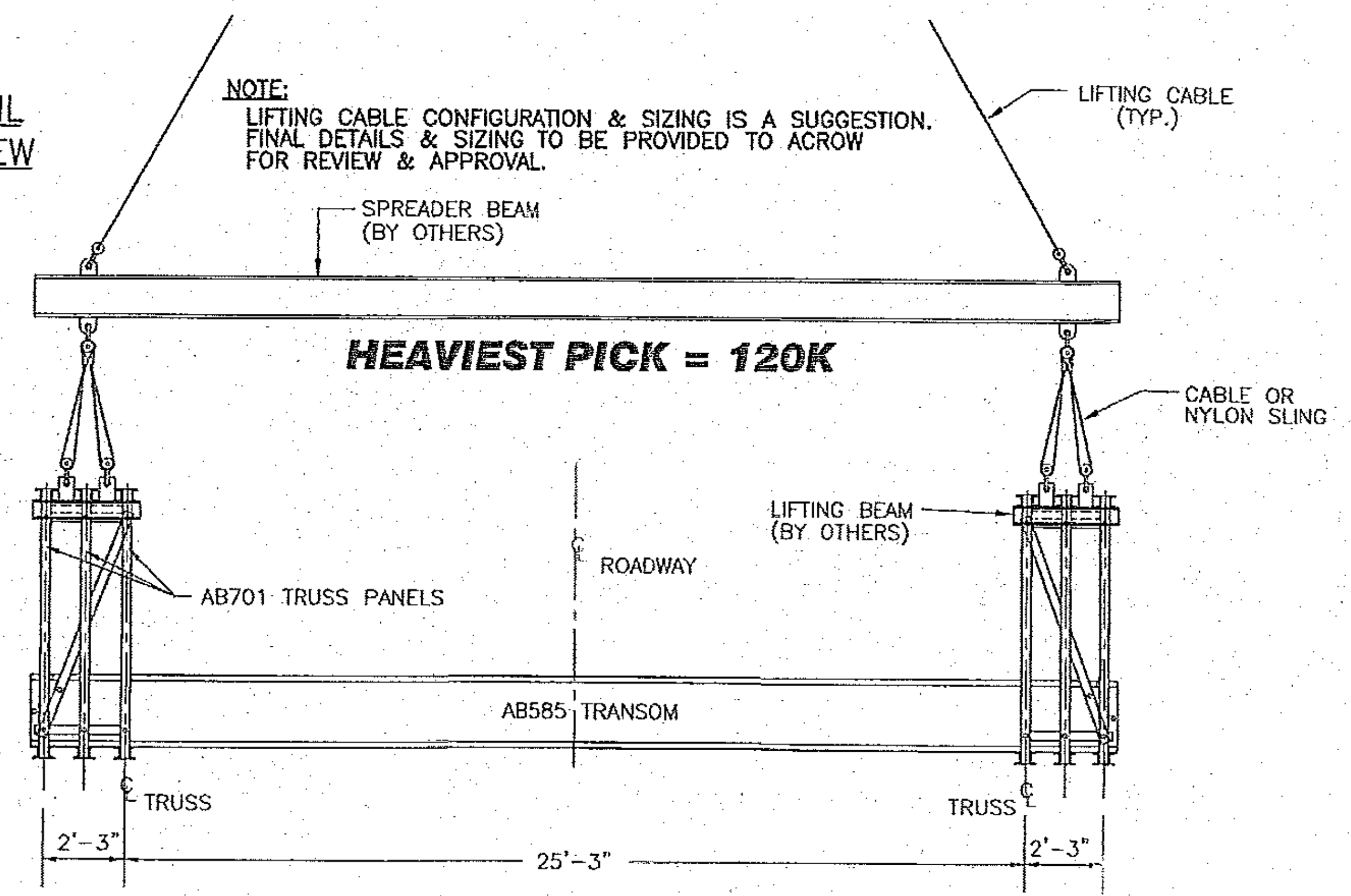
PLAN



**TS NOSE
LIFTING DETAIL
ELEVATION VIEW**



TYPICAL DETAIL @ TOP CHORD



**SECTION A-A
LIFTING DETAIL**

NOTES:
1. ALL RIGGING PROVIDED & SIZED BY ERECTOR
2. CRANE SIZING & SET-UP BY OTHERS

INFORMATION DISCLOSED HEREIN IS THE PROPERTY OF ACROW CORPORATION OF AMERICA. THIS MATERIAL IS PRIVILEGED AND CONFIDENTIAL. IT IS INTENDED SOLELY FOR THE ADDRESSEE. ANY UNAUTHORIZED DISCLOSURE, REPRODUCTION, OR DISTRIBUTION IS PROHIBITED. DUPLICATION OF ANY PORTION OF THIS DATA SHALL INCLUDE THIS LEGEND. 00P-1802-1 ACROW CORP 2012

				CREATING ENGINEERED SOLUTIONS WORLDWIDE®	
				CORPORATION OF AMERICA 181 NEW ROAD, PARSIPPANY, NJ 07054	
ACROW 700XS PANEL BRIDGE PULLING-BLOCKING/ RIGGING DETAIL 200FT x 2 LANE 24FT TOR3H BRIDGE WOODFORD, VT ER BHF 010-1(44)					
BY	RJ	DATE	NOVEMBER 21, 2012	CONTRACT NO.	
CHECKED BY	MP	SCALE:	AS SHOWN		
APPROVED BY	SP				
DESCRIPTION	T. BUCK CONSTRUCTION AUBURN, ME				DRAWING NO. AB1543-DL
REV. DATE					REV. SHT 3 OF 4