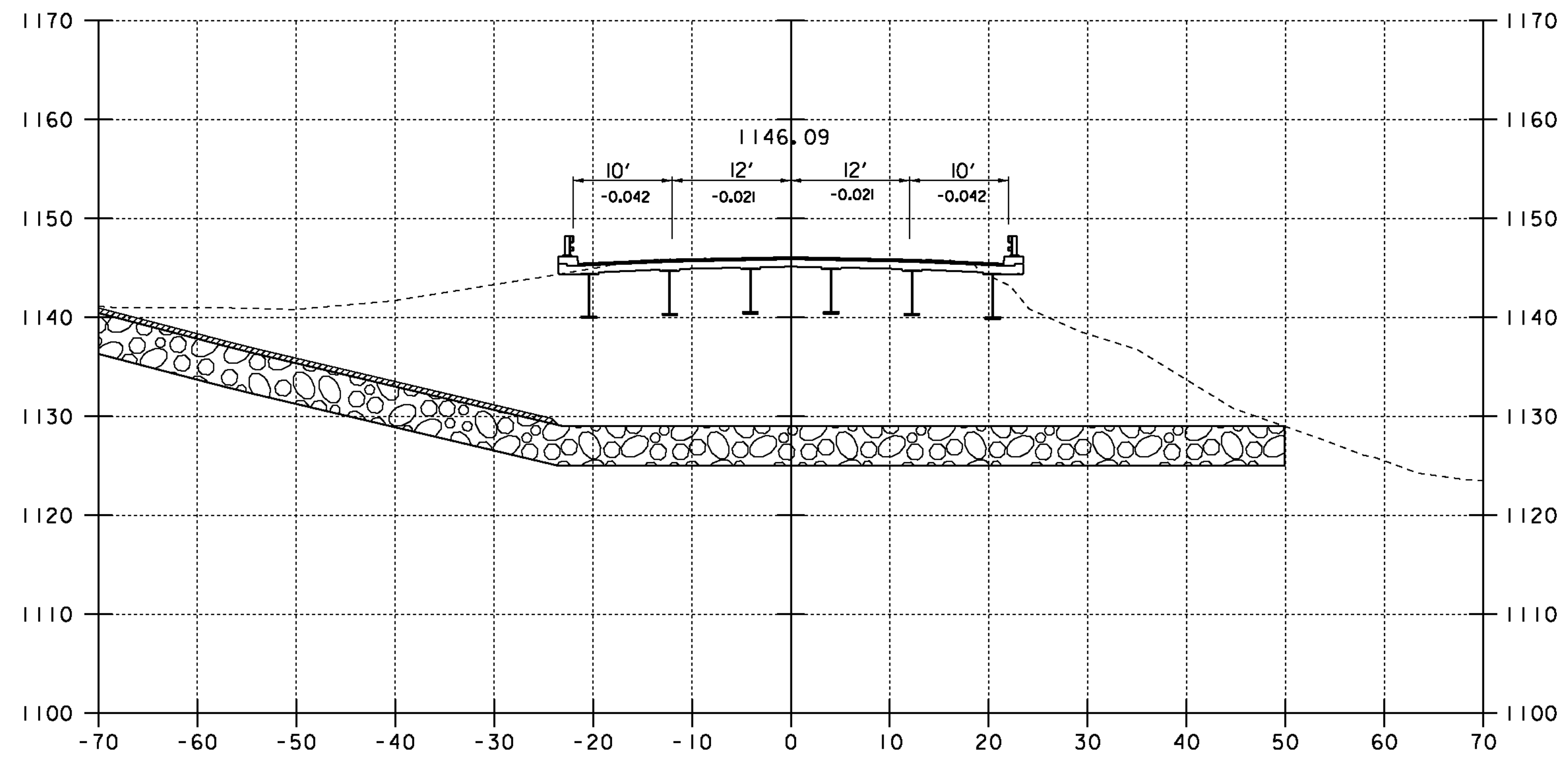
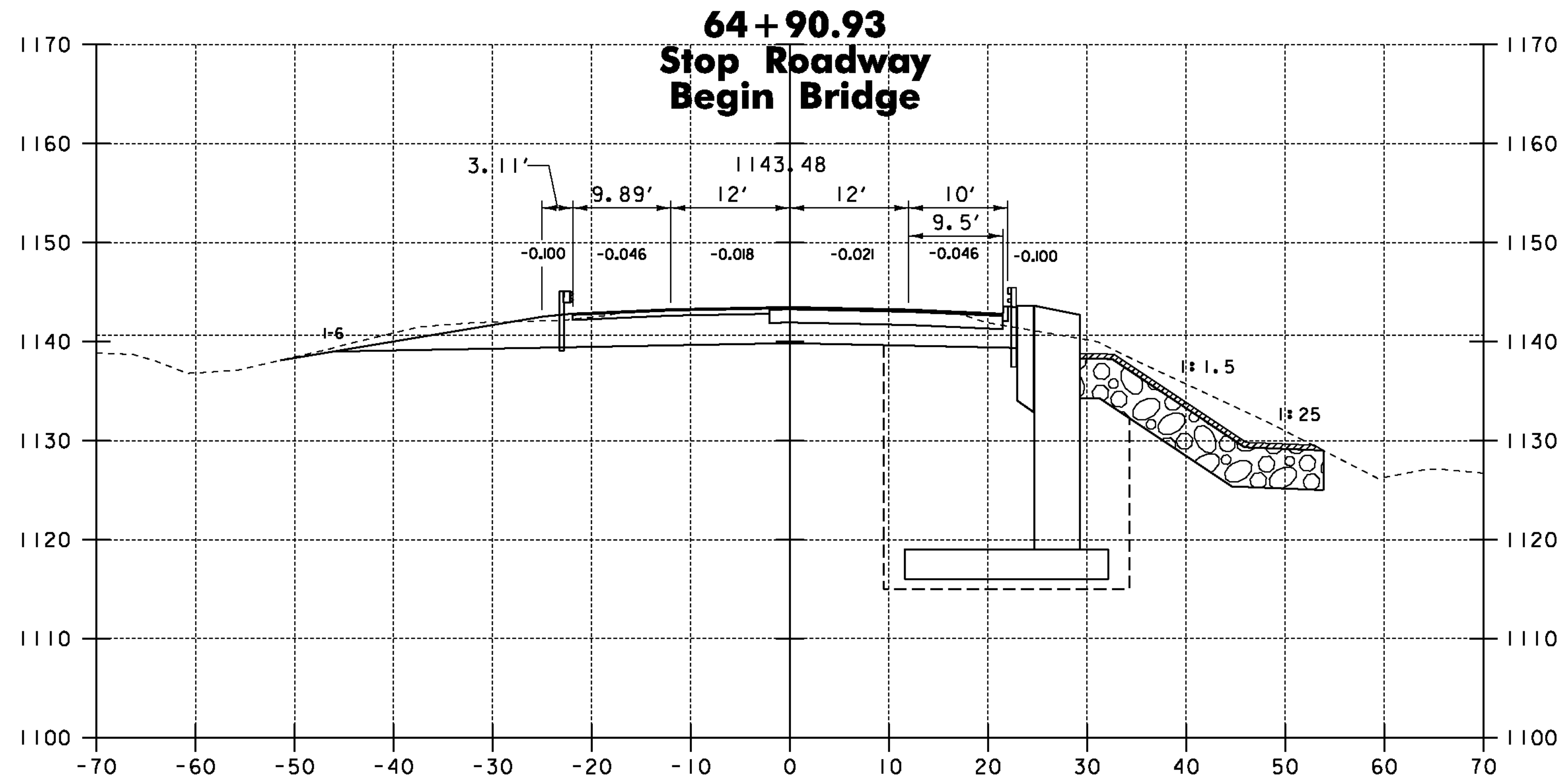


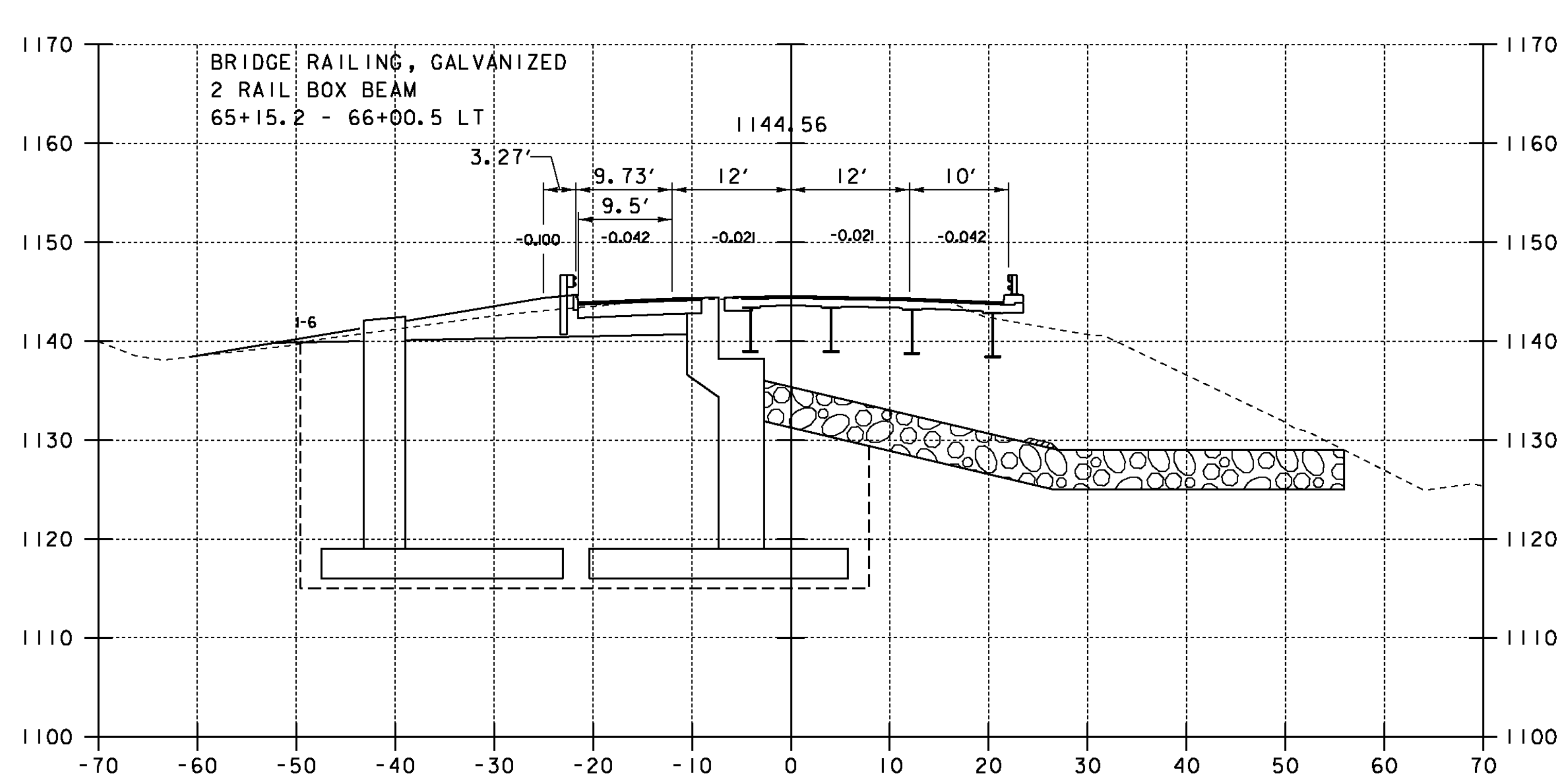
64+93



65+50



64+68



65+00

PROJECT NAME:	WOODFORD
PROJECT NUMBER:	ER BHF 010-1(44)
FILE NAME:	slb214xs.dgn
PROJECT LEADER:	C. CARLSON
DESIGNED BY:	M. EVANS-MONGEON
ROADWAY CROSS SECTIONS SHEET (3)	
PLOT DATE:	23-MAR-2012
DRAWN BY:	EVANS-MONGEON
CHECKED BY:	
SHEET	38 OF 58