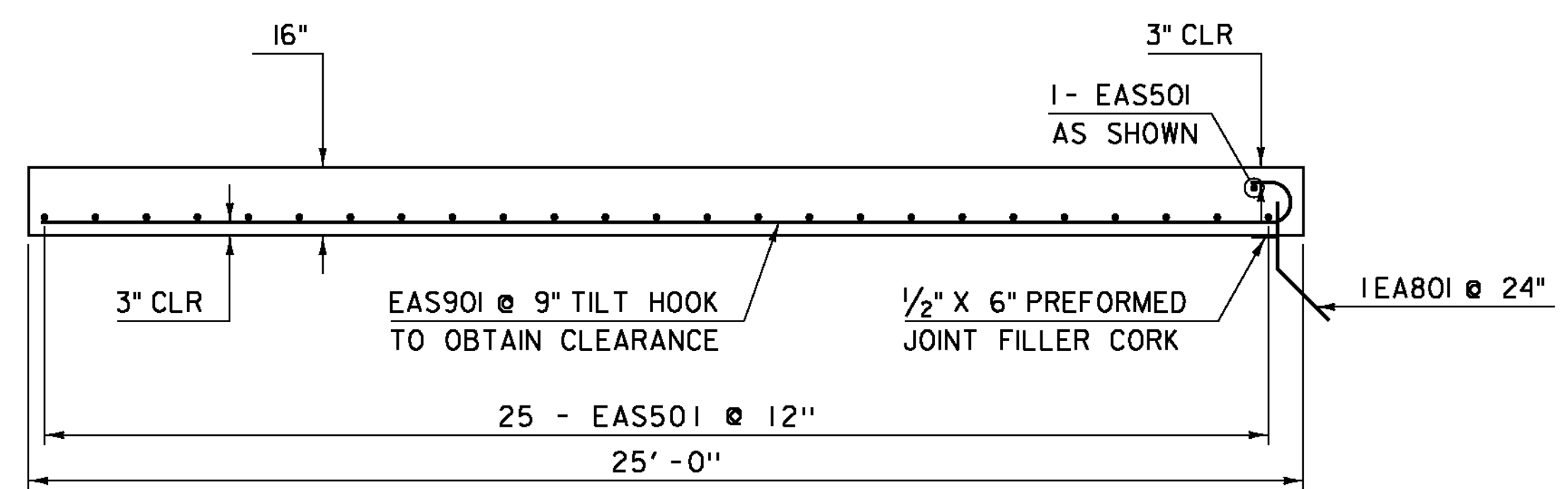
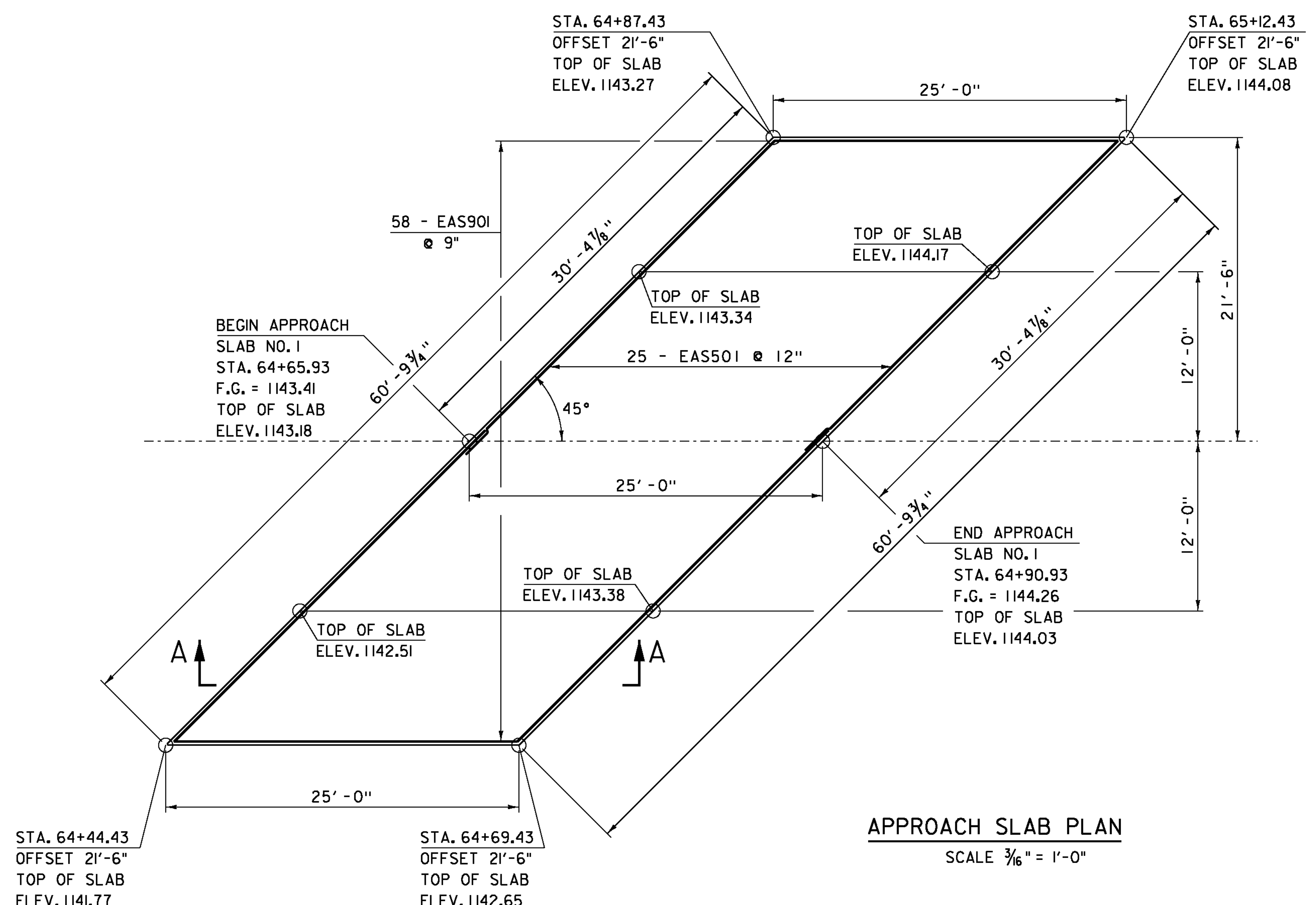


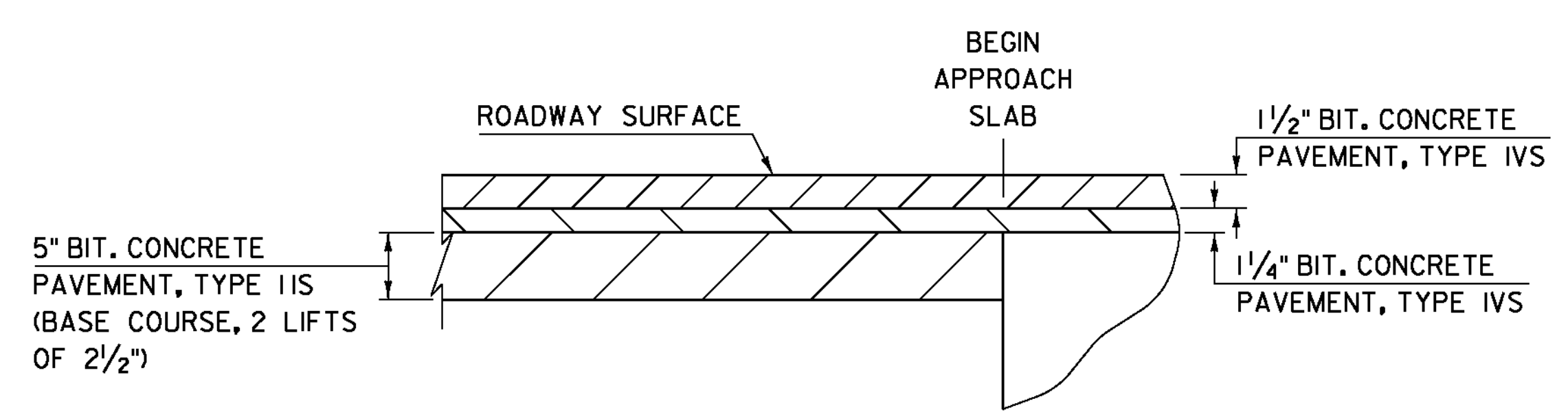
**APPROACH SLAB SECTION**  
SCALE 3/8" = 1'-0"



**SECTION A-A**  
SCALE 3/8" = 1'-0"



**APPROACH SLAB PLAN**  
SCALE 3/16" = 1'-0"



**DETAIL AT APPROACH SLAB END**  
NTS

|                                  |                              |
|----------------------------------|------------------------------|
| PROJECT NAME: WOODFORD           | PLOT DATE: 23-MAR-2012       |
| PROJECT NUMBER: ER BHF 010-1(44) | DRAWN BY: C. MOONEY          |
| FILE NAME: slb214sup.dgn         | CHECKED BY: M. EVANS-MONGEON |
| PROJECT LEADER: C. CARLSON       | SHEET 30 OF 58               |
| DESIGNED BY: M. EVANS-MONGEON    |                              |
| APPROACH SLAB DETAILS            |                              |