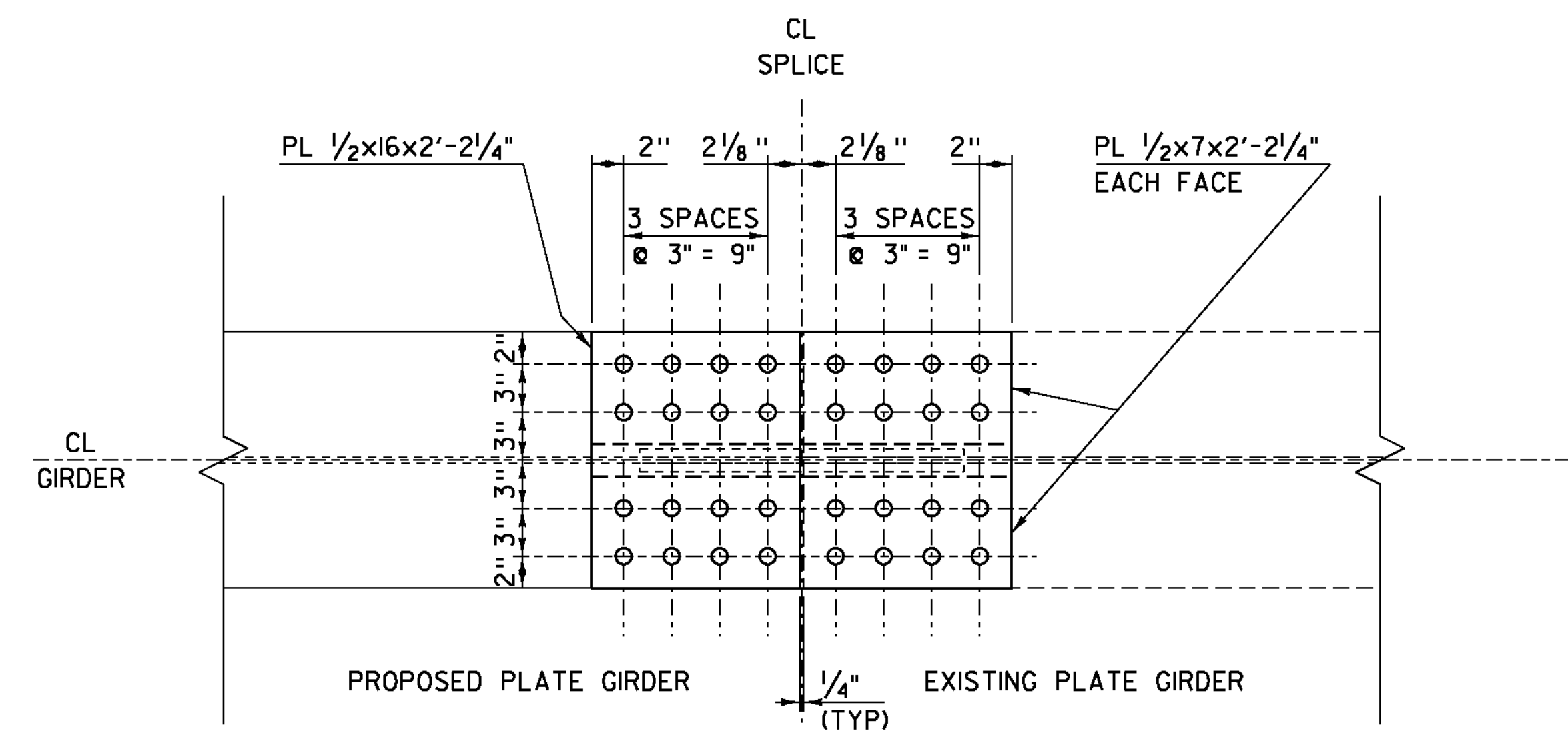
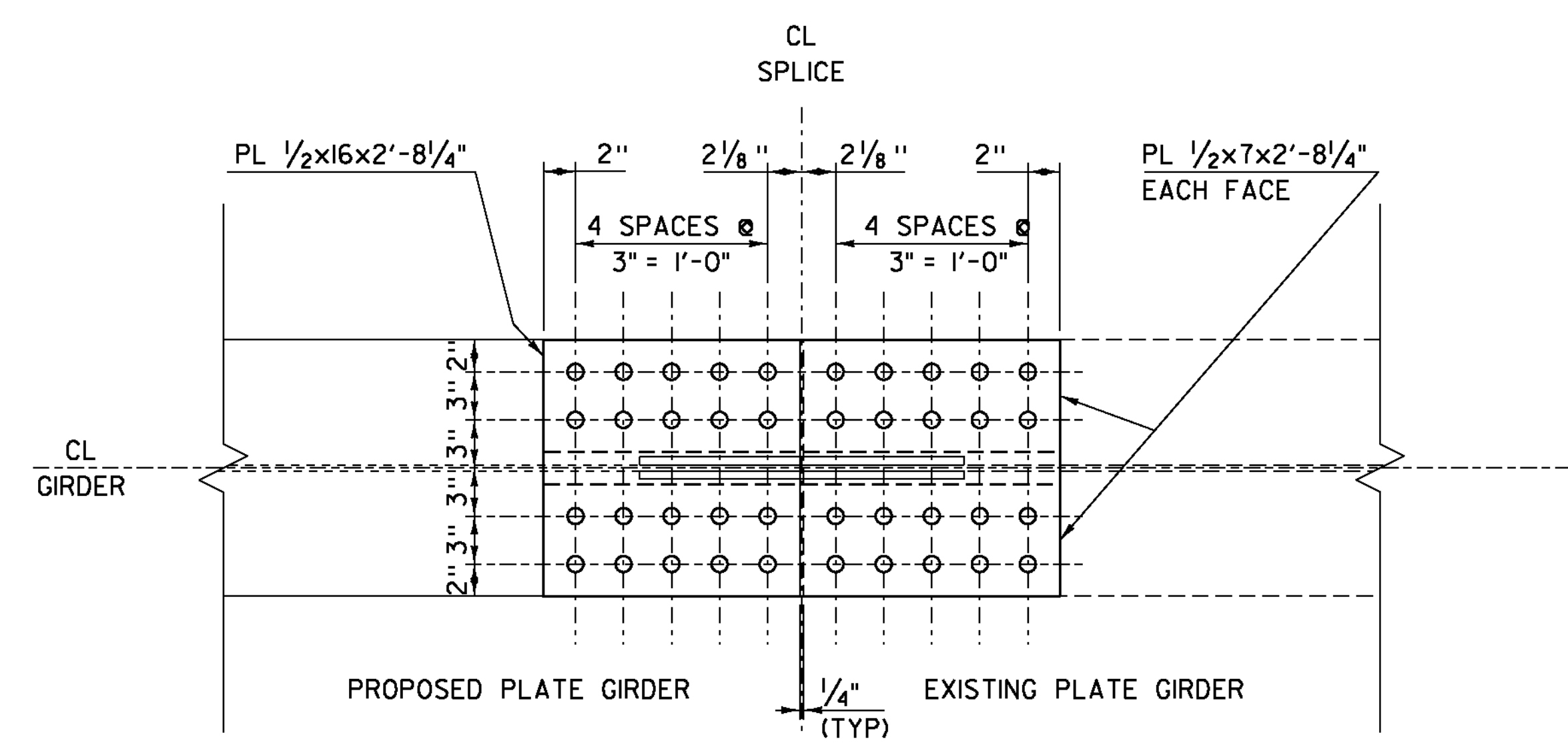


**ELEVATION VIEW SPLICE PLATE**  
SCALE 1/2" = 1'-0"



**PLAN VIEW TOP SPLICE PLATE**  
SCALE 1/2" = 1'-0"



**PLAN VIEW BOTTOM SPLICE PLATE**  
SCALE 1/2" = 1'-0"

PROJECT NAME:	WOODFORD
PROJECT NUMBER:	ER BHF 010-1(44)
FILE NAME:	slb214sup.dgn
PROJECT LEADER:	C. CARLSON
DESIGNED BY:	M. EVANS-MONGEON
GIRDER SPLICE DETAILS	
PLOT DATE:	23-MAR-2012
DRAWN BY:	C. MOONEY
CHECKED BY:	M. EVANS-MONGEON
SHEET	23 OF 58