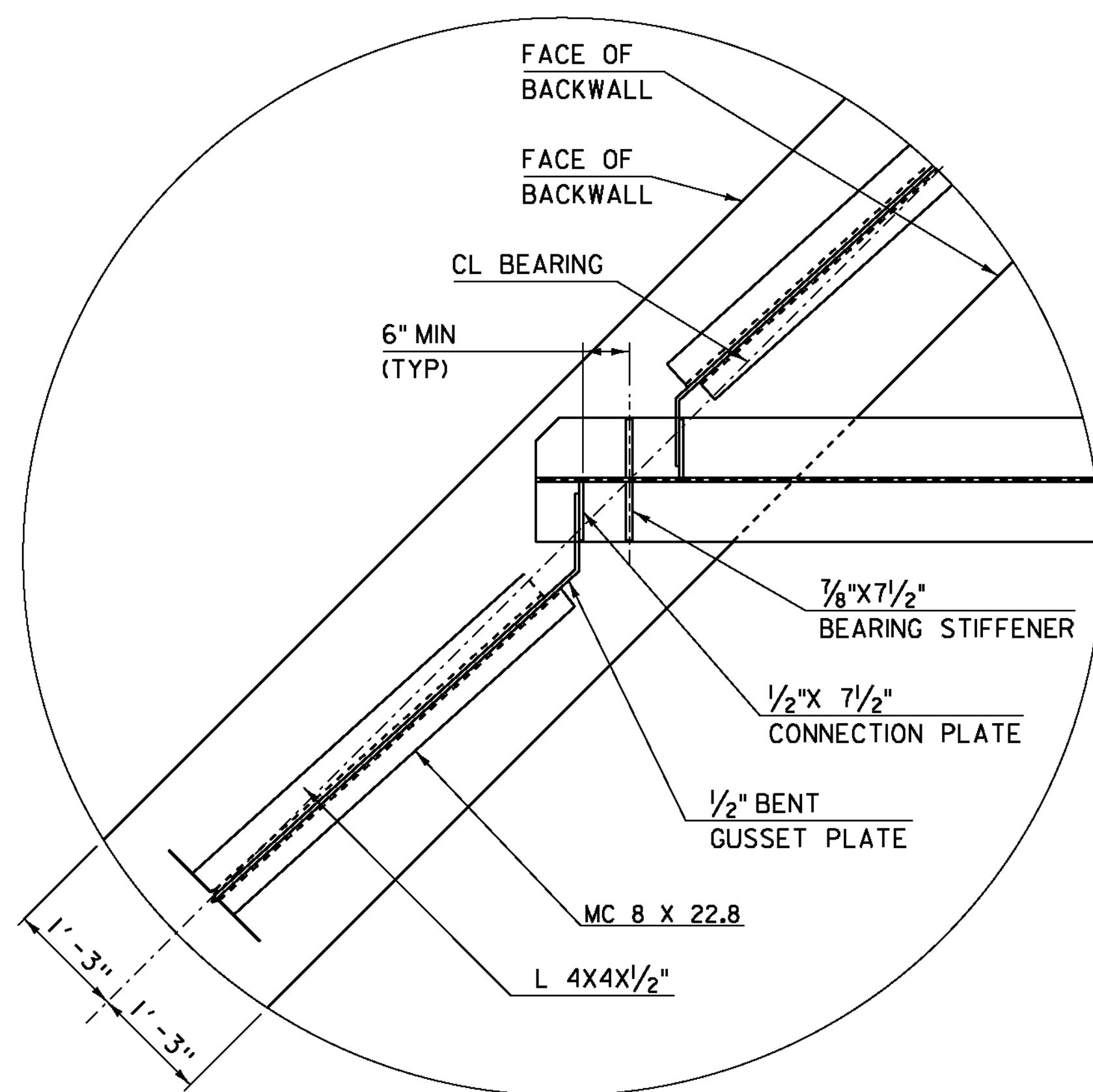


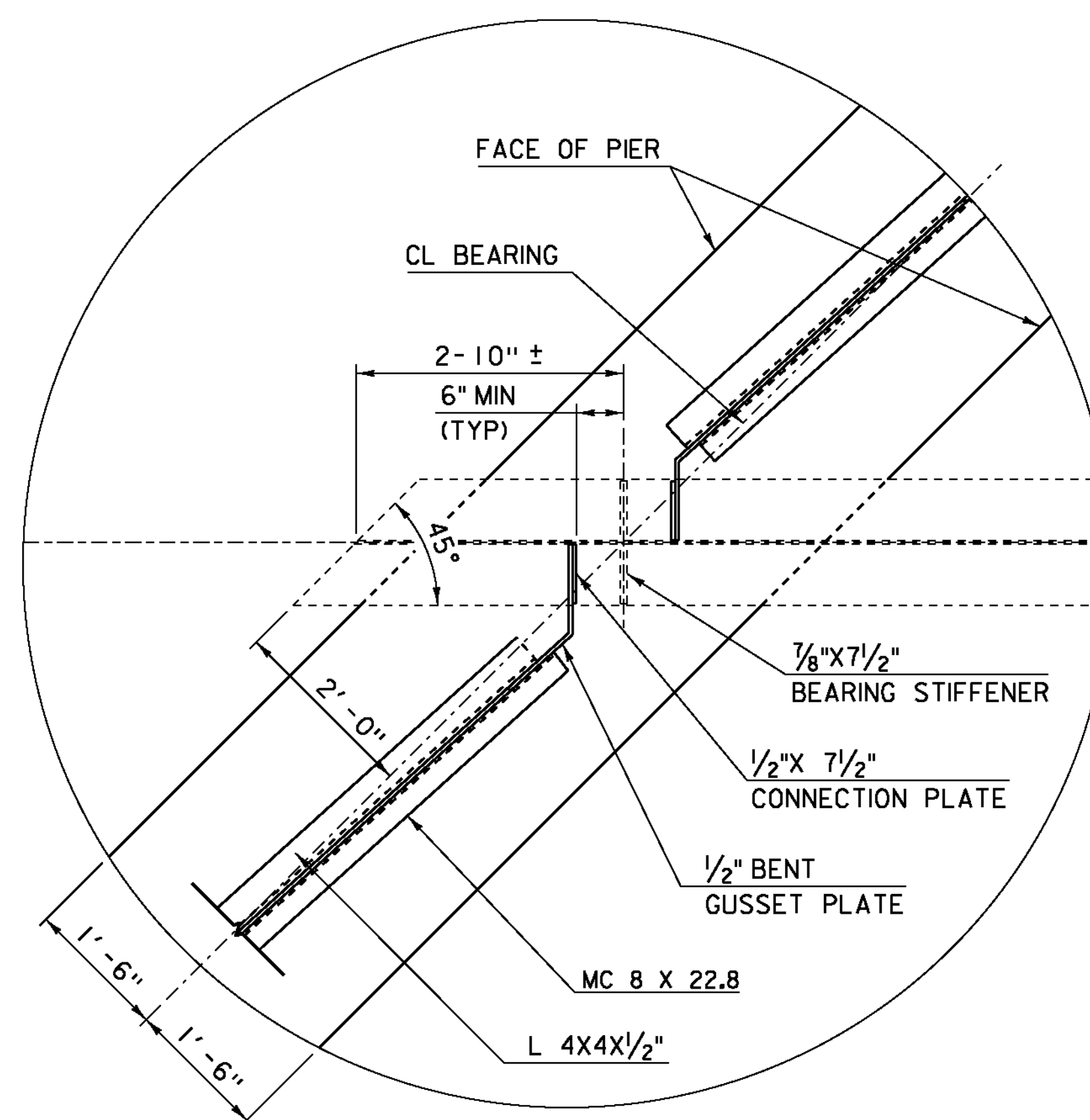
DECK FRAMING PLAN

SCALE 1" = 10'-0"



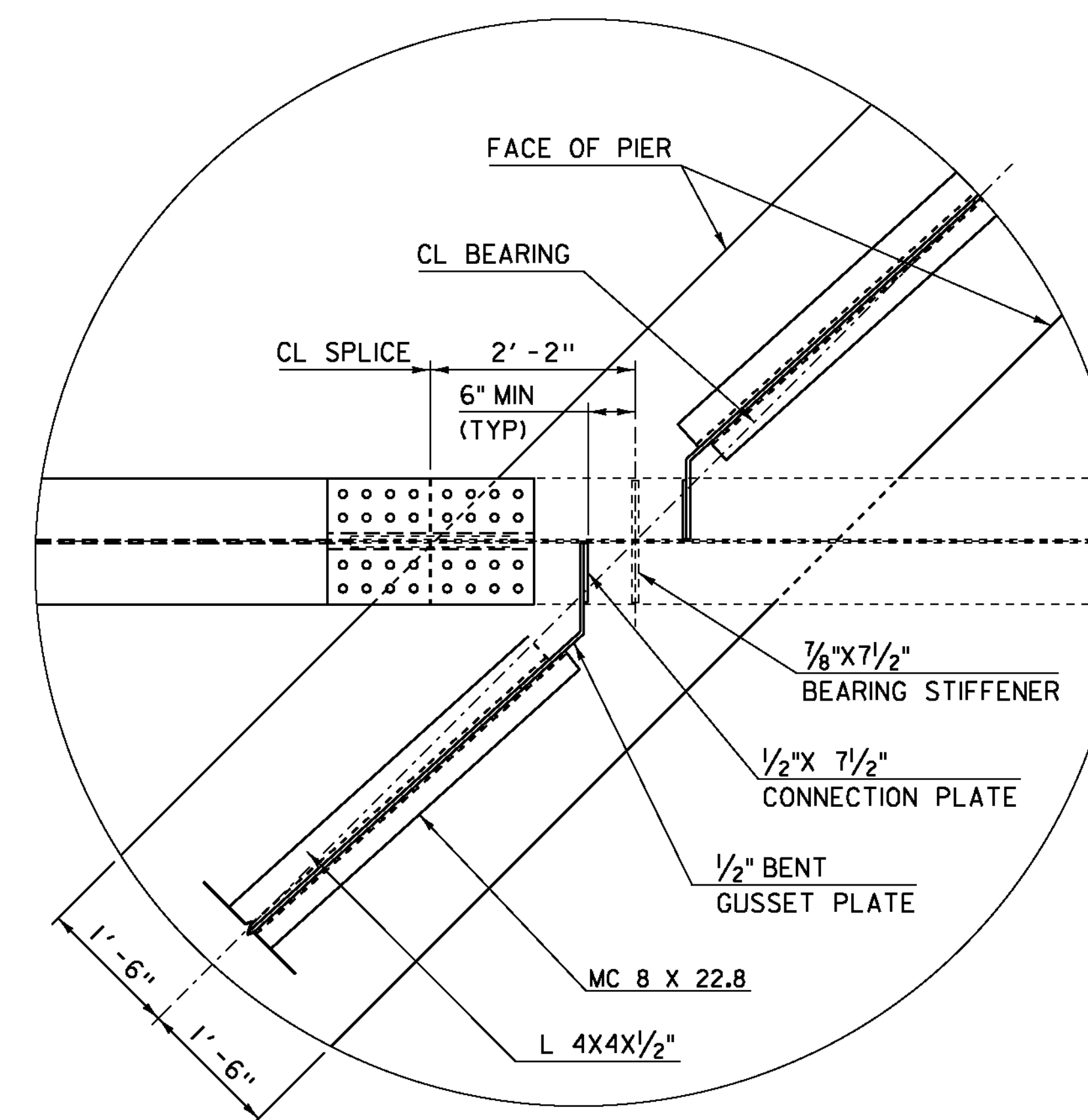
DETAIL "A"

SCALE 3/4" = 1'-0"



DETAIL "B" EXISTING CONDITION

SCALE 3/4" = 1'-0"



DETAIL "B" FINAL CONDITION

SCALE 3/4" = 1'-0"

PROJECT NAME: WOODFORD
PROJECT NUMBER: ER BHF 010-1(44)

FILE NAME: s1lb214sup.dgn
PROJECT LEADER: C. CARLSON
DESIGNED BY: M. EVANS-MONGEON
DECK FRAMING PLAN

PLOT DATE: 23-MAR-2012
DRAWN BY: C. MOONEY
CHECKED BY: M. EVANS-MONGEON
SHEET 21 OF 58