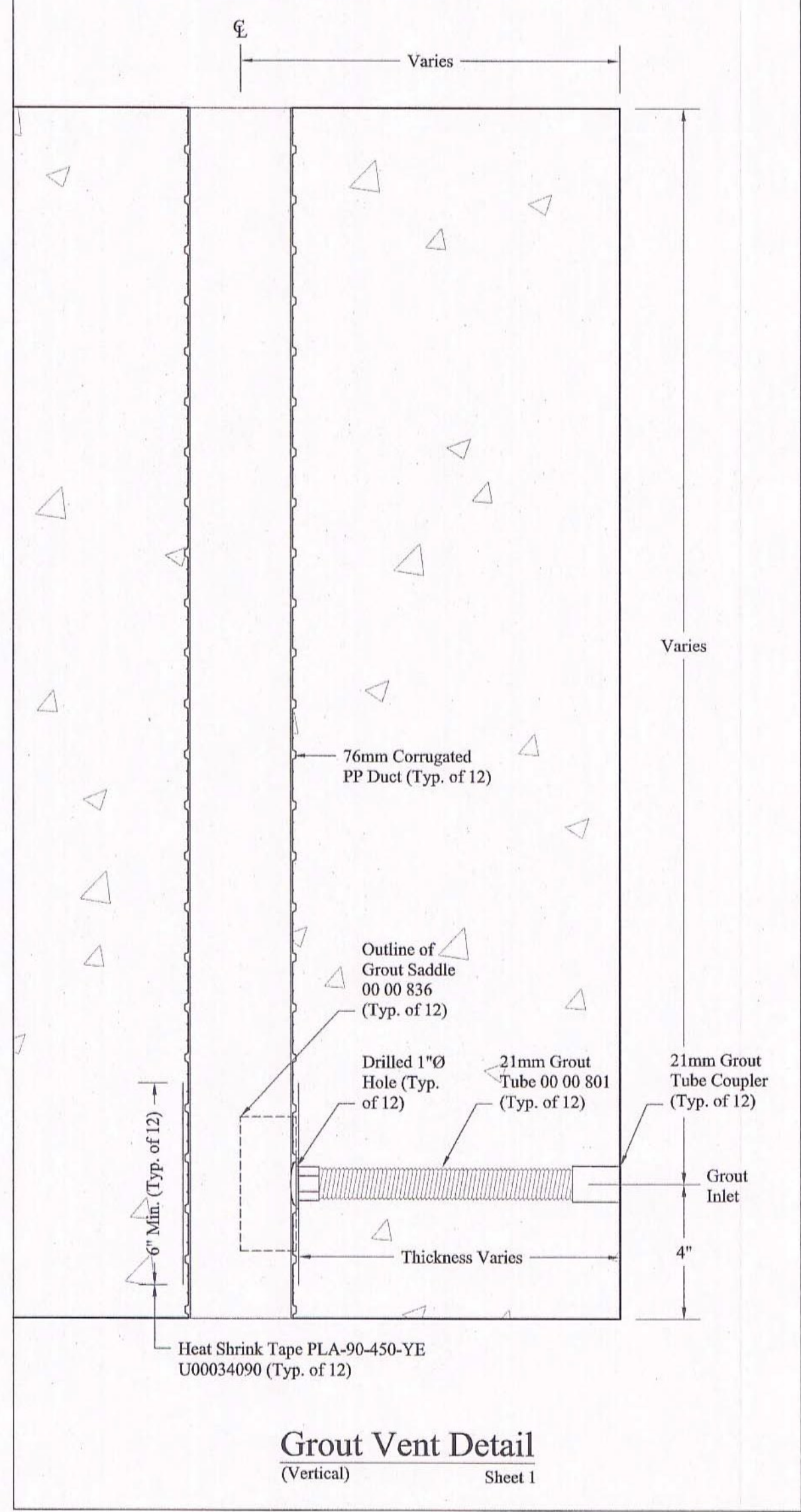
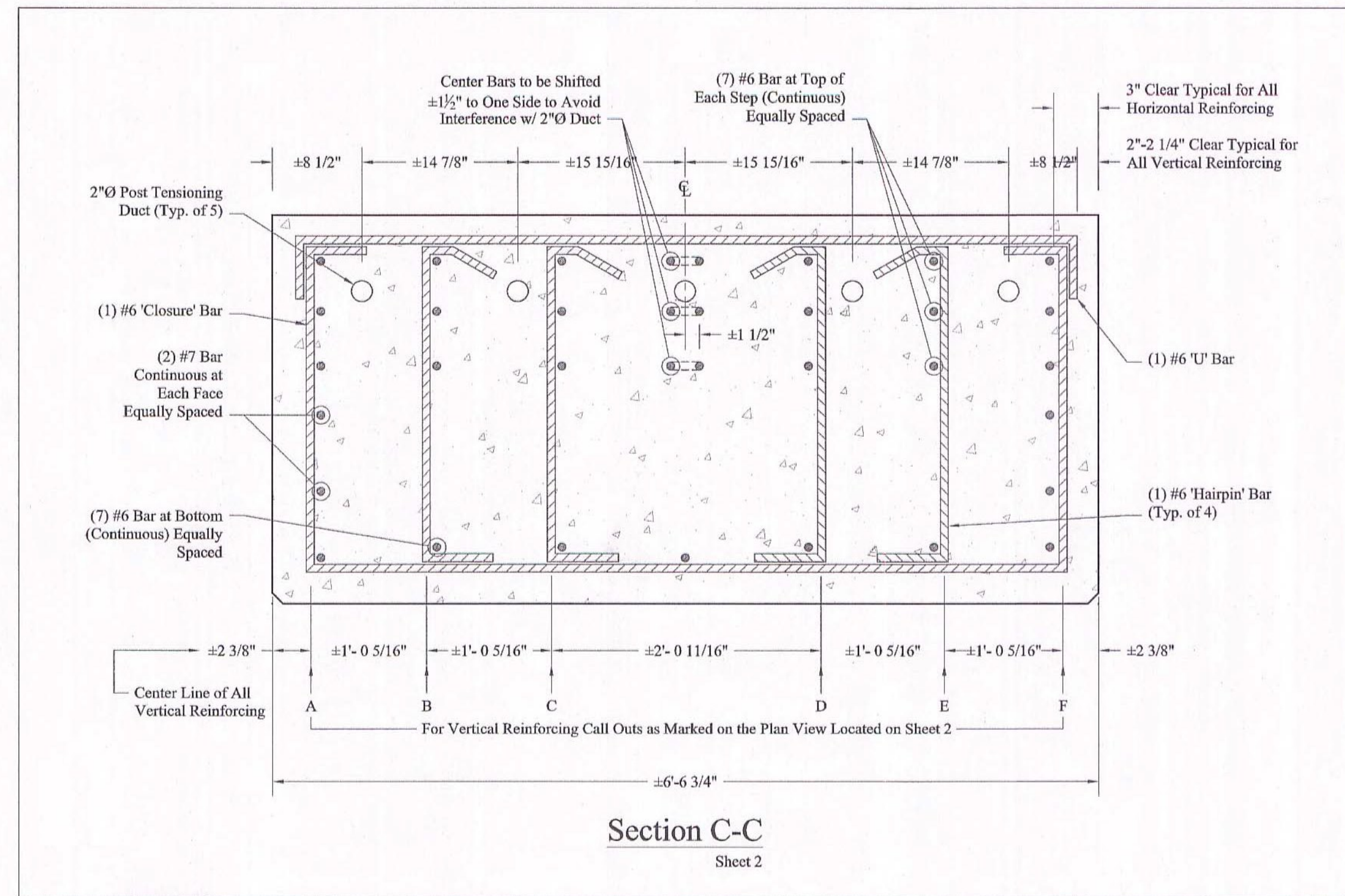


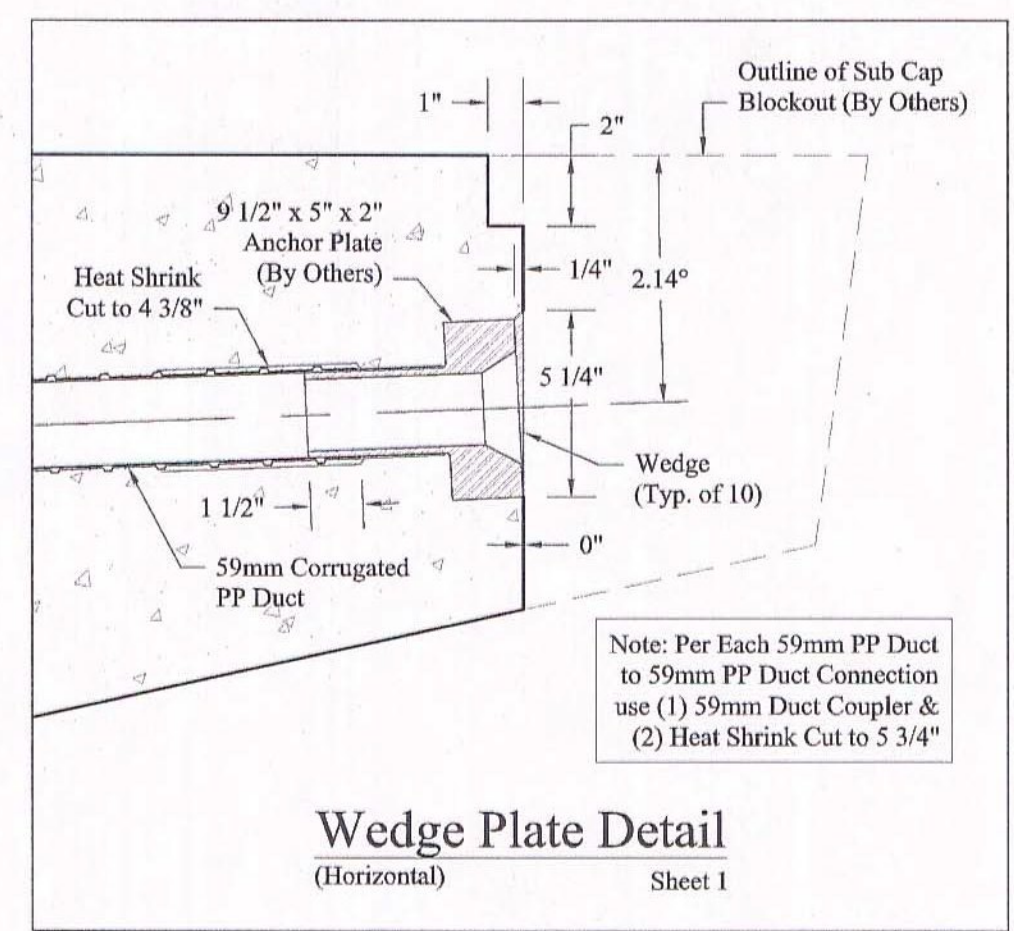
Note: All PP Ducts, Grout Tubes, Grout Saddles, Grout Couplers, Heat Shrink & Anchor Plates to be Provided to S.D. Ireland by the Contractor



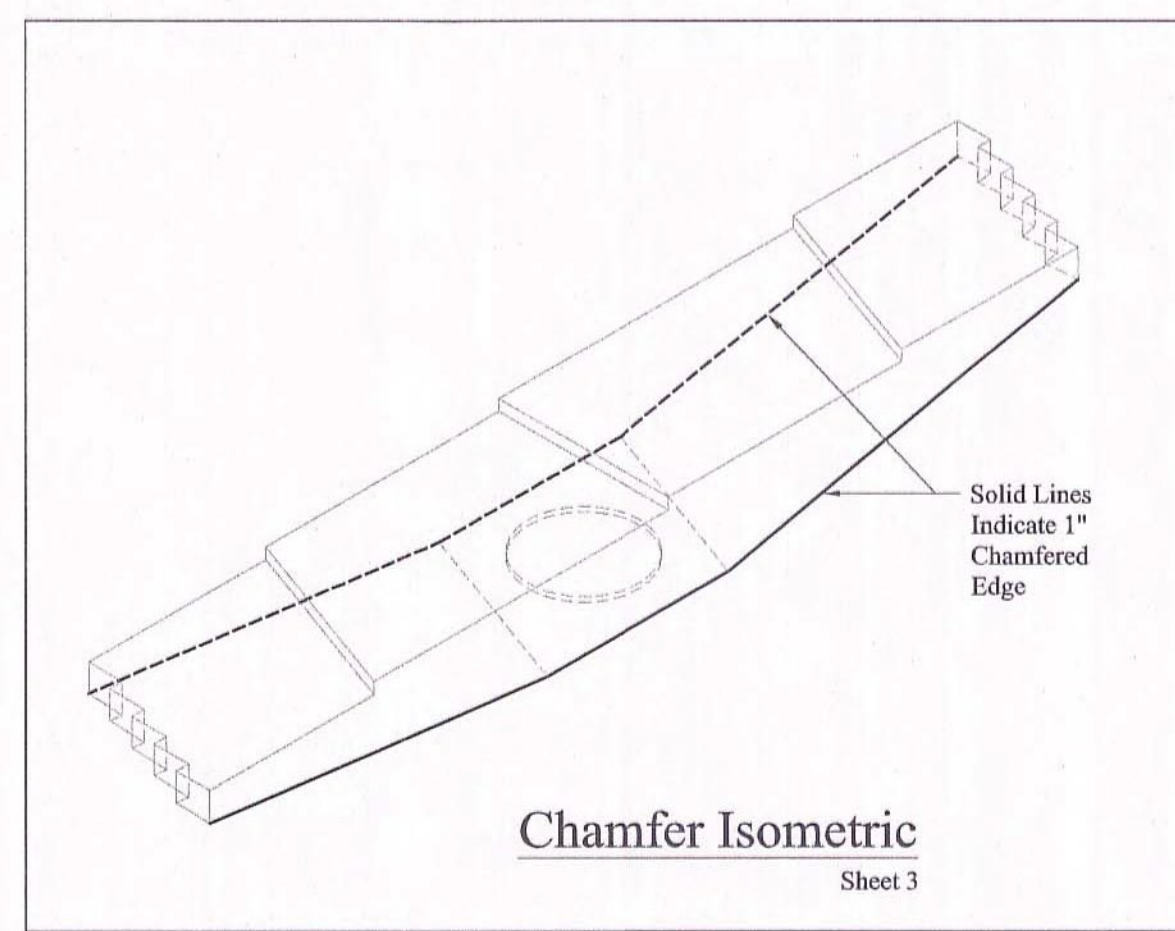
Grout Vent Detail
(Vertical) Sheet 1



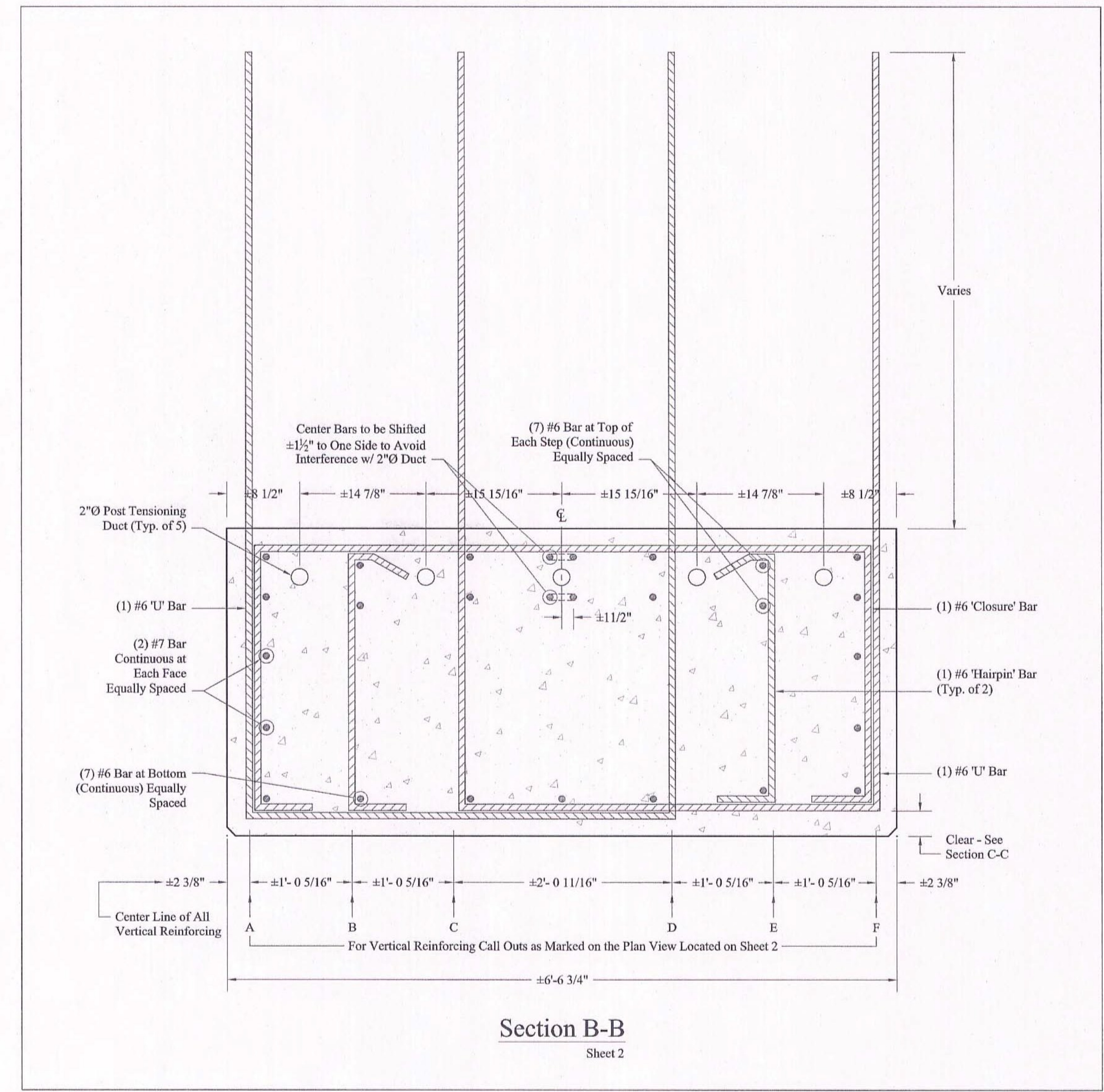
Section C-C
Sheet 2



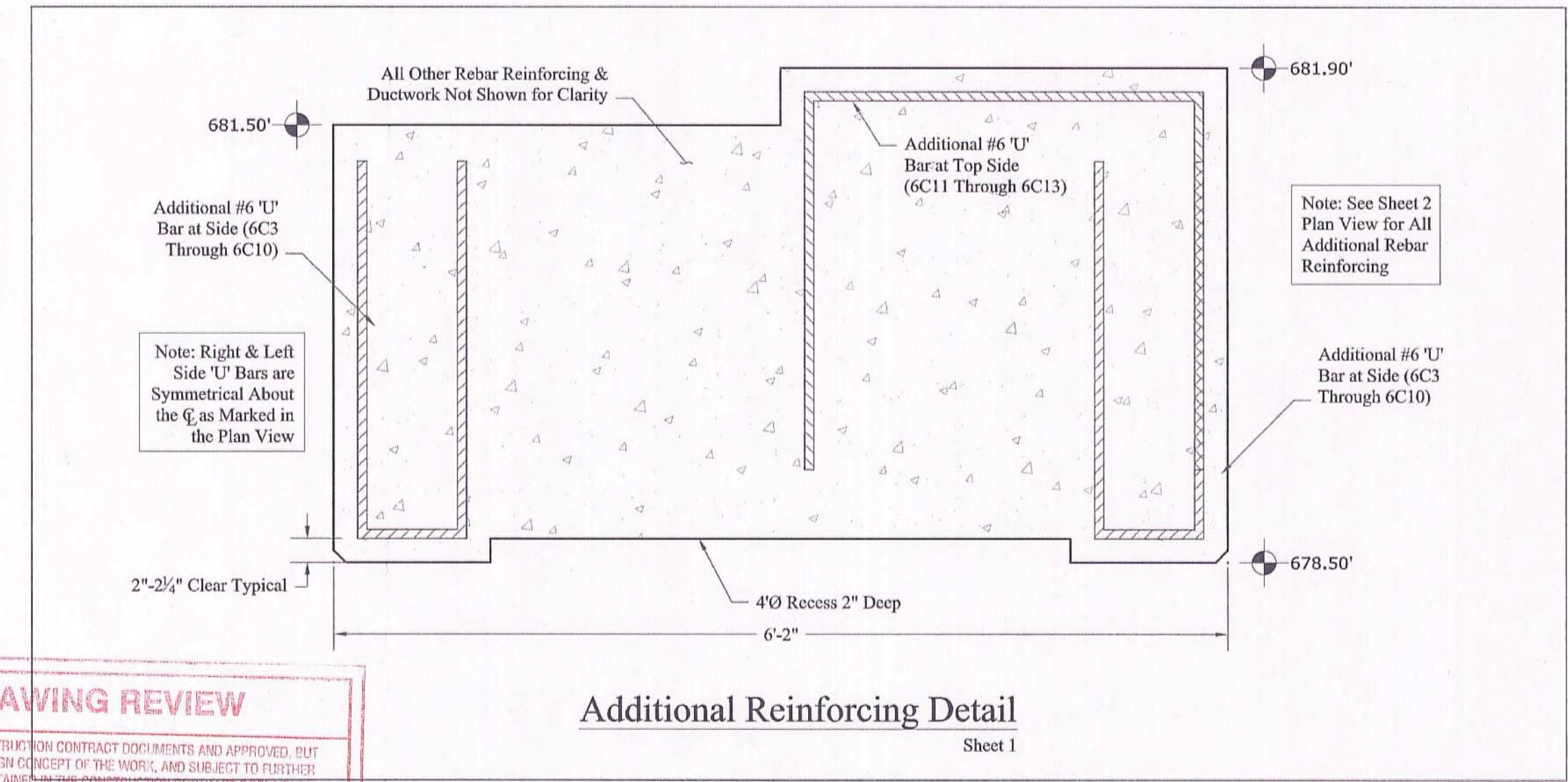
Wedge Plate Detail
(Horizontal) Sheet 1



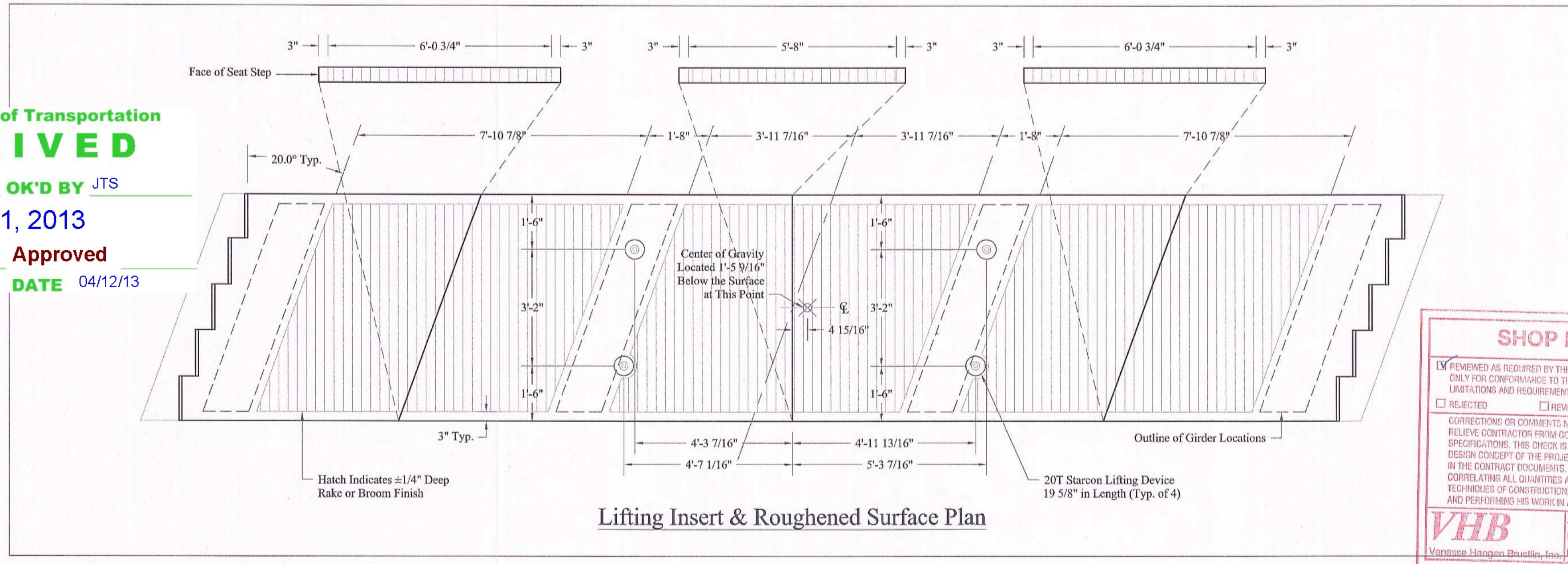
Chamfer Isometric
Sheet 3



Section B-B
Sheet 2



Additional Reinforcing Detail
Sheet 1



Lifting Insert & Roughened Surface Plan

SHOP DRAWING REVIEW

REVIEWED AS REQUIRED BY THE CONSTRUCTION CONTRACT DOCUMENTS AND APPROVED, BUT ONLY FOR CONFORMANCE TO THE DESIGN CONCEPT OF THE WORK, AND SUBJECT TO FINISH LIMITATIONS AND REQUIREMENTS CONTAINED IN THE CONSTRUCTION CONTRACT DOCUMENTS.

REJECTED REVISE AND RESUBMIT FURNISH AS CORRECTED

CORRECTIONS OR COMMENTS MADE ON THE SHOP DRAWINGS DURING THIS REVIEW DO NOT RELIEVE CONTRACTOR FROM COMPLIANCE WITH REQUIREMENTS OF THE DRAWINGS AND SPECIFICATIONS. THIS CHECK IS ONLY FOR REVIEW OF GENERAL CONFORMANCE WITH THE DESIGN CONCEPT OF THE PROJECT AND GENERAL COMPLIANCE WITH THE INFORMATION GIVEN IN THE CONTRACT DOCUMENTS. THE CONTRACTOR IS RESPONSIBLE FOR CONFIRMING AND CORRELATING ALL QUANTITIES AND DIMENSIONS, SELECTING FABRICATION PROCESSES AND TECHNIQUES OF CONSTRUCTION, FURNISHING HIS WORK WITH THAT OF ALL OTHER TRADES, AND PERFORMING HIS WORK IN A SAFE AND SATISFACTORY MANNER.

VHB
Vermont Housing Bureau, Inc.

Job Number: 52550.00
Reviewed By: G. S. Campbell, P.E.
Date: 4-11-13



PROJECT NAME: JAMAICA	
PROJECT NUMBER: ER-BRF 013-1(16)	
PRECAST SUB-CAP PRODUCTION DRAWING SET	
DRAWING: REBAR SCHEDULE & FORM LINER/LIFTING DEVICE PLAN	
DRAWN BY: CD	DATE: 04/11/13
APPROVED BY: TD	SHEET: 3 OF 4

Vermont Agency of Transportation
RECEIVED
CK'D BY VHB OK'D BY JTS
April 11, 2013
RESUBMIT NO Approved
BY KMH DATE 04/12/13