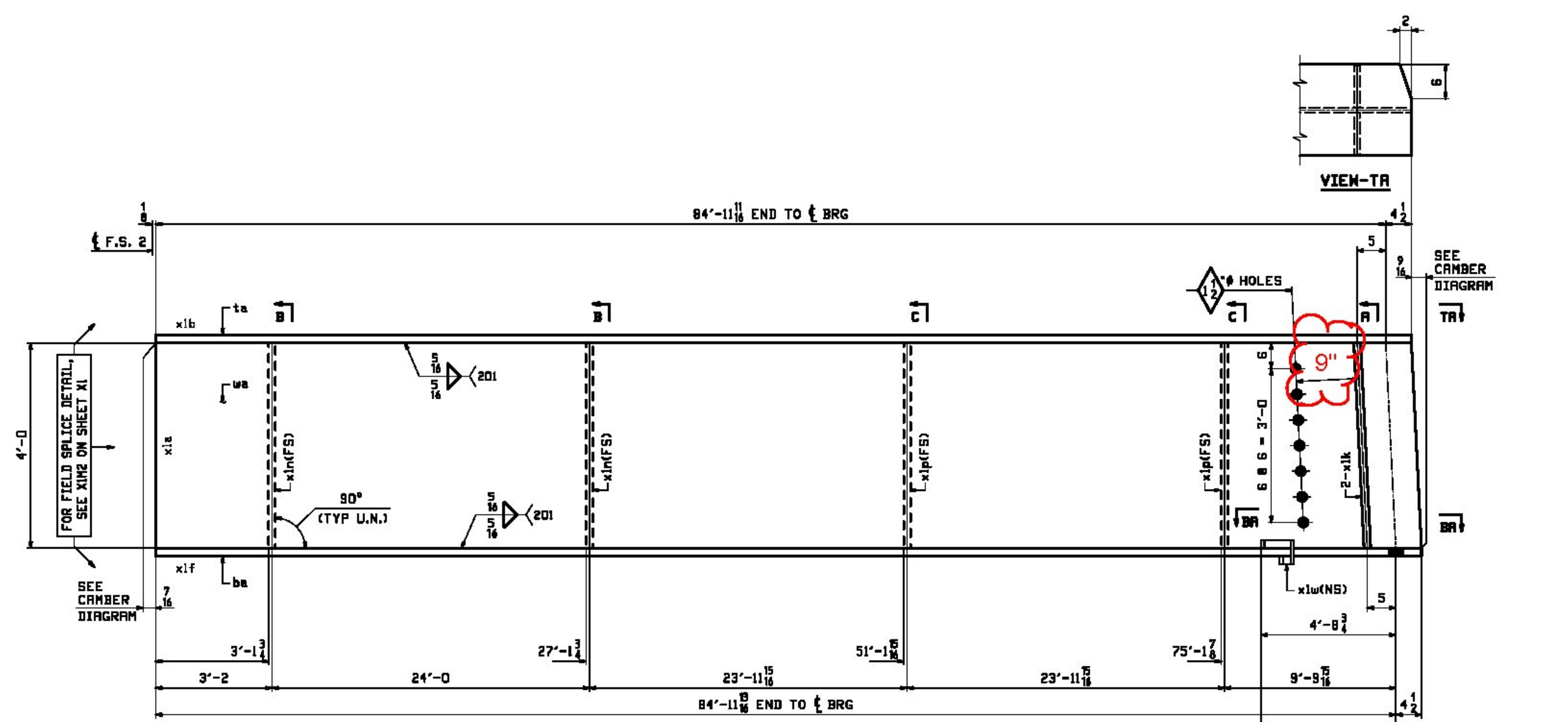
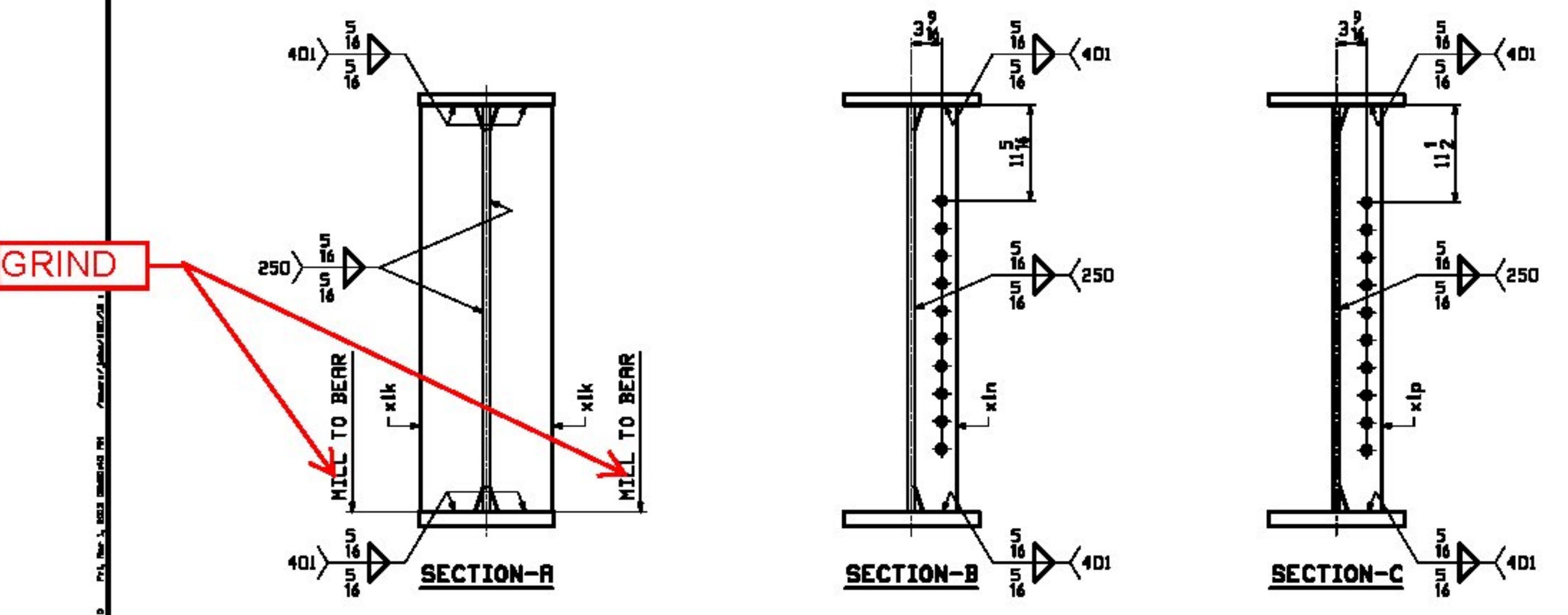
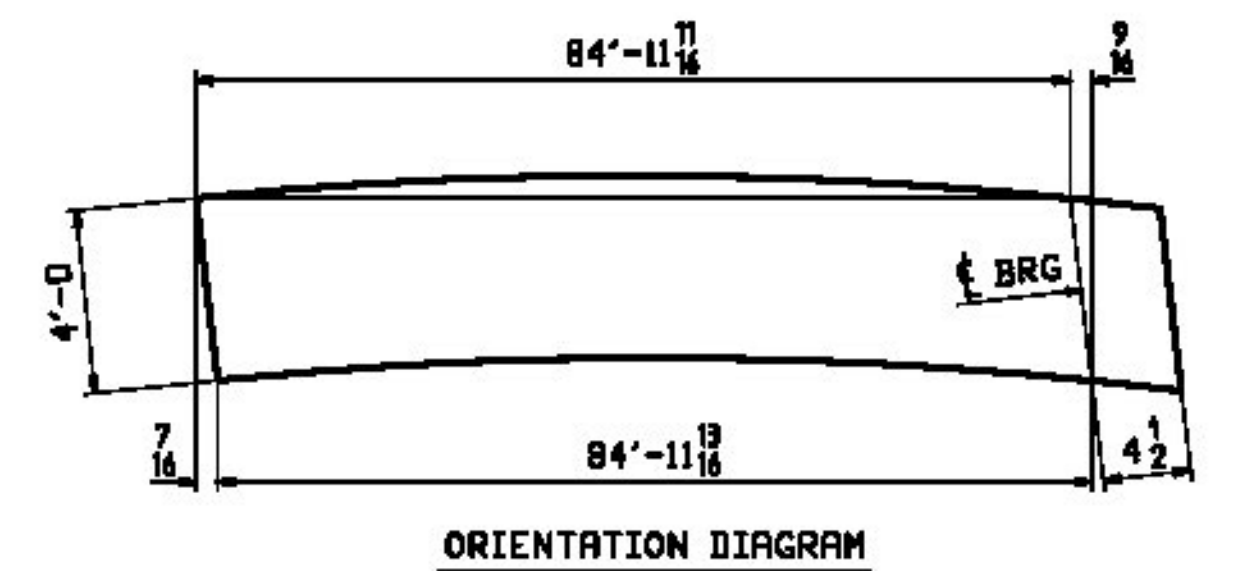
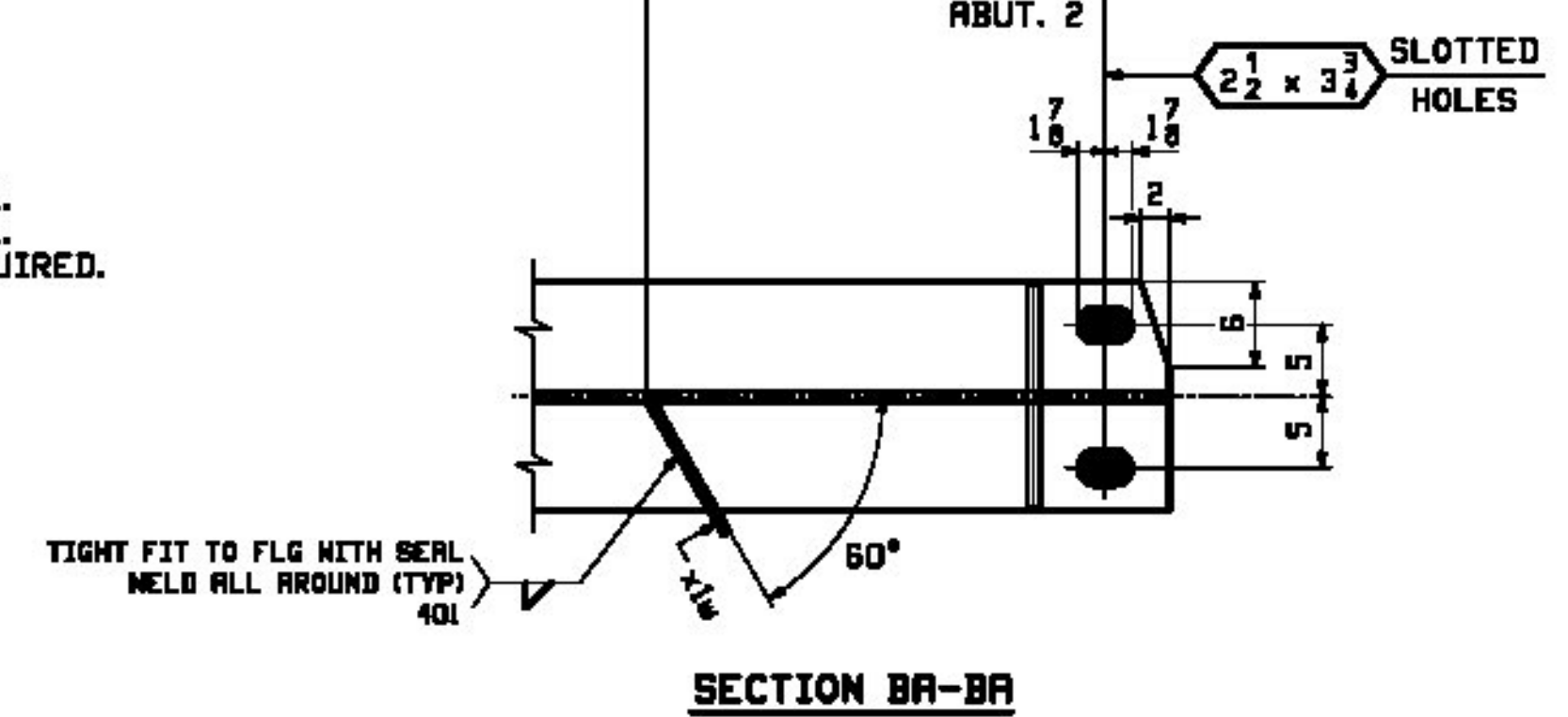


JOB NO.		DRAWING NO.		REV.						
529-1		12								
PNL	LINE	MARK	QTY	MARK	MATERIAL	LENGTH FT	THICKNESS	REMARKS	WT	PROCUREMENT NOTES
		12G4C	1		GIRDER				22675	
1	J	1	ml		PL $\frac{3}{8}$ x 16	85	$4\frac{1}{2}$	M270-50MT2	8719	
1	G	1	la		PL $\frac{1}{4}$ x 16	85	$4\frac{3}{16}$	M270-50MT2	5808	
1	E	1	lw		PL $\frac{1}{4}$ x 16	85	$4\frac{5}{16}$	M270-50MT2	8133	
2	L	2	xlk		PL $\frac{7}{8}$ x $7\frac{1}{2}$	4	0		85	
2	M	2	xln		PL $\frac{1}{2}$ x 5	4	0		34	
2	M	2	xlp		PL $\frac{1}{2}$ x 5	4	0		34	
2	N	1	xlw		PL $\frac{1}{4}$ x $3\frac{1}{2}$	0	$10\frac{7}{8}$		3	



ONE ~ GIRDER ~ 12G4C

NOTES:
 1. FOR GENERAL NOTES SEE SHEET GN1.
 2. FOR FIELD SPLICE DETAILS SEE SHEET X1.
 3. FOR GIRDER STANDARD DETAILS SEE SHEET X1.
 4. FOR CAMBER & FLANGE DIAGRAM SEE SHEET C1.
 5. T2 - DENOTES CHARPY V-NOTCH TESTING REQUIRED.



Vermont Agency of Transportation
RECEIVED
 CK'D BY GMLJWC OK'D BY GG
 March 6, 2013
 RESUBMIT NO Approved AsNoted
 BY KMH DATE 04/02/13

REV.	DATE	REMARKS	DWN	CHK	APVL	SHOP
0						
MATERIAL:		SURFACE PREP. & PAINT:		HOLES:		SHOP BOLTS:
M270-50M		SEE GN1		$\frac{15}{16}$ U.N.		NONE
DESCRIPTION: GIRDER ~ 12G4C						
CASCO BAY STEEL STRUCTURES, INC. 1 WALLACE AVE. PHONE (207) 780-6722 SOUTH PORTLAND, ME 04106 FAX. (207) 780-6726						
STRUCTURE: VT 100 OVER WARDSBORO BROOK			DRAWN:	DATE:		
BRIDGE NO 78			EEO	02/04		
WINDHAM COUNTY			CHKD:	DATE:		
			DBH	02/27		
LOCATION: TOWN OF JAMRICH, VT			JOB NO.	DWG NO.		
PROJ NO. ER-BRF D13-1(16)			529-1	12		
CUSTOMER: T. BUCK CONSTRUCTION			REV. Δ			