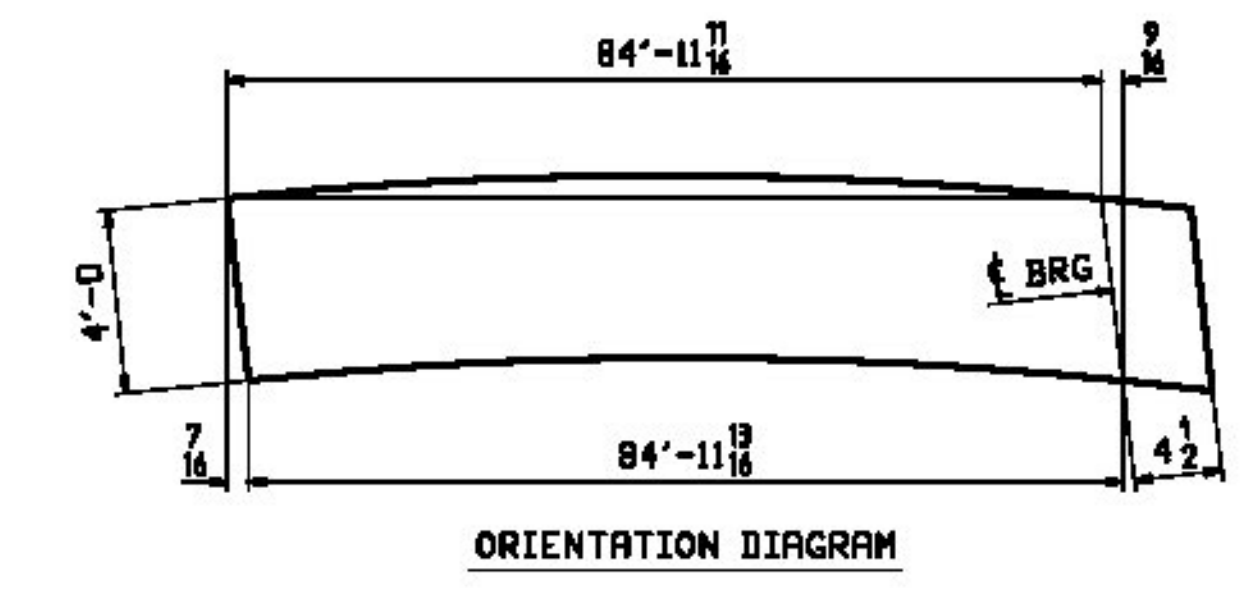
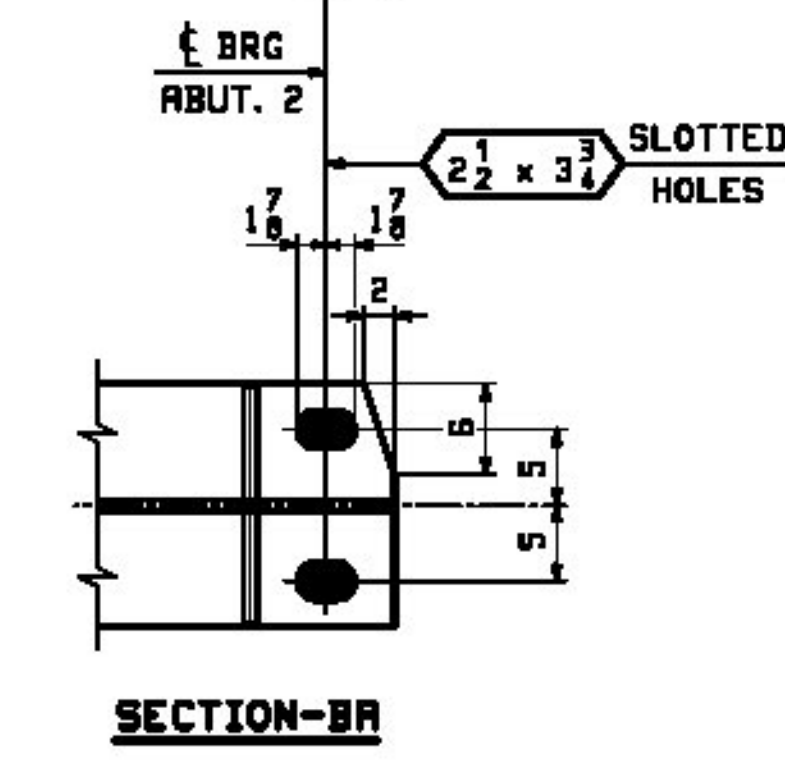
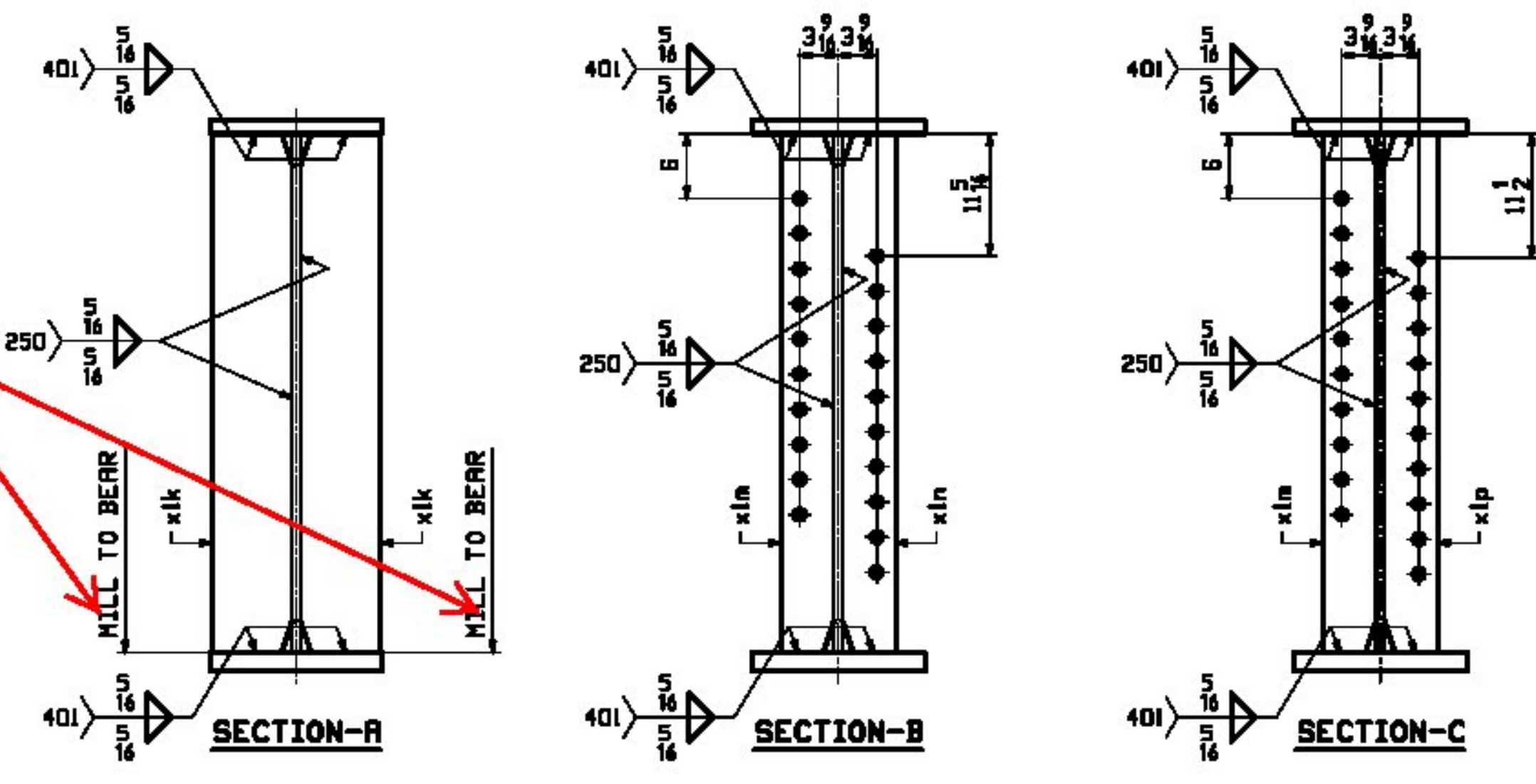


ONE ~ GIRDER ~ 11G3C

- NOTES:
 1. FOR GENERAL NOTES SEE SHEET GNI.
 2. FOR FIELD SPLICE DETAILS SEE SHEET XI.
 3. FOR GIRDER STANDARD DETAILS SEE SHEET XI.
 4. FOR CAMBER & FLANGE DIAGRAM SEE SHEET CI.
 5. T2 - DENOTES CHAMPY V-NOTCH TESTING REQUIRED.



BILL OF MATERIAL					JOB NO.	DRAWING NO.	REV.
QTY	MARK	MATERIAL	LENGTH	REMARKS	WT	PROCUREMENT	NOTES
1	J	1 ml	PL 3/8 x 16	85	4 3/4	M270-50HT	8719
1	G	1 la	PL 1/4 x 16	85	4 3/4	M270-50HT	5808
1	E	1 lw	PL 1/4 x 16	85	4 5/8	M270-50HT	8133
2	L	2 xlk	PL 7/8 x 7 1/2	4	0		85
2	M	4 xln	PL 1/2 x 5	4	0		34
2	M	2 xln	PL 1/2 x 5	4	0		34
2	M	2 xlp	PL 1/2 x 5	4	0		34



Vermont Agency of Transportation
RECEIVED
 CK'D BY GMLJWC OK'D BY GG
 March 6, 2013
 RESUBMIT NO Approved AsNoted
 BY KMH DATE 04/02/13

REV.	DATE	REMARKS	DWN	CHK	APVL	SHOP
0						
MATERIAL:		SURFACE PREP. & PAINT:		HOLES:		SHOP BOLTS:
M270-50M		SEE GNI		15/16" U.N.		NONE
DESCRIPTION: GIRDER ~ 11G3C						
CASCO BAY STEEL STRUCTURES, INC.						
1 WALLACE AVE.			PHONE (207) 780-6722			
SOUTH PORTLAND, ME 04106			FAX. (207) 780-6726			
STRUCTURE: VT 100 OVER WARDSBORO BROOK			DRAWN: EEO		DATE: 02/04	
BRIDGE NO 78			CHKD: DBH		DATE: 02/27	
WINDHAM COUNTY						
LOCATION: TOWN OF JAMRICH, VT			JOB NO. 529-1		DWG NO. 11	
PROJ NO. ER-BRF 013-1(16)					REV. 11	
CUSTOMER: T. BUCK CONSTRUCTION						