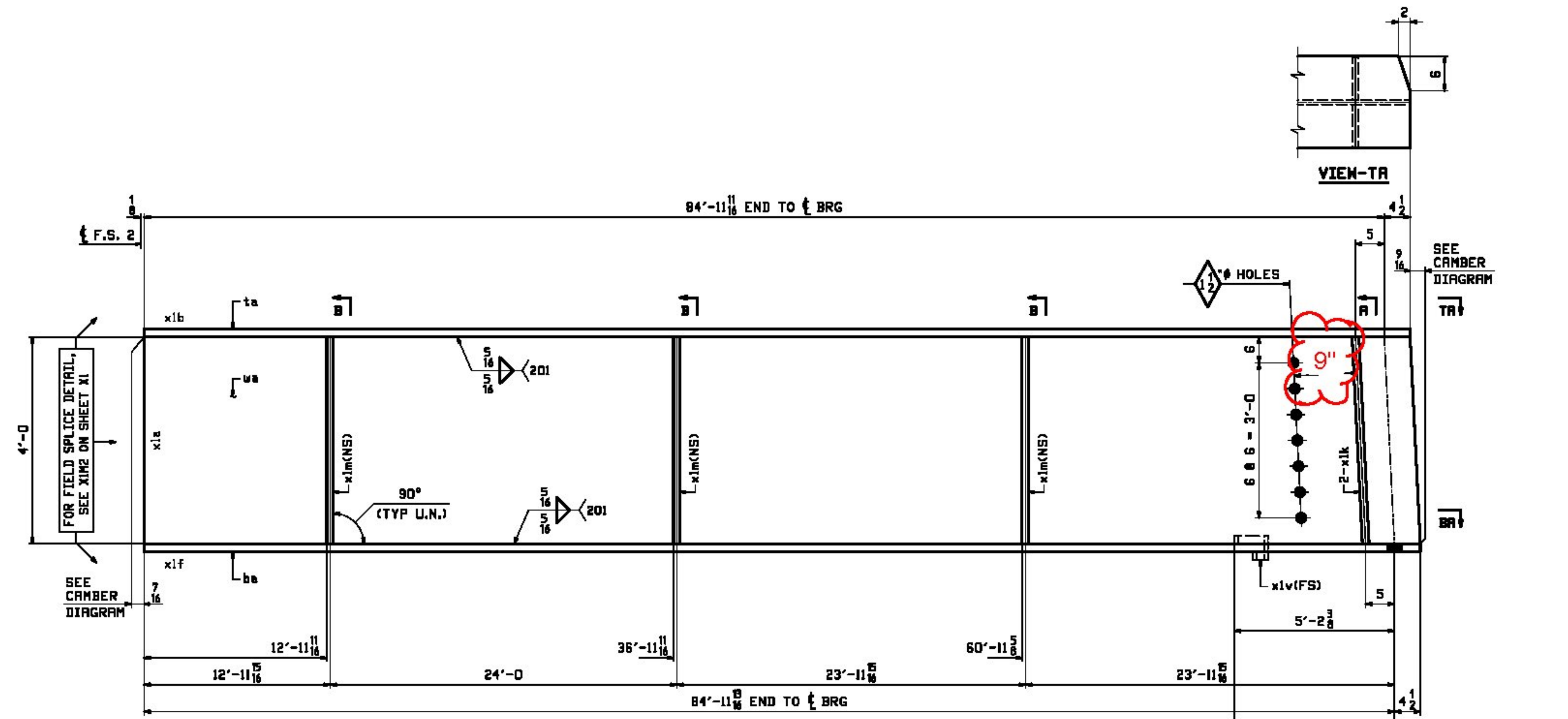
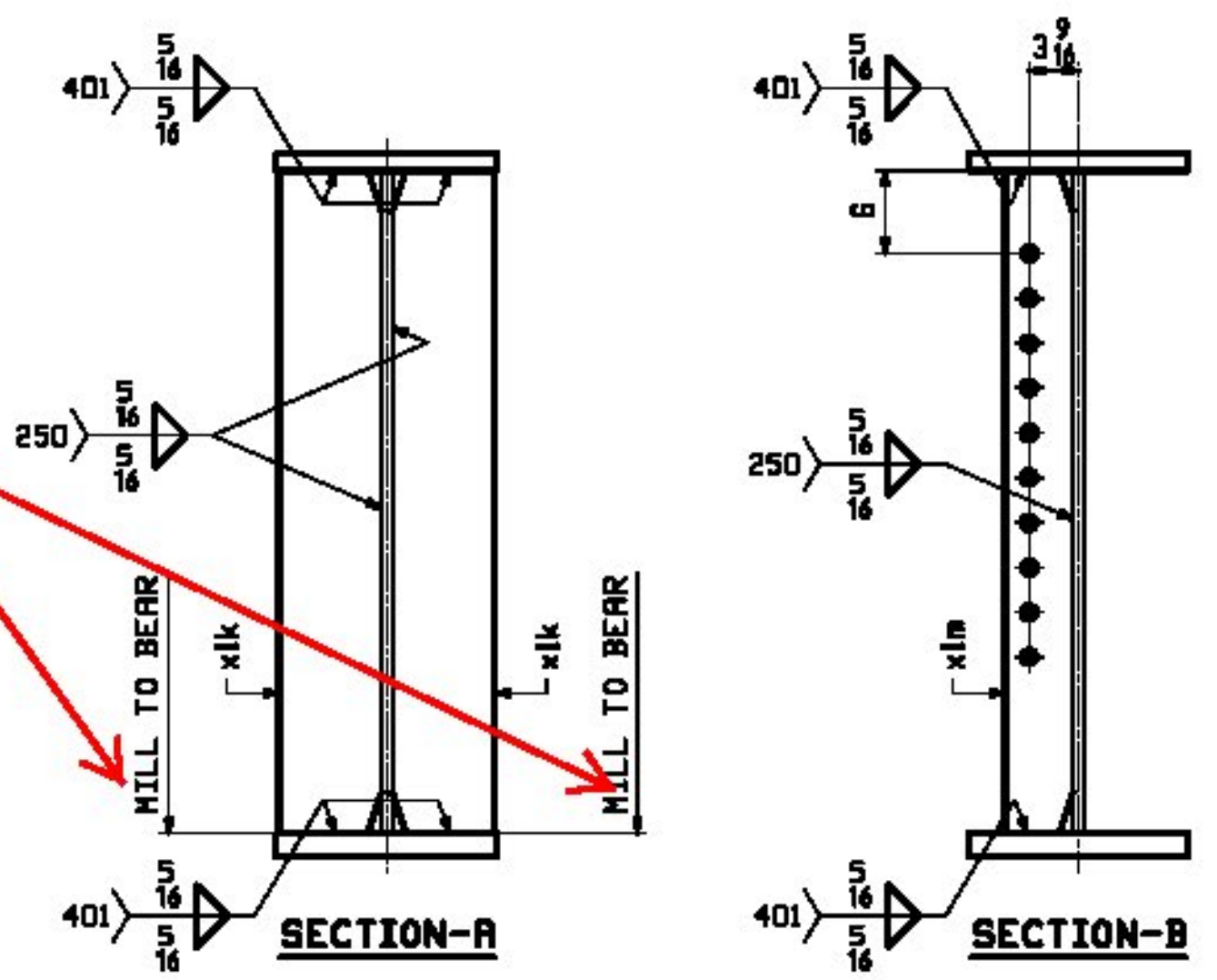
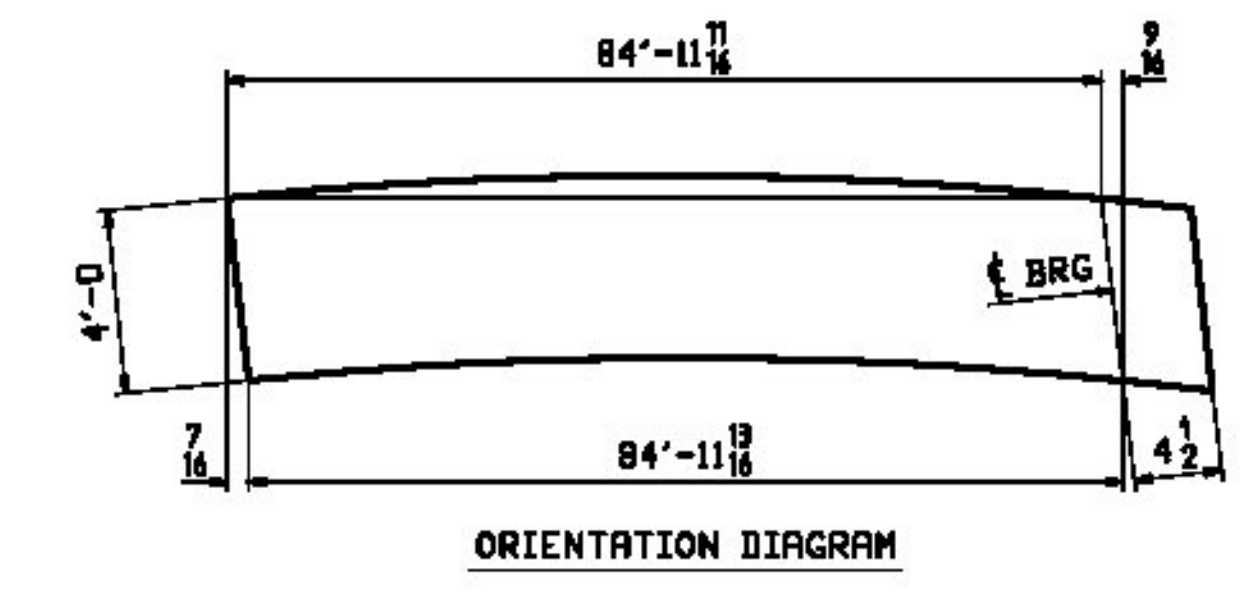
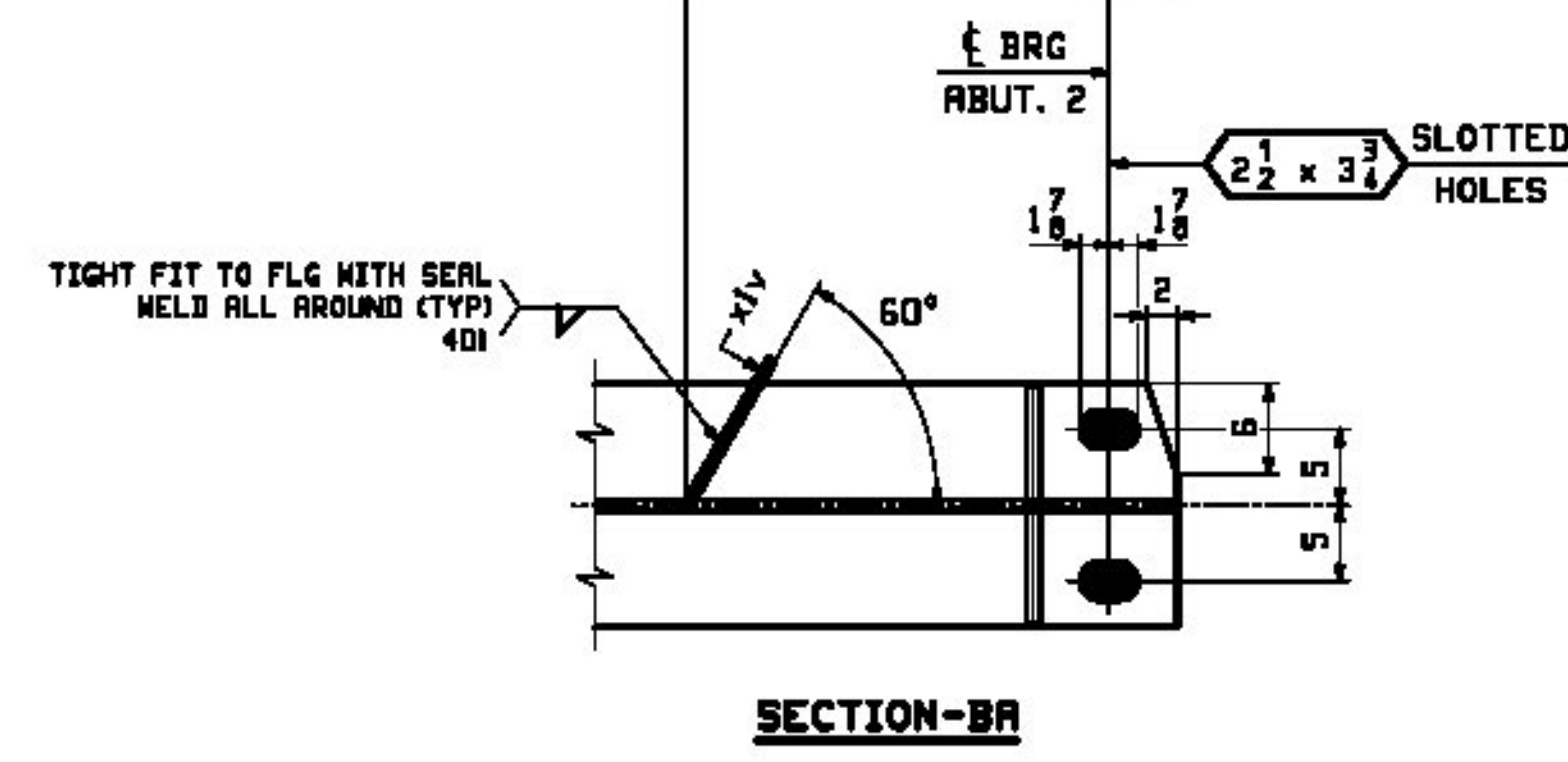


JOB NO.		DRAWING NO.		REV.			
529-1		9					
ROW INFO	SHOP	BILL OF MATERIAL			REMARKS	WT	PROCUREMENT NOTES
LINE	MARK	QTY	MARK	MATERIAL	LENGTH FT	INCHES	
	SGIC	1		GIRDER			22942
1	J	1	ml	PL 3/8x16	85	4 3/4	M270-50WT2
1	G	1	la	PL 1/4x16	85	4 3/4	M270-50WT2
1	E	1	lw	PL 1/4x16	85	4 5/8	M270-50WT2
2	L	2	xlk	PL 7/8x7 1/2	4	0	89
2	M	3	xlm	PL 1/2x5	4	0	34
2	N	1	xlv	PL 1/4x3 1/2	0	10 1/2	3



ONE ~ GIRDER ~ 9GIC

- NOTES:
 1. FOR GENERAL NOTES SEE SHEET GNI.
 2. FOR FIELD SPLICE DETAILS SEE SHEET X1.
 3. FOR GIRDER STANDARD DETAILS SEE SHEET X1.
 4. FOR CAMBER & FLANGE DIAGRAM SEE SHEET C1.
 5. T2 - DENOTES CHARPY V-NOTCH TESTING REQUIRED.



GRIND

Vermont Agency of Transportation
RECEIVED
 CK'D BY GML/JWC OK'D BY GG
 March 6, 2013
 RESUBMIT NO Approved AsNoted
 BY KMH DATE 04/02/13

REV.	DATE	REMARKS	DWN	CHK	APVL	SHOP
0						
MATERIAL:		SURFACE PREP. & PAINT:		HOLES:		SHOP BOLTS:
M270-50W		SEE GNI		15/16" U.N.		NONE
DESCRIPTION: GIRDER ~ 9GIC						
CASCO BAY STEEL STRUCTURES, INC. 1 WALLACE AVE. PHONE (207) 780-6722 SOUTH PORTLAND, ME 04106 FAX. (207) 780-6726						
STRUCTURE: VT 100 OVER WARDSBORO BROOK			DRWN:	DATE:		
BRIDGE NO 78			EEO	02/04		
WINDHAM COUNTY			CHKD:	DATE:		
			DBH	02/27		
LOCATION: TOWN OF JAMRICH, VT			JOB NO.	DWG NO.		
PROJ NO. ER-BRF 013-1(16)			529-1	9		
CUSTOMER: T. BUCK CONSTRUCTION				REV. 1		