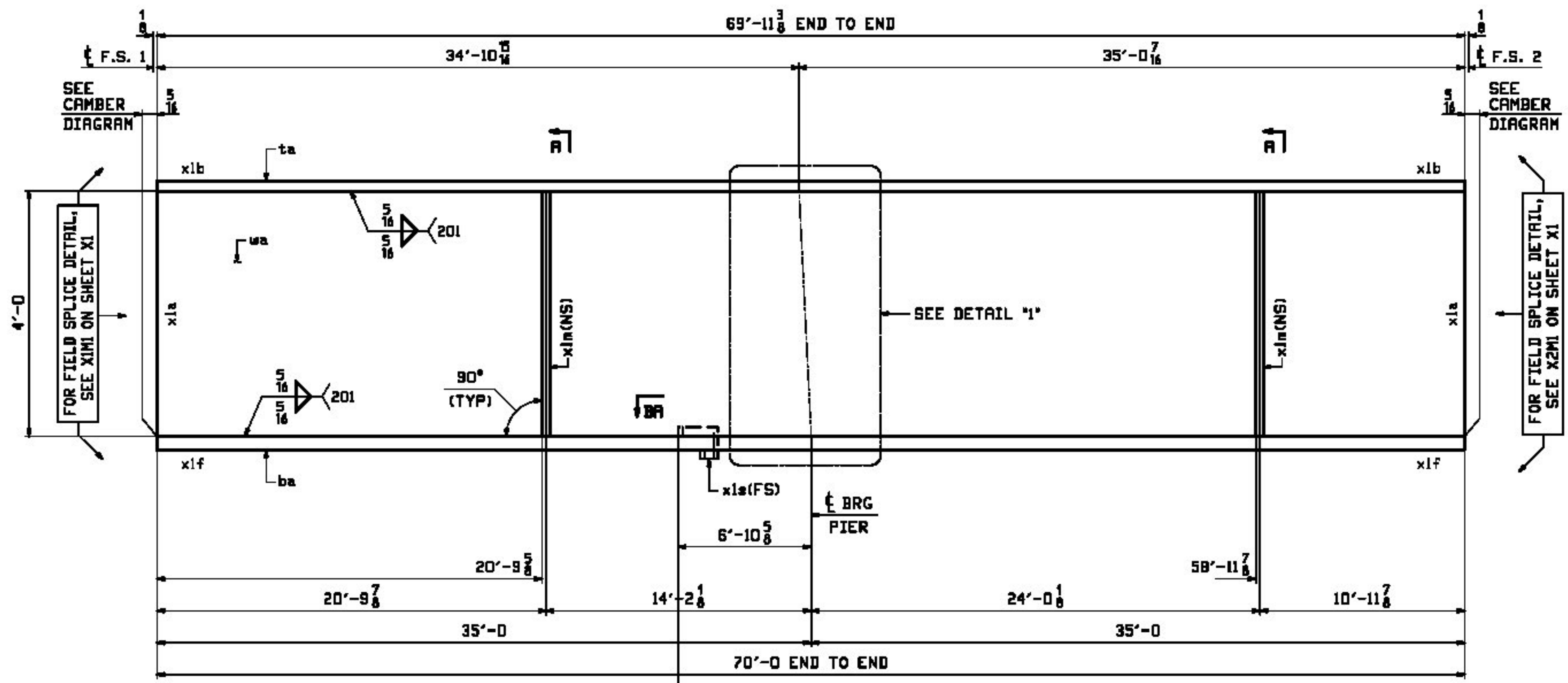
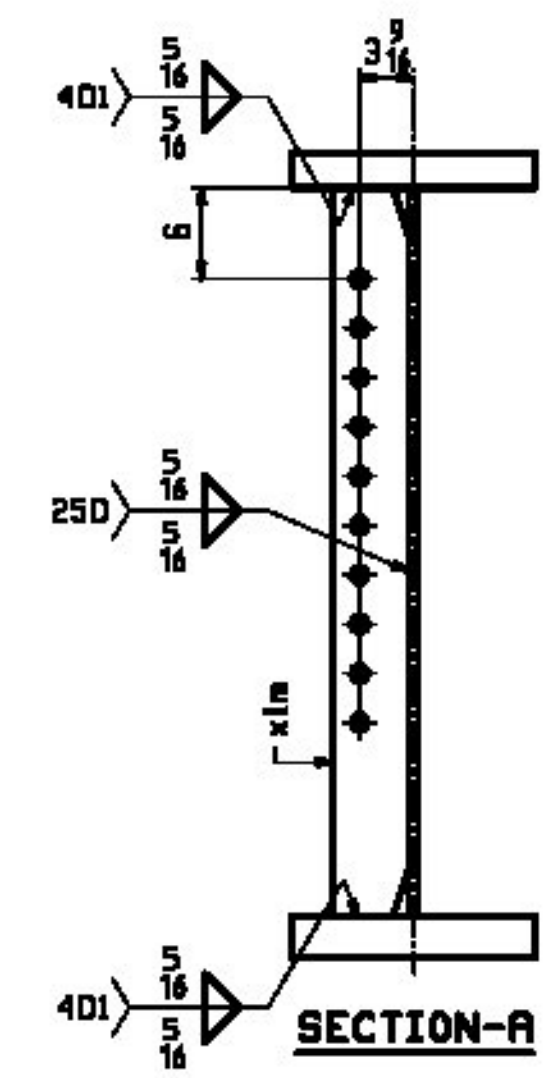
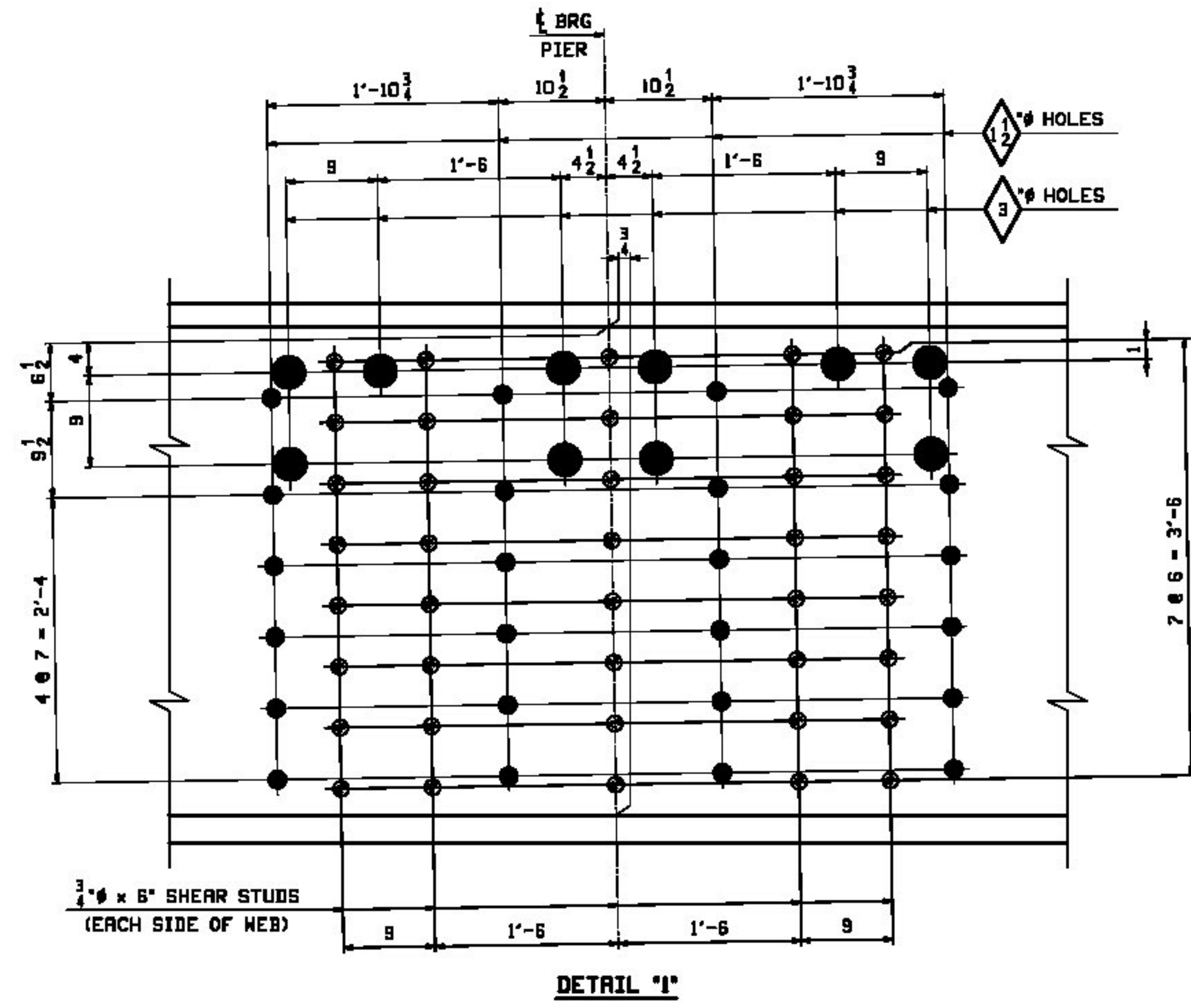
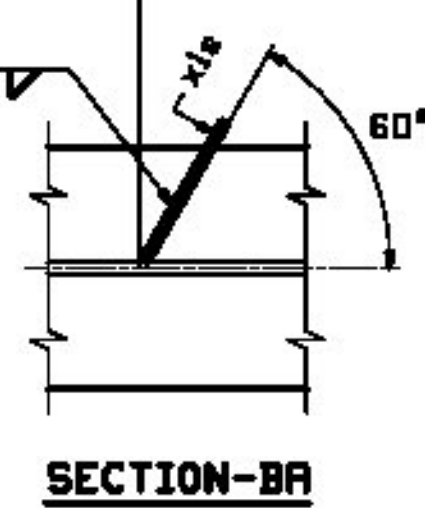


BILL OF MATERIAL						JOB NO.	DRAWING NO.	REV.
						529-1	5	
LINE	MARK	QTY	MATERIAL	LENGTH	REMARKS	WT	PROCUREMENT	NOTES
				FT				
	5G1B	1	GIRDER			26335		
1	L	1	PL 3/8x16	70	M270-50HT	7145		
1	C	1	PL 2 1/2x16	65	M270-50HT	8569		
1	A	1	PL 2 1/2x16	70	M270-50HT	8491		
2	H	2	PL 2x5	4		34		
2	N	1	PL 1/2x4 1/2	0	10 7/8	4		
2	R	80	STUD 3/4	0	6	.66		

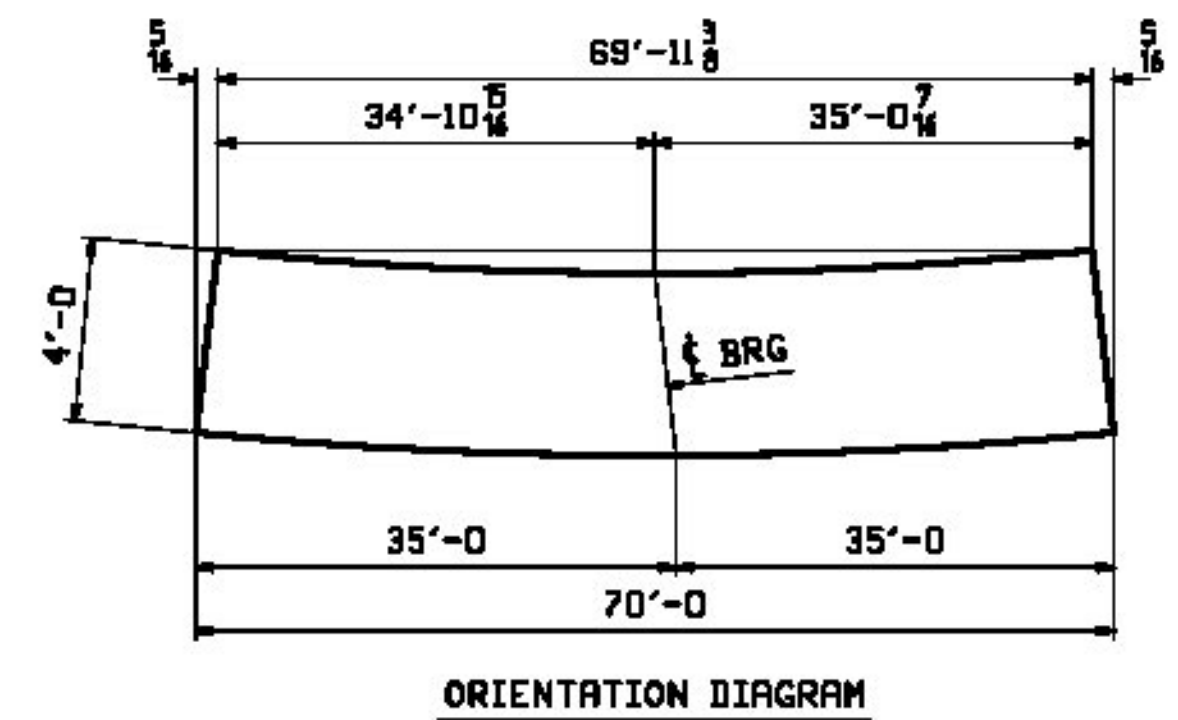


ONE ~ GIRDER ~ 5G1B

- NOTES:
 1. FOR GENERAL NOTES SEE SHEET GNI.
 2. FOR FIELD SPLICE DETAILS SEE SHEET XI.
 3. FOR GIRDER STANDARD DETAILS SEE SHEET XI.
 4. FOR CAMBER & FLANGE DIAGRAM SEE SHEET CI.
 5. T2 - DENOTES CHARPY V-NOTCH TESTING REQUIRED.



Vermont Agency of Transportation
RECEIVED
 CK'D BY GML/JWC OK'D BY GG
 March 6, 2013
 RESUBMIT Approved
 BY KMH DATE 03/18/13



REV.	DATE	REMARKS	DWN	CHK	APVL	SHOP
0						
MATERIAL:		SURFACE PREP. & PAINT:		HOLES:		SHOP BOLTS:
M270-50M		SEE GNI		15/16" U.N.		NONE
DESCRIPTION: GIRDER ~ 5G1B						
CASCO BAY STEEL STRUCTURES, INC. 1 WALLACE AVE. PHONE (207) 780-6722 SOUTH PORTLAND, ME 04106 FAX. (207) 780-6726						
STRUCTURE: VT 100 OVER WARDSBORO BROOK			DRAWN: EEO		DATE: 02/01	
BRIDGE NO 78			CHKD: DBH		DATE: 02/27	
WINDHAM COUNTY						
LOCATION: TOWN OF JARRICH, VT			JOB NO. 529-1		DWG NO. 5	
PROJ NO. ER-BRF 013-1(16)						
CUSTOMER: T. BUCK CONSTRUCTION					REV. 1	