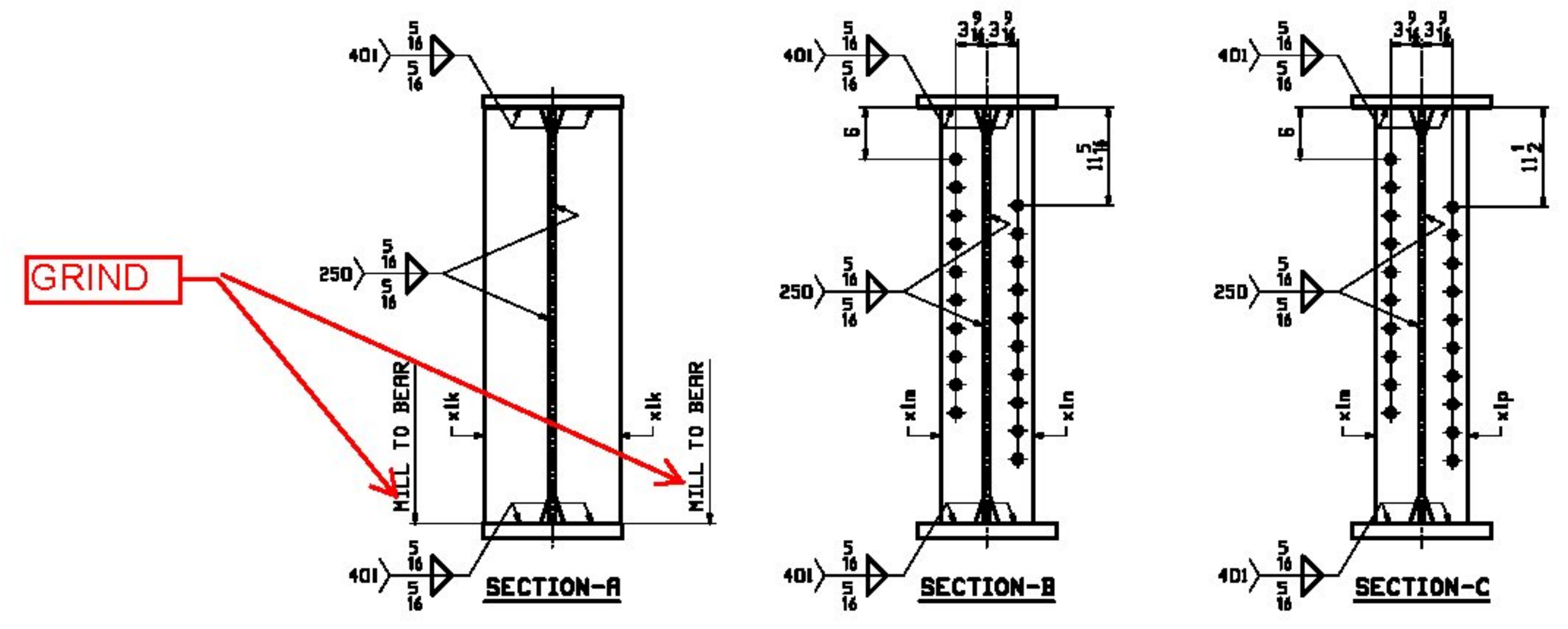
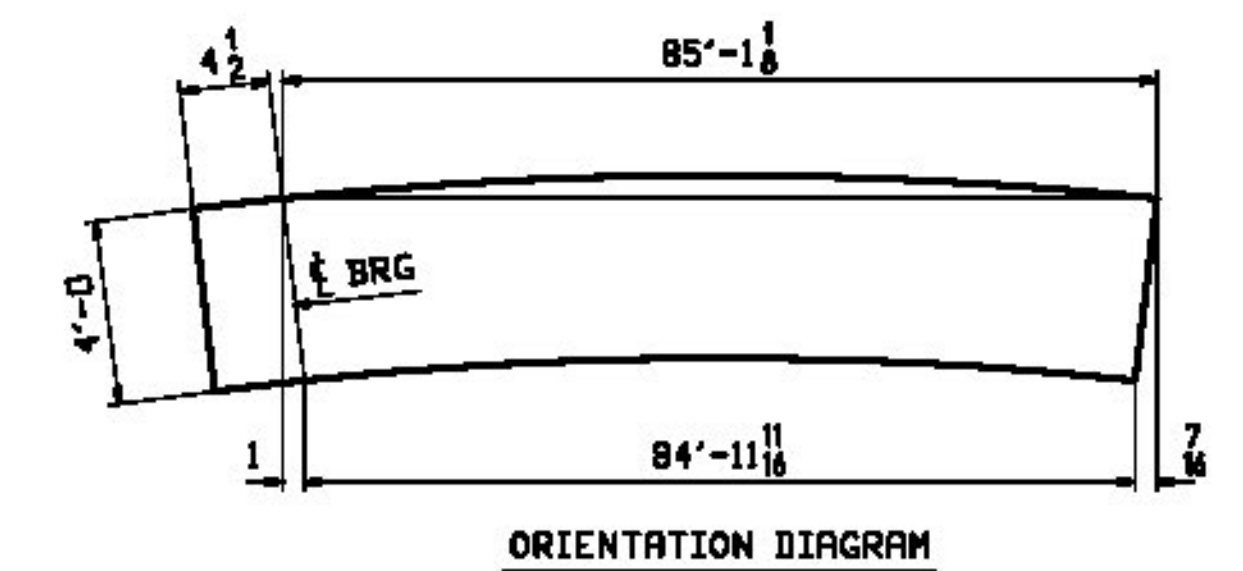


**ONE ~ GIRDER ~ 2G2A**

NOTES:  
 1. FOR GENERAL NOTES SEE SHEET GNI.  
 2. FOR FIELD SPLICE DETAILS SEE SHEET X1.  
 3. FOR GIRDER STANDARD DETAILS SEE SHEET X1.  
 4. FOR CAMBER & FLANGE DIAGRAM SEE SHEET C1.  
 5. T2 - DENOTES CHARPY V-NOTCH TESTING REQUIRED.



BILL OF MATERIAL						JOB NO.	DRAWING NO.	REV.
						529-1	2	
PRG	LINE	MARK	QTY	MATERIAL	LENGTH	REMARKS	WT	PROCUREMENT
					FT			NOTES
	2G2A	1		GIRDER			23124	
1	J	1	ml	PL 3/8x18	85 5/8	M270-S0M12	8725	
1	G	1	la	PL 1/4x18	85 5/8	M270-S0M12	5817	
1	E	1	lw	PL 1/4x18	85 4 3/8	M270-S0M12	8132	
2	L	2	xlk	PL 3/8x7 1/2	4 0		89	
2	M	4	xln	PL 1/2x5	4 0		34	
2	M	2	xln	PL 1/2x5	4 0		34	
2	M	2	xlp	PL 1/2x5	4 0		34	



REV.	DATE	REMARKS	DWN	CHK	APVL	SHOP
MATERIAL:		SURFACE PREP. & PAINT:		HOLES:		SHOP BOLTS:
M270-S0M		SEE GNI		15/16\"/>		
DESCRIPTION: GIRDER ~ 2G2A						
CASCO BAY STEEL STRUCTURES, INC.						
1 WALLACE AVE.			PHONE (207) 780-6722			
SOUTH PORTLAND, ME 04106			FAX. (207) 780-6726			
STRUCTURE: VT 100 OVER WARDSBORO BROOK			DRAWN:	DATE:		
BRIDGE NO 78			EEO	02/01		
WINDHAM COUNTY			CHKD:	DATE:		
			DBH	02/27		
LOCATION: TOWN OF JAMRICH, VT			JOB NO.	DWG NO.		
PROJ NO. ER-BRF 013-1(16)			529-1	2		
CUSTOMER: T. BUCK CONSTRUCTION			REV.	A		

Vermont Agency of Transportation  
**RECEIVED**  
 CK'D BY GML/JWC OK'D BY GG  
 March 6, 2013  
 RESUBMIT NO Approved AsNoted  
 BY KMH DATE 04/02/13