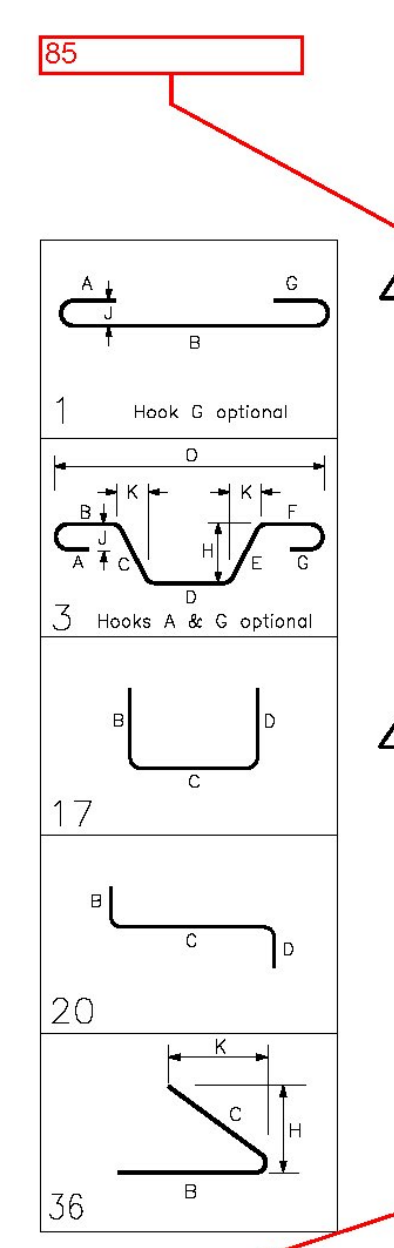
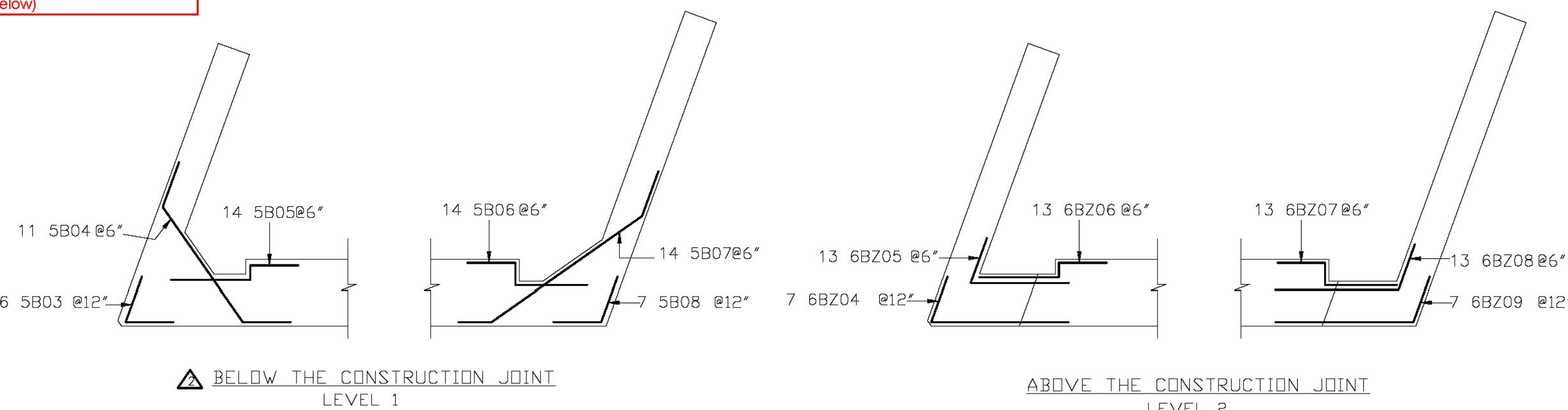


Add 11 (85 Total) straight bars to lap with 85-5A01 for under steel girders. Front Face bars not to penetrate bridge seat (hold at 3" below)



Release Number: 007										BAR LIST									
Bar Mark	Qty	Size	Total Length	Type	'A'	'B'	'C'	'D'	'E'	'F'	'G'	'H'	'I'	'J'	'K'	'L'	'M'	'N'	
5B201	2	#5	13'-2 3/4"	3			9'-4"	3'-10 3/4"							0'-2"			3'-10 3/4"	13'-2 3/4"
Release Number: 009										BAR LIST									
5B202	2	#5	12'-3"	3			9'-10"	2'-5"							0'-1 1/4"			2'-5"	12'-3"
Release Number: 011										BAR LIST									
5B01	74	#5	10'-1"	17			3'-9"	2'-7"	3'-9"										
5B02	226	#5	4'-3"	17			0'-10"	2'-8"	0'-10"										
5B03	6	#5	4'-4"	36			2'-2"	2'-2"							2'-0 1/4"			0'-8 1/4"	
5B04	11	#5	9'-1 1/4"	3			1'-5 1/4"	6'-2"	1'-5 1/4"						1'-2 1/4"			0'-10 1/4"	7'-10 1/4"
5B05	14	#5	6'-4"	20			2'-2"	0'-8"	3'-6"										
5B06	14	#5	6'-8"	20			2'-2"	1'-0"	3'-6"										
5B07	14	#5	10'-11 1/4"	3			1'-5 1/4"	8'-0"	1'-5 1/4"						0'-10 1/4"			1'-2 1/4"	10'-5 1/4"
5B08	7	#5	4'-3 3/4"	3			2'-2"	2'-1 1/4"							2'-0 1/4"			0'-8 1/4"	2'-10 1/4"
Release Number: 012										BAR LIST									
5B203	226	#5	4'-3"	17			0'-10"	2'-8"	0'-10"										
5B204	6	#5	14'-9"	17			6'-1"	2'-0"	6'-1"										
5B205	6	#5	14'-5"	17			5'-11"	2'-0"	5'-11"										
5B206	4	#5	13'-11"	17			5'-8"	1'-8"	5'-8"										
5B207	54	#5	10'-9"	17			4'-1"	2'-8"	4'-1"										
5B208	4	#5	13'-7"	17			5'-6"	1'-8"	5'-6"										
6B201	37	#6	6'-4"	1		0'-8"	5'-0"								0'-8"			0'-6"	
6B202	37	#6	7'-2"	17			2'-2"	5'-0"											
6B203	37	#6	8'-0"	3			1'-6"	5'-0"	1'-6"						1'-0 1/4"			1'-0 1/4"	7'-1 1/4"
6B204	7	#6	8'-5"	36			6'-3"	2'-2"							2'-0 1/4"			0'-8 1/4"	
6B205	13	#6	7'-2"	36			5'-0"	2'-2"							2'-0 1/4"			0'-8 1/4"	
6B206	13	#6	6'-5"	20			2'-2"	0'-8"	3'-7"										
6B207	13	#6	6'-5"	20			2'-2"	1'-0"	3'-3"										
6B208	13	#6	7'-8 3/4"	3			5'-7"	2'-1 1/4"							2'-0 1/4"			0'-8 1/4"	6'-3 3/4"
6B209	7	#6	8'-4 1/4"	3			6'-3"	2'-1 1/4"							2'-0 1/4"			0'-8 1/4"	6'-11 1/4"

NOTE: BAR MARKS MAY CHANGE WHEN DRAWING IS REVISED
LAP = 2'-2" U.N.O.

ELEVATIONS & DIMENSIONS SHOWN ON THIS DWG. ARE FOR REINF. DETAILING PURPOSES ONLY AND ARE NOT INTENDED FOR CONSTRUCTION.
BLACK REINF. BARS - ASTM A615 GRADE 60
DUAL COATED BAR - ASTM A1055 (Z BAR)
DUAL COATED BAR DENOTED (Z)

FOR APPROVAL

6			
5			
4			
3	04/02/13	REVD/ENG. COMM./APPROVAL	
2	03/27/13	REVD/ENG. COMM./APPROVAL	
1	02/22/13	0 APPROVAL	
DATE	REV.#	SENT FOR	
DIMENSION			
DIMENSION FABRICATORS INC.			
VTAOT JAMAICA ER BR# 013-1(16)			
JAMAICA, VT			
T. BUCK CONSTRUCTION			
WAYNE	02/22/13	8421	
ABUTMENT 2 REINF.			B