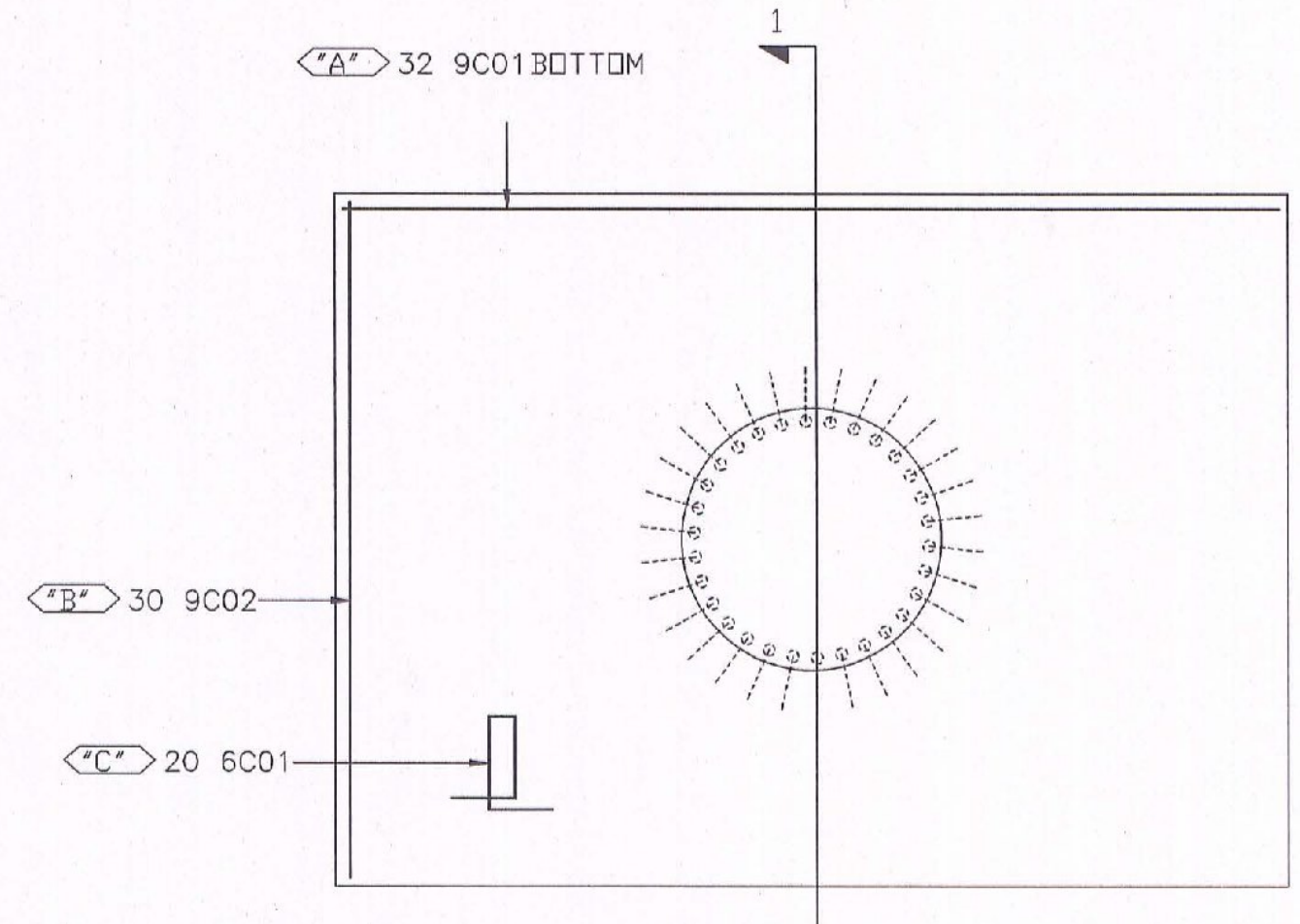
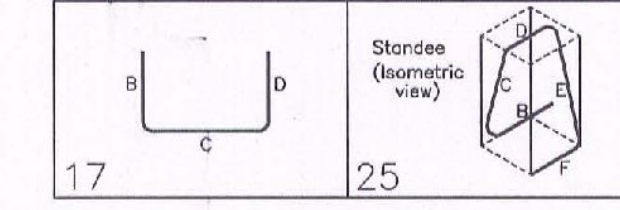
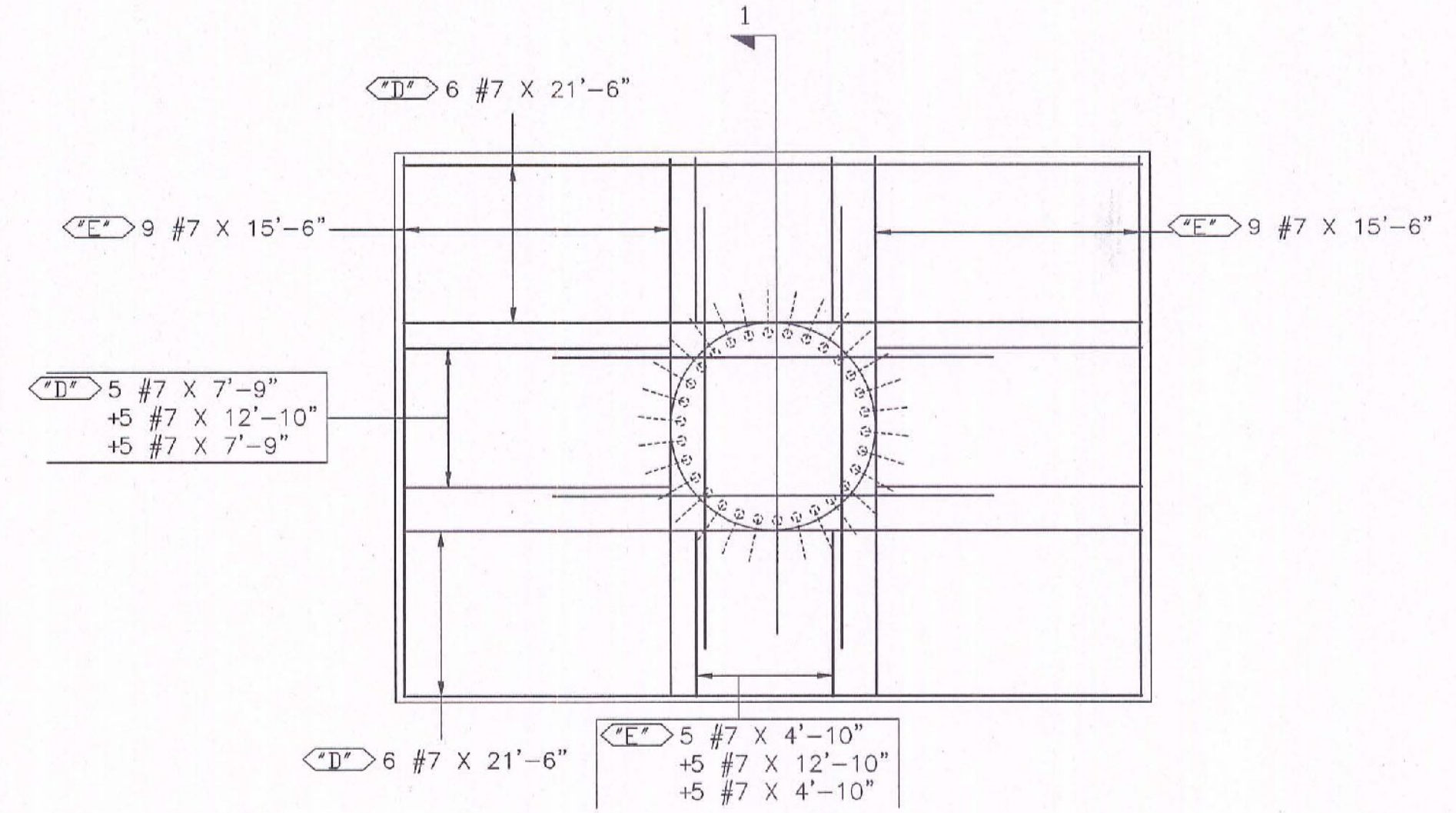


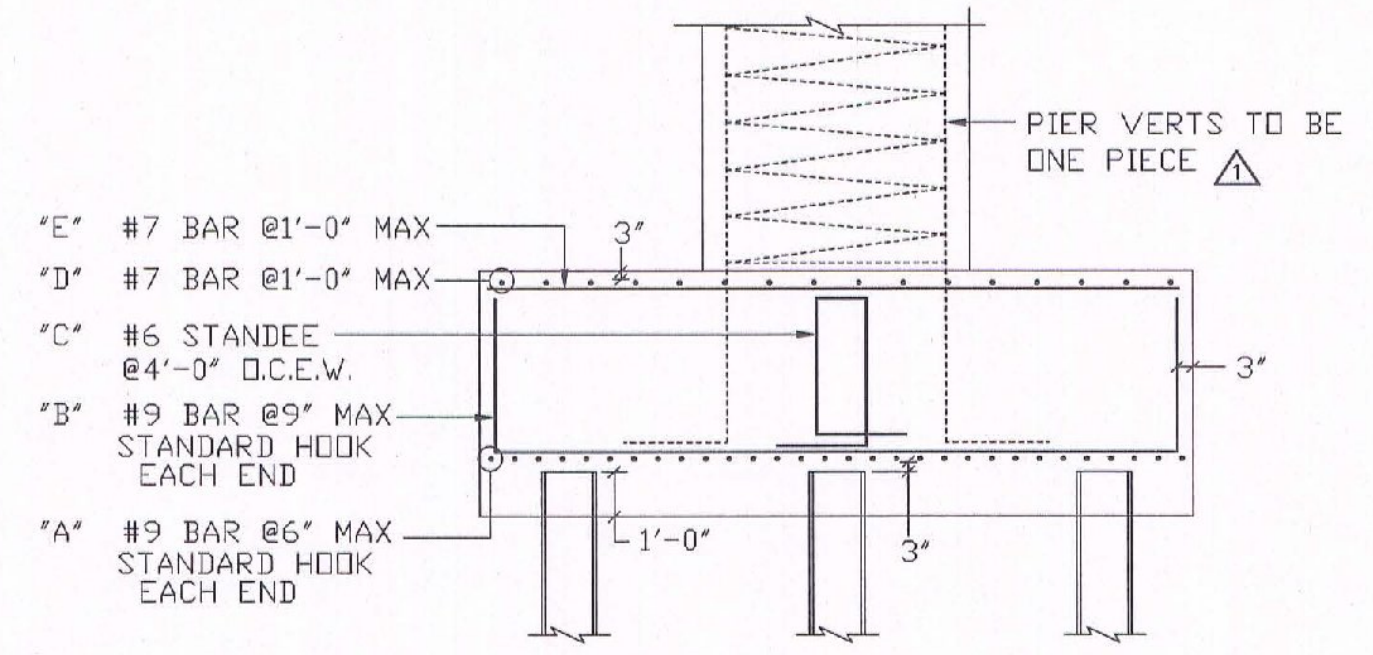
Release Number: 013				BAR LIST												
Bar Mark	Qty	Size	Total Length	Type	'A'	'B'	'C'	'D'	'E'	'F'	'G'	'H'	'J'	'K'	'O'	'R'
6C01	20	#6	12'-0 1/2"	25		1'-6"	3'-9 1/2"	1'-6"	3'-9 1/2"	1'-6"				3'-8"	1'-10"	
9C01	32	#9	29'-6"	17		4'-0"	21'-6"	4'-0"								
9C02	30	#9	23'-6"	17		4'-0"	15'-6"	4'-0"								



PIER FTG. PLAN  
BOTTOM MAT



PIER FTG. PLAN  
TOP MAT  
LAP = 3'-5"



SECT. 1  
PIER REINF ON  
FUTURE DWG.

Vermont Agency of Transportation  
**RECEIVED**  
CK'D BY VHB OK'D BY JTS  
May 13, 2013  
RESUBMIT NO Approved  
BY KMH DATE 05/15/13

**SHOP DRAWING REVIEW**

REVIEWED AS REQUIRED BY THE CONSTRUCTION CONTRACT DOCUMENTS AND APPROVED, BUT ONLY FOR CONFORMANCE TO THE DESIGN CONCEPT OF THE WORK, AND SUBJECT TO FURTHER LIMITATIONS AND REQUIREMENTS CONTAINED IN THE CONSTRUCTION CONTRACT DOCUMENTS.

REJECTED  REVISE AND RESUBMIT  FURNISH AS CORRECTED

CORRECTIONS OR COMMENTS MADE ON THE SHOP DRAWINGS DURING THIS REVIEW DO NOT RELIEVE CONTRACTOR FROM COMPLIANCE WITH REQUIREMENTS OF THE DRAWINGS AND SPECIFICATIONS. THIS CHECK IS ONLY FOR REVIEW OF GENERAL CONFORMANCE WITH THE DESIGN CONCEPT OF THE PROJECT AND GENERAL COMPLIANCE WITH THE INFORMATION GIVEN IN THE CONTRACT DOCUMENTS. THE CONTRACTOR IS RESPONSIBLE FOR CONFIRMING AND CORRELATING ALL QUANTITIES AND DIMENSIONS, SELECTING FABRICATION PROCESSES AND TECHNIQUES OF CONSTRUCTION, COORDINATING HIS WORK WITH THAT OF ALL OTHER TRADES, AND PERFORMING HIS WORK IN A SAFE AND SATISFACTORY MANNER.

**VHB** Vantasee Hargen Brustlin, Inc. Job Number: 57550.00  
Reviewed By: S.J. Gendron Date: 5-15-2013

-ELEVATIONS & DIMENSIONS SHOWN ON THIS DWG. ARE FOR REINF. DETAILING PURPOSES ONLY AND ARE NOT INTENDED FOR CONSTRUCTION.  
-REINF. BARS ASTM A615 GRADE 60

**FOR APPROVAL**

6			
5			
4	05/13/13	TOP MAT REVISED/APPROVAL	
3	04/09/13	APPROV AS RESUBM./FOR RECORD & JOB USE	
2	03/27/13	REV'D/ENG. COMM./APPROVAL	
1	03/04/13	APPROVAL	
DATE	REV.#	SENT FOR	
STRUCTURE	VTAOT JAMAICA ER BRF 013-1(16)		
LOCATION	JAMAICA, VT		
ARCHITECT			
ENGINEER			
CUSTOMER	T. BUCK CONSTRUCTION		
DRAWN BY	DATE	DFI #	
WAYNE	03/04/13	8421	
DRAWING COVERS		DRAWING #	
PIER FTG. REINF.		C	