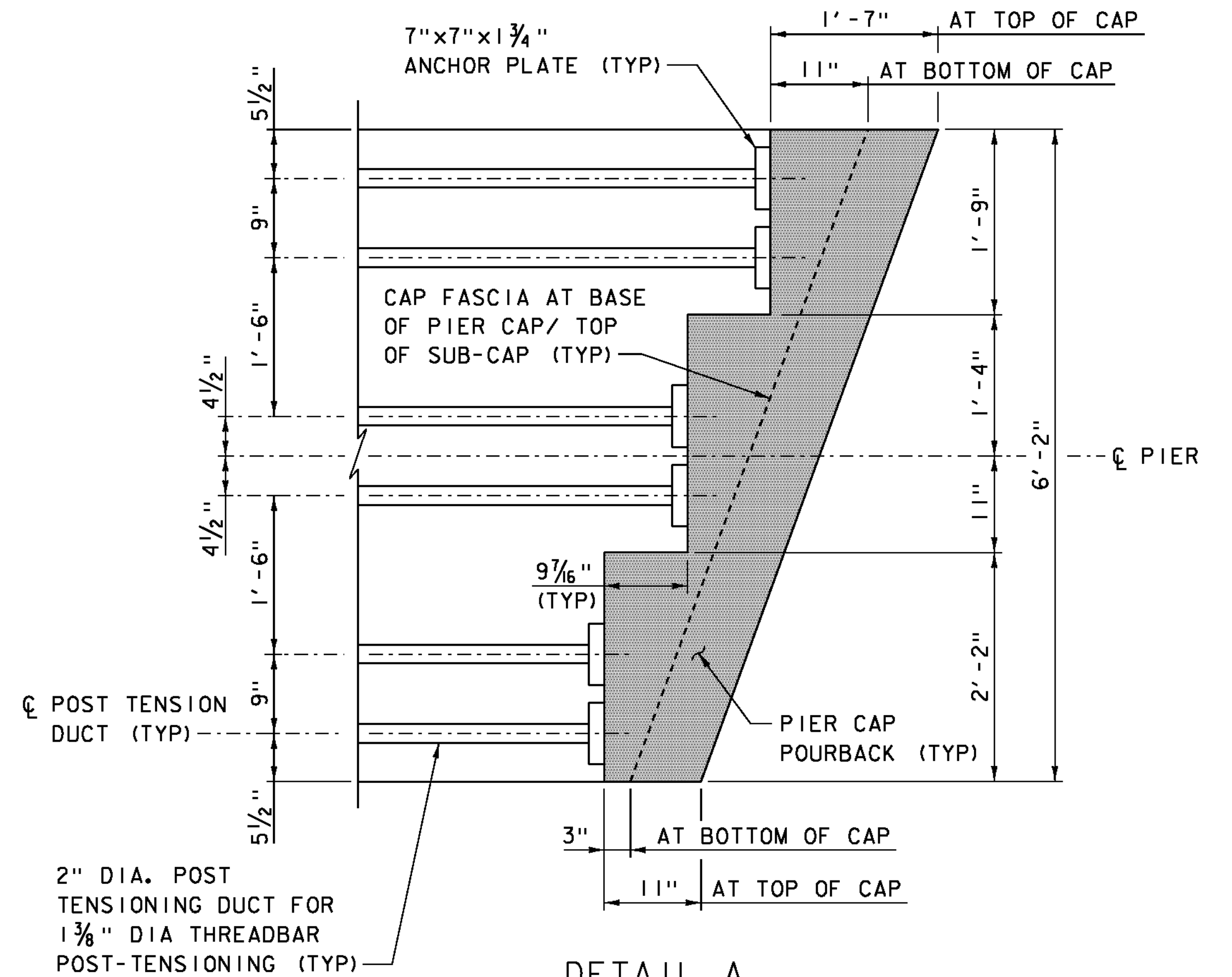
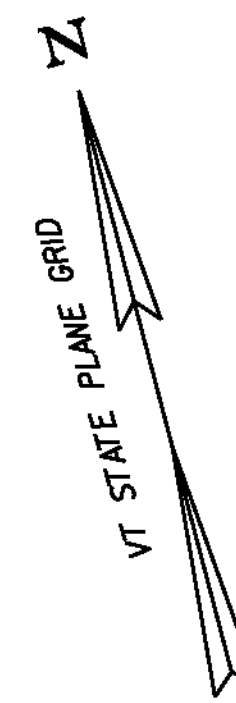
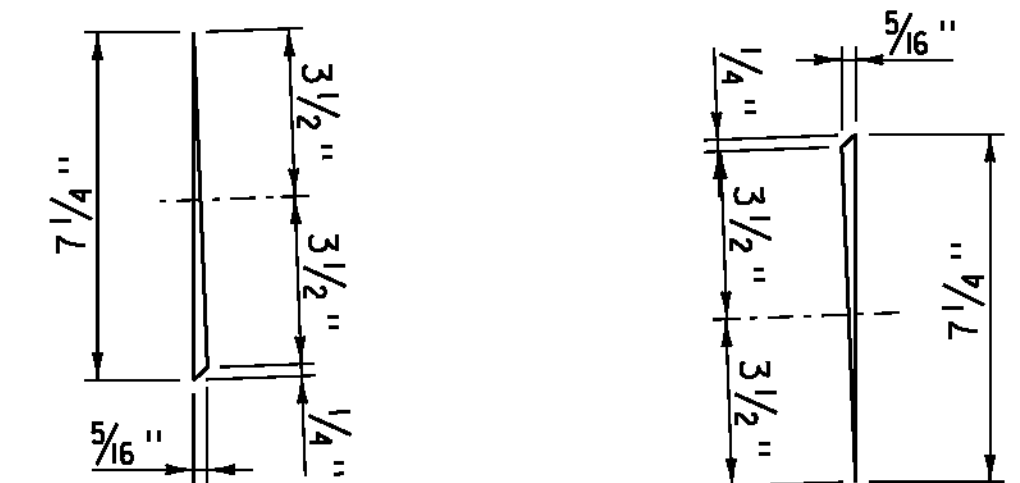


**PIER CAP MASONRY PLAN**  
SCALE  $\frac{3}{8}'' = 1'-0''$

WP = WORKING POINT  
 = CAST-IN-PLACE PIER CAP BLOCKOUT POURBACK



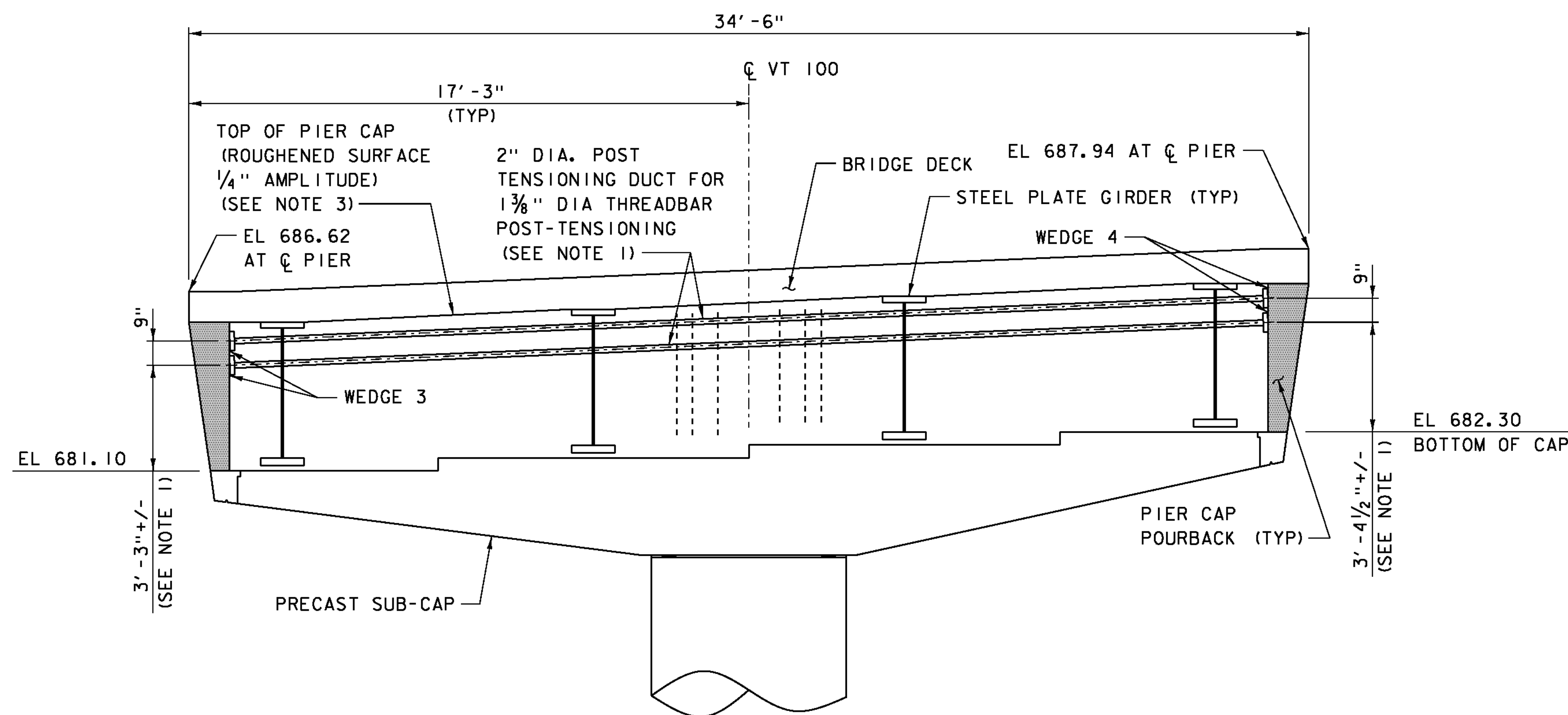
**DETAIL A**  
EAST END OF CAP SHOWN.  
WEST END OF CAP SAME BY 180° ROTATION.  
SCALE 1" = 1'-0"



**WEDGE 3**  
SCALE  $\frac{3}{8}'' = 1'-0''$

**WEDGE 4**  
SCALE 3" = 1'-0"

- NOTES:**
1. POST-TENSIONING BAR PROFILE IS SET BASED ON HOLES IN WEB OF GIRDER (SEE STEEL DETAILS FOR ADDITIONAL INFORMATION). POST-TENSIONING BARS SHALL BE CENTERED IN HOLES IN WEB. GROUT PORTS AND VENTS NOT SHOWN.
  2. SEE PIER CONSTRUCTION SEQUENCE SHEET FOR POST-TENSIONING STRESSING SEQUENCE.
  3. TOP OF PIER CAP TO BE FLUSH WITH TOP OF GIRDER TOP FLANGE.



**SECTION A-A**  
SCALE  $\frac{3}{8}'' = 1'-0''$

PROJECT NAME: JAMAICA  
 PROJECT NUMBER: ER-BRF 013-1(16)

FILE NAME: z11b212sub\_pier\_encase.dgn PLOT DATE: 12-OCT-2012  
 PROJECT LEADER: K. HIGGINS (VTRANS) DRAWN BY: B.J. MASSE  
 DESIGNED BY: A.T. BURKHOLDER CHECKED BY: G.S. GOODRICH  
 PIER CAP MASONRY SHEET 42 OF 85