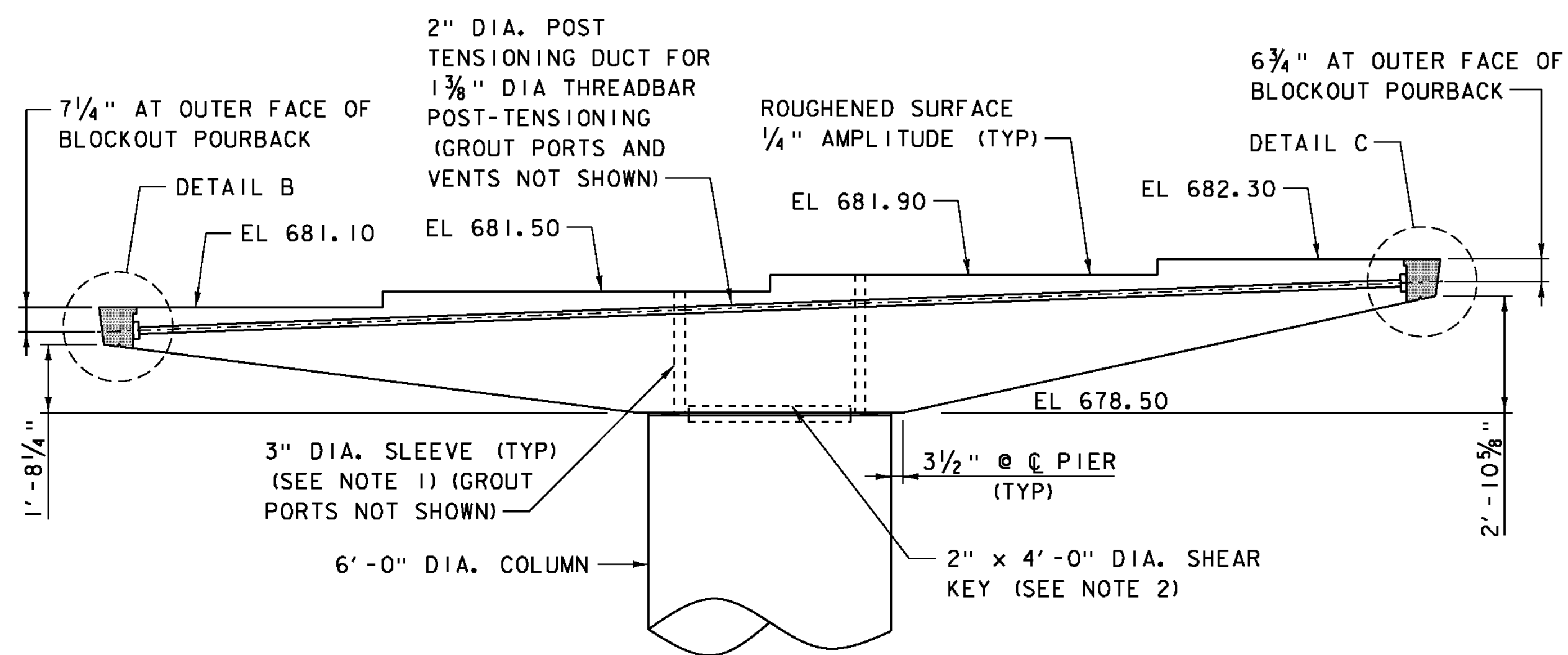


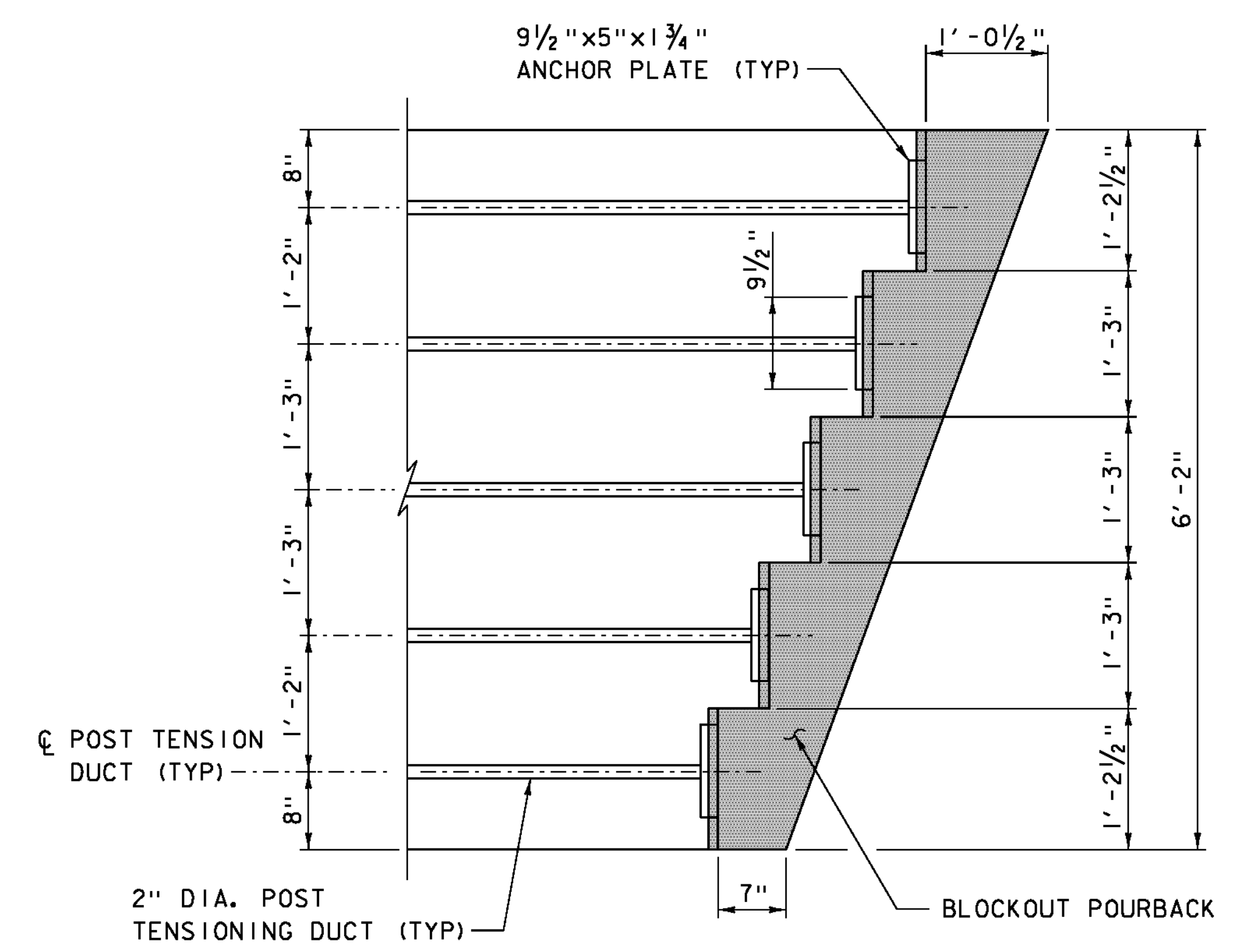
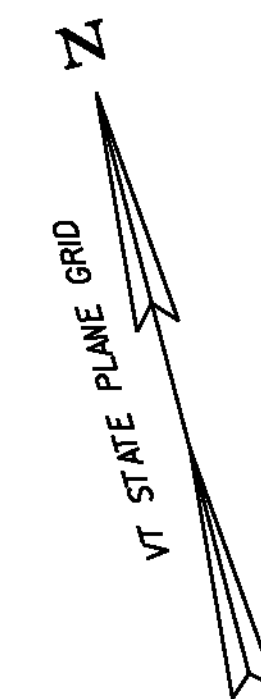
PRECAST SUB-CAP MASONRY PLAN
SCALE 3/8" = 1'-0"

WP = WORKING POINT

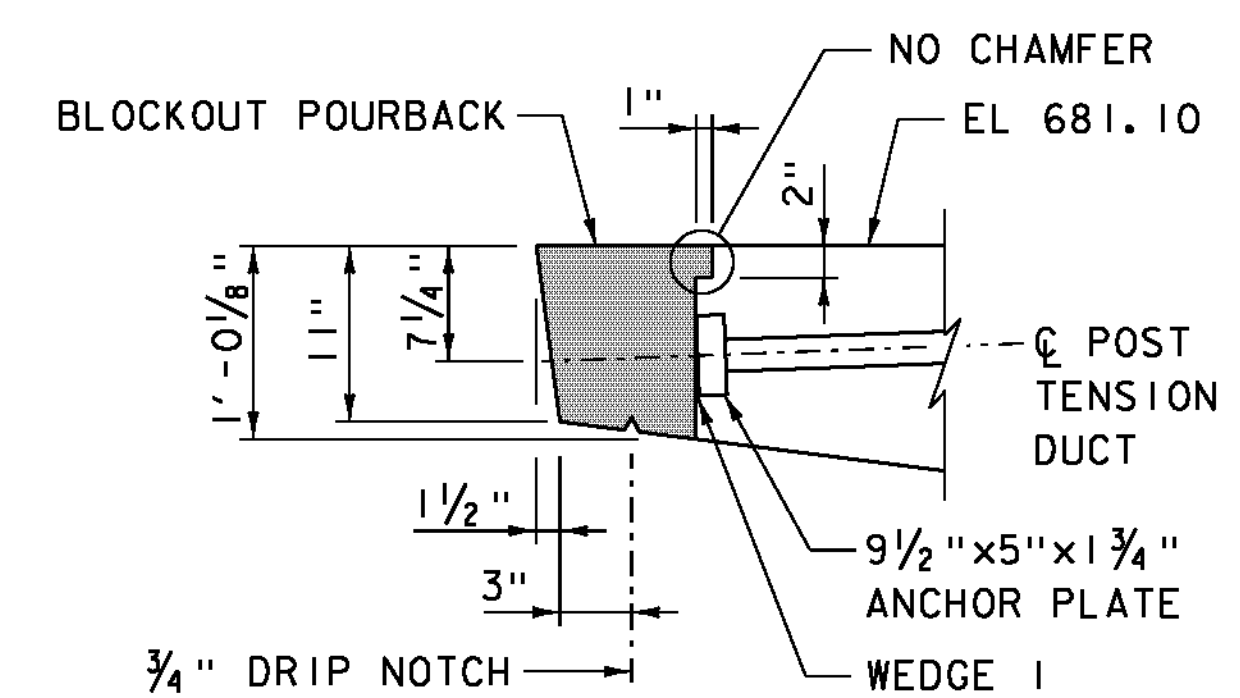
= CAST-IN-PLACE SUB-CAP BLOCKOUT POURBACK



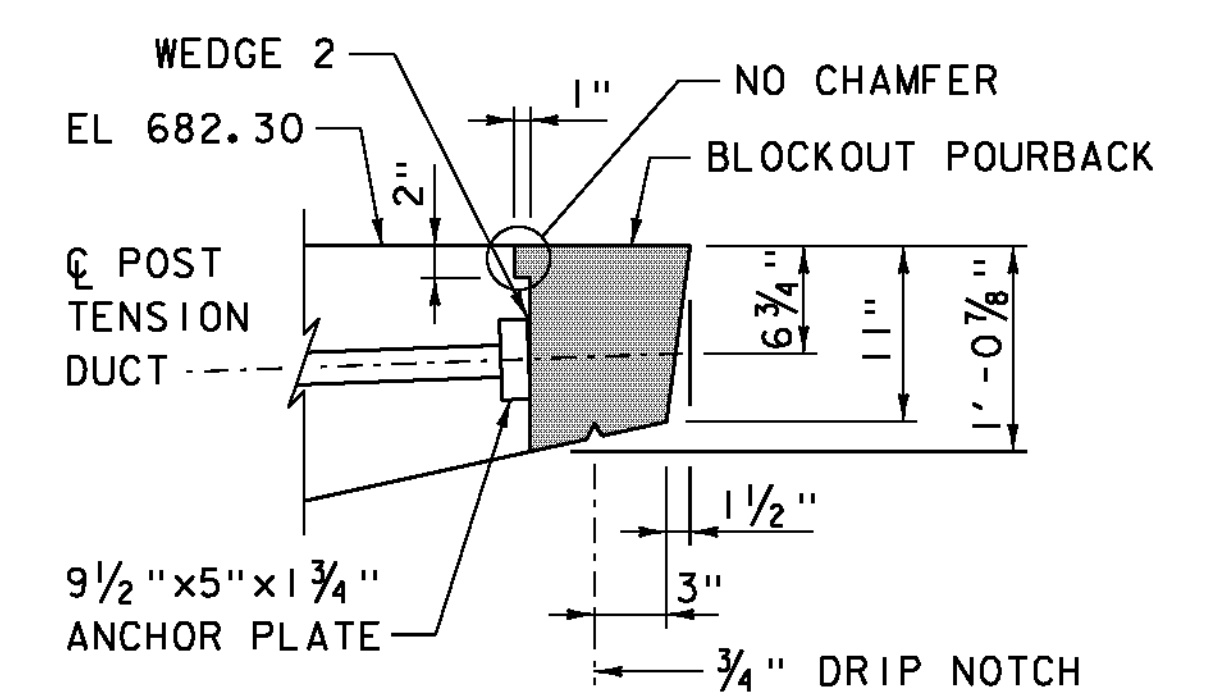
SECTION A-A
SCALE 3/8" = 1'-0"



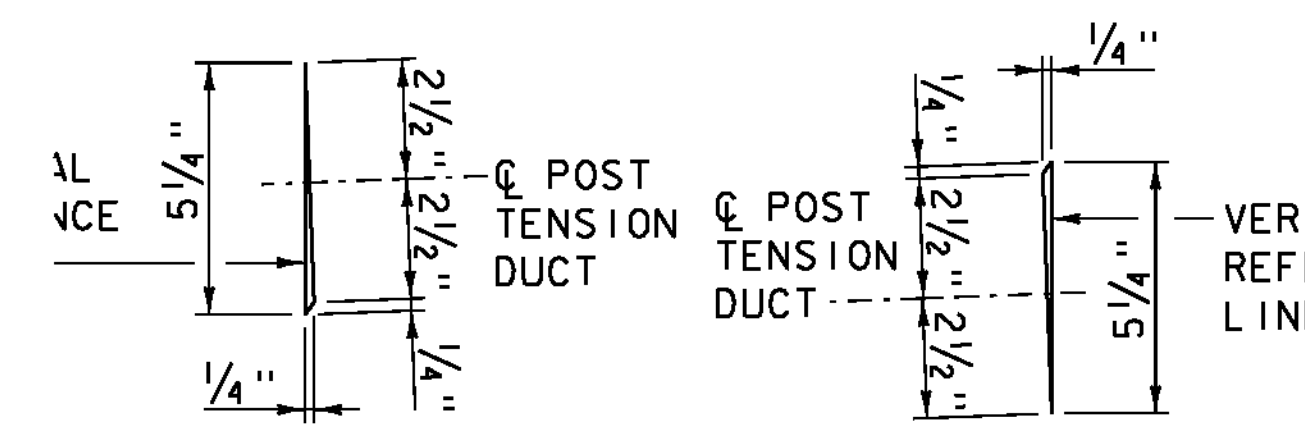
DETAIL A
EAST END OF SUB-CAP SHOWN.
WEST END SIMILAR BY 180° ROTATION.
SCALE 1" = 1'-0"



DETAIL B
SCALE 1" = 1'-0"



DETAIL C
SCALE 1" = 1'-0"



WEDGE 1
SCALE 3" = 1'-0"

WEDGE 2
SCALE 3" = 1'-0"

- NOTES:
1. VERTICAL SLEEVE LOCATION SHALL BE COORDINATED WITH THE PLACEMENT OF THE VERTICAL THREADBAR EXTENDING FROM THE CAST-IN-PLACE COLUMN TO ENSURE PROPER FIT-UP AND CAP ALIGNMENT IN THE FIELD. SEE PIER COLUMN SHEET FOR PLACEMENT DETAILS.
 2. SEE PIER COLUMN SHEET FOR ADDITIONAL SHEAR KEY DETAILS.
 3. SEE PIER CONSTRUCTION SEQUENCE SHEET FOR POST-TENSIONING STRESSING SEQUENCE.
 4. SEE PIER SUB-CAP AND CAP DETAILS SHEET FOR GIRDER BLOCKING DETAIL AND ELEVATIONS.

PROJECT NAME:	JAMAICA
PROJECT NUMBER:	ER-BRF 013-1(16)
FILE NAME:	z11b212sub_pier_cap.m.dgn
PROJECT LEADER:	K. HIGGINS (VTRANS)
DESIGNED BY:	A.T. BURKHOLDER
PIER SUB-CAP MASONRY	
PLOT DATE:	12-OCT-2012
DRAWN BY:	B.J. MASSE
CHECKED BY:	G.S. GOODRICH
SHEET	41 OF 85