

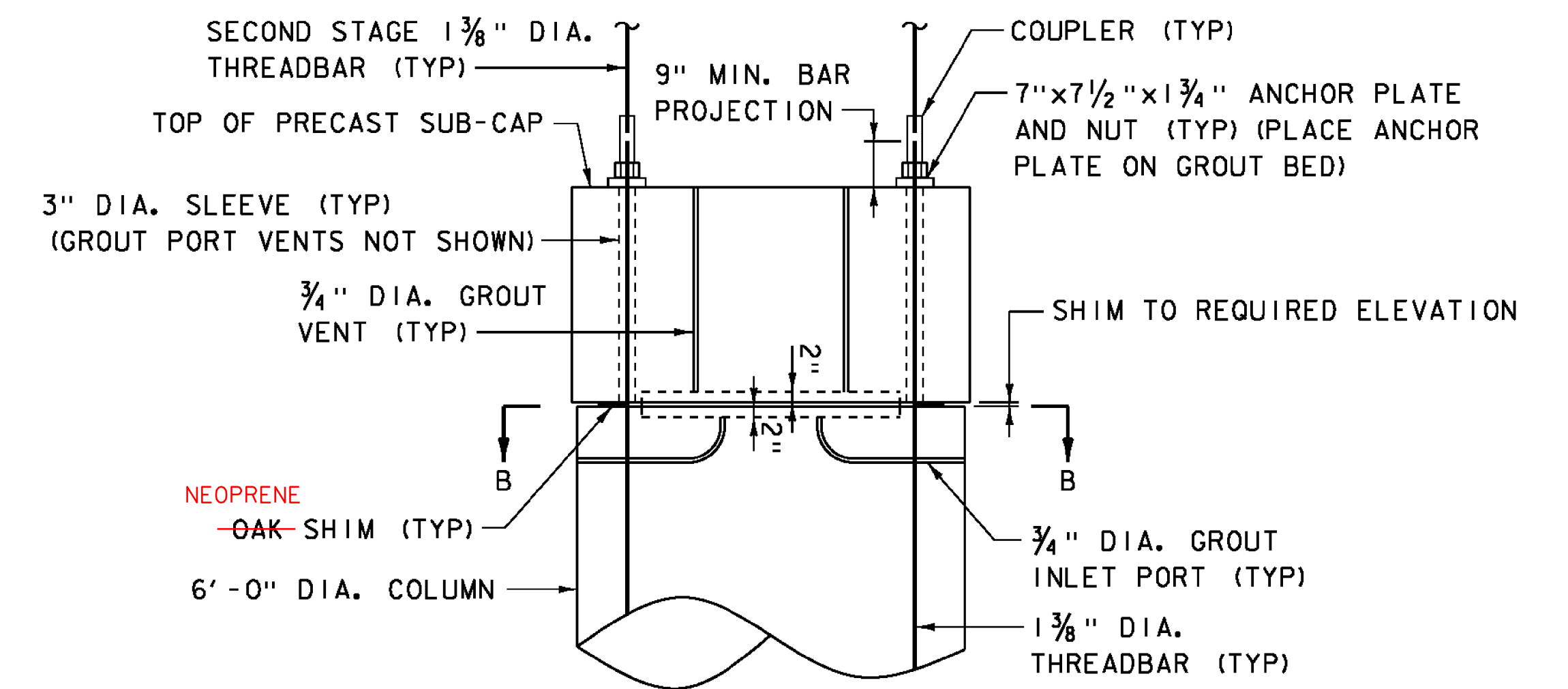
PIER SECTION
REINFORCING IN FOOTING AND PIER CAP
NOT SHOWN FOR CLARITY
SCALE 3/8" = 1'-0"

NOTES:

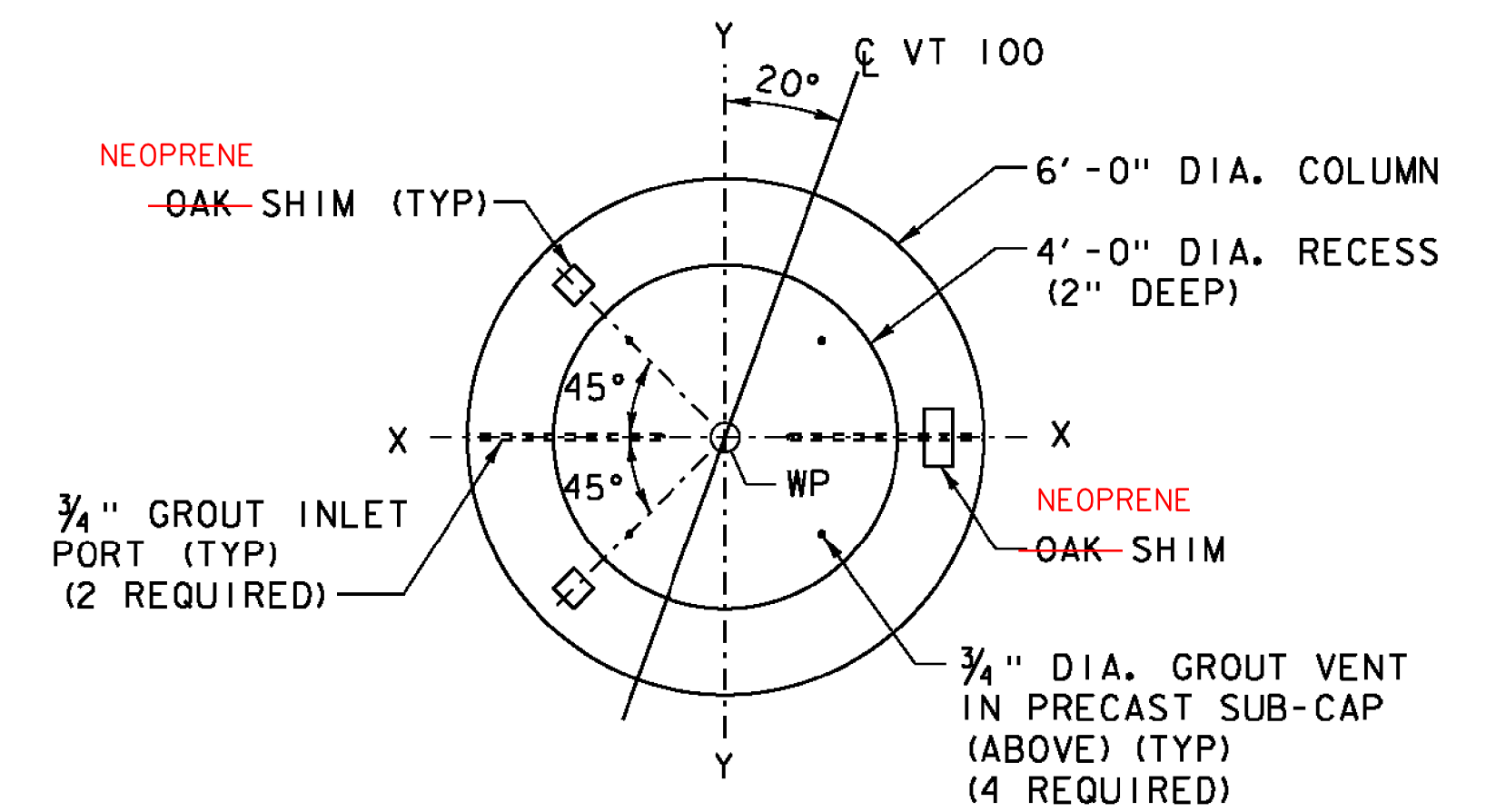
- CONTRACTOR SHALL COORDINATE THREADBAR PLACEMENT WITH PRECAST SUB-CAP FABRICATOR FOR PLACEMENT OF SLEEVES IN SUB-CAP TO ENSURE PROPER FIT-UP AND ALIGNMENT IN THE FIELD. SEE PIER SUB-CAP MASONRY SHEET FOR ADDITIONAL INFORMATION.
- TRANSVERSE POST-TENSIONING DUCTS IN PRECAST SUB-CAP AND PIER CAP NOT SHOWN FOR CLARITY.

1 3/8" THREADBAR PLACEMENT COORDINATES		
BAR NUMBER	X	Y
1	11 7/16"	2' - 1 11/16"
2	1' - 8 7/8"	1' - 6 13/16"
3	2' - 2 11/16"	8 11/16"
4	2' - 2 11/16"	(8 11/16")
5	1' - 8 7/8"	(1' - 6 13/16")
6	11 7/16"	(2' - 1 11/16")
7	(11 7/16")	(2' - 1 11/16")
8	(1' - 8 7/8")	(1' - 6 13/16")
9	(2' - 2 11/16")	(8 11/16")
10	(2' - 2 11/16")	8 11/16"
11	(1' - 8 7/8")	1' - 6 13/16"
12	(11 7/16")	2' - 1 11/16"

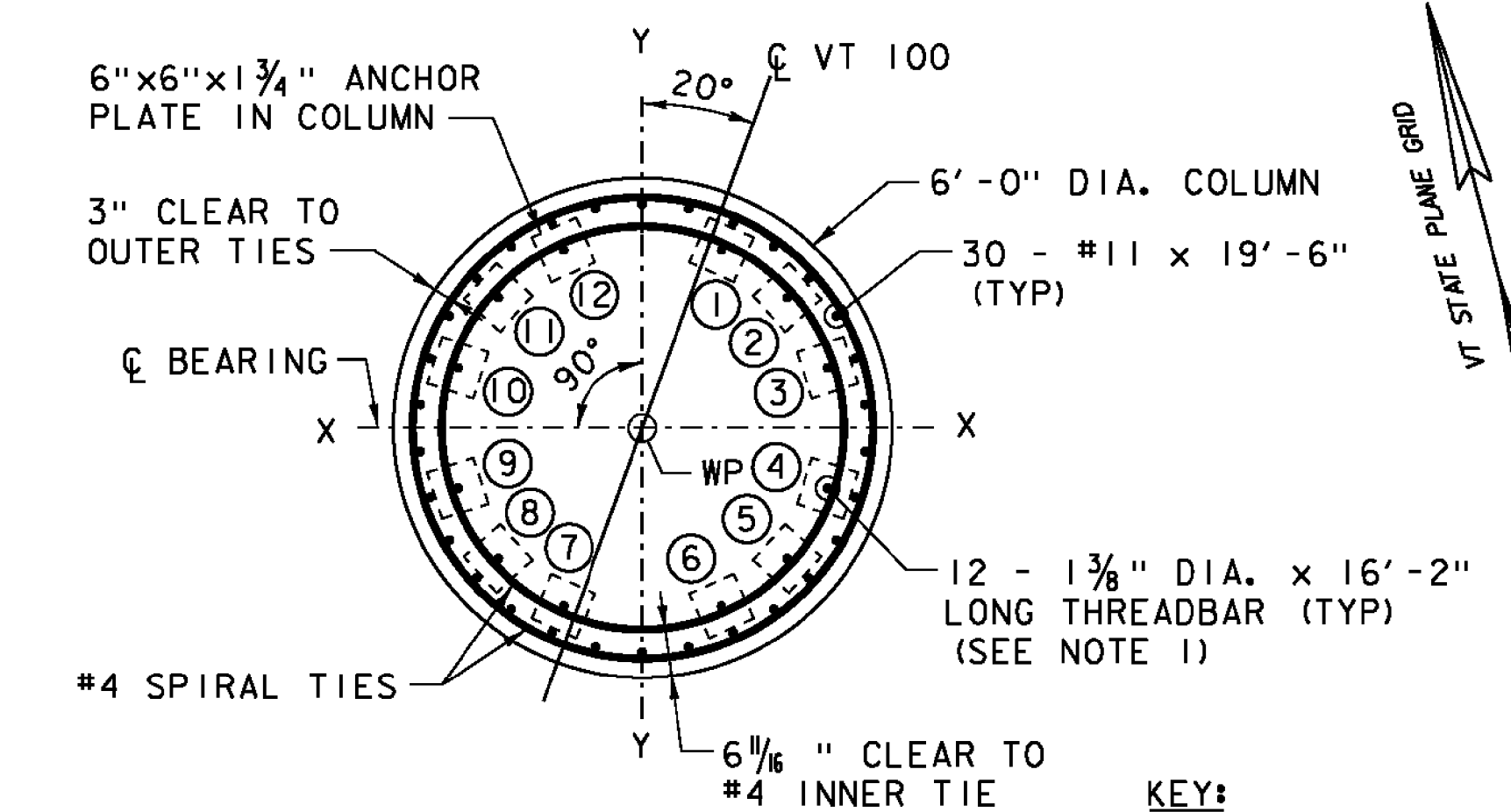
COORDINATES ARE RELATIVE TO CENTER OF COLUMN, ALIGNED WITH \bar{C} BEARING



DETAIL A
SCALE 1/2" = 1'-0"



SECTION B-B
SCALE 1/2" = 1'-0"



SECTION A-A
SCALE 1/2" = 1'-0"

KEY:
WP = WORKING POINT
⊙ = 1 3/8" DIA. THREADBAR NUMBERS

PROJECT NAME: JAMAICA	PLOT DATE: 12-OCT-2012
PROJECT NUMBER: ER-BRF 013-1(16)	DRAWN BY: B.J. MASSE
FILE NAME: z11b212sub_pier_col.dgn	CHECKED BY: G.S. GOODRICH
PROJECT LEADER: K. HIGGINS (VTRANS)	SHEET 40 OF 85
DESIGNED BY: K.G. KRETSCH	
PIER COLUMN	

