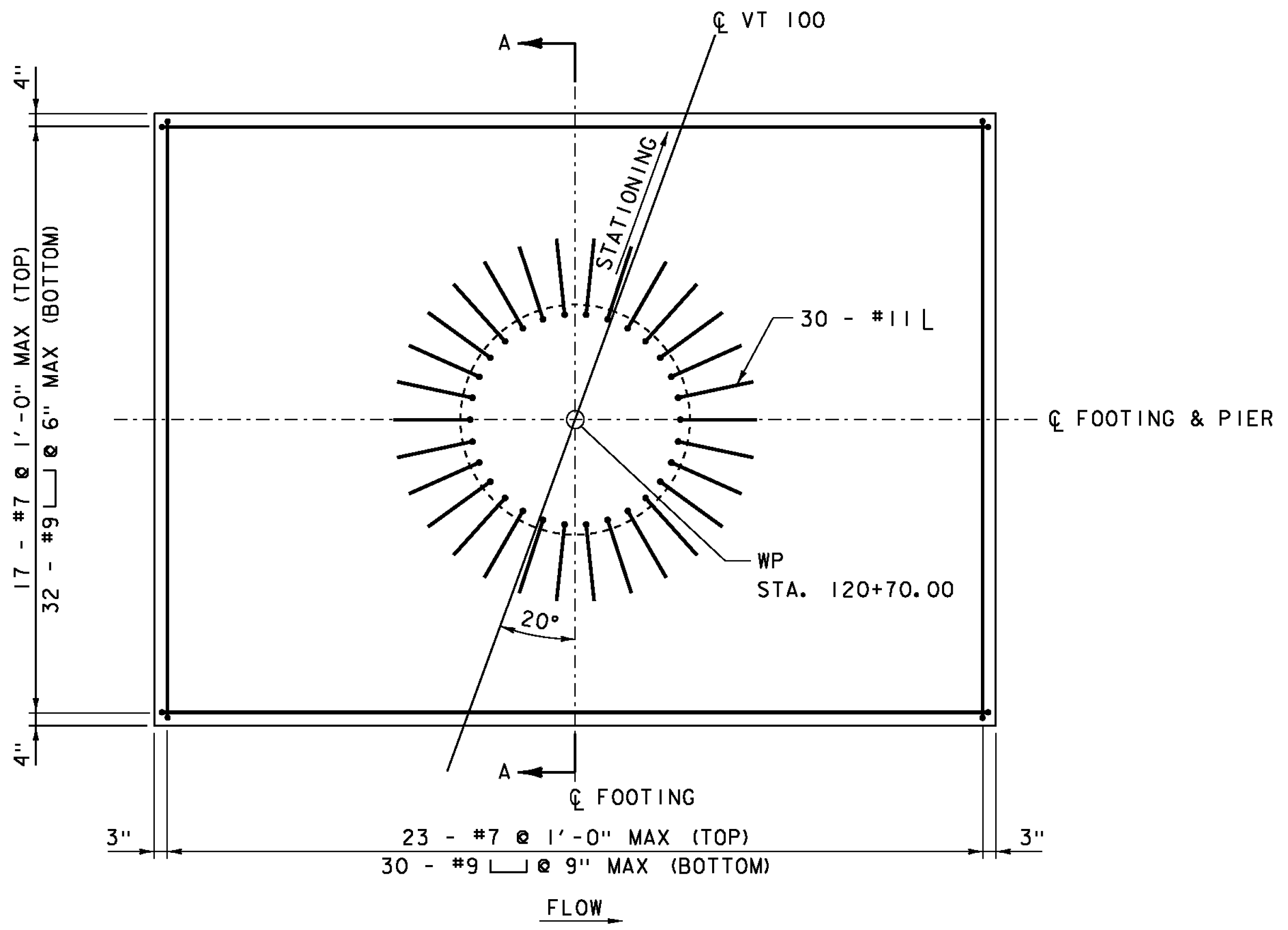
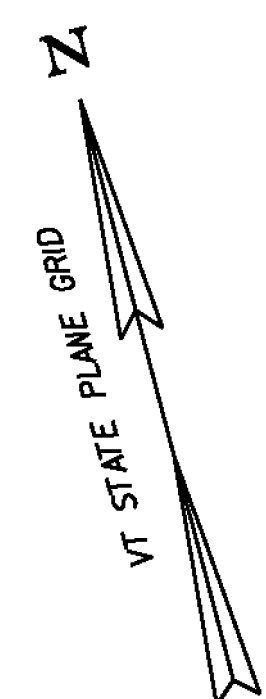
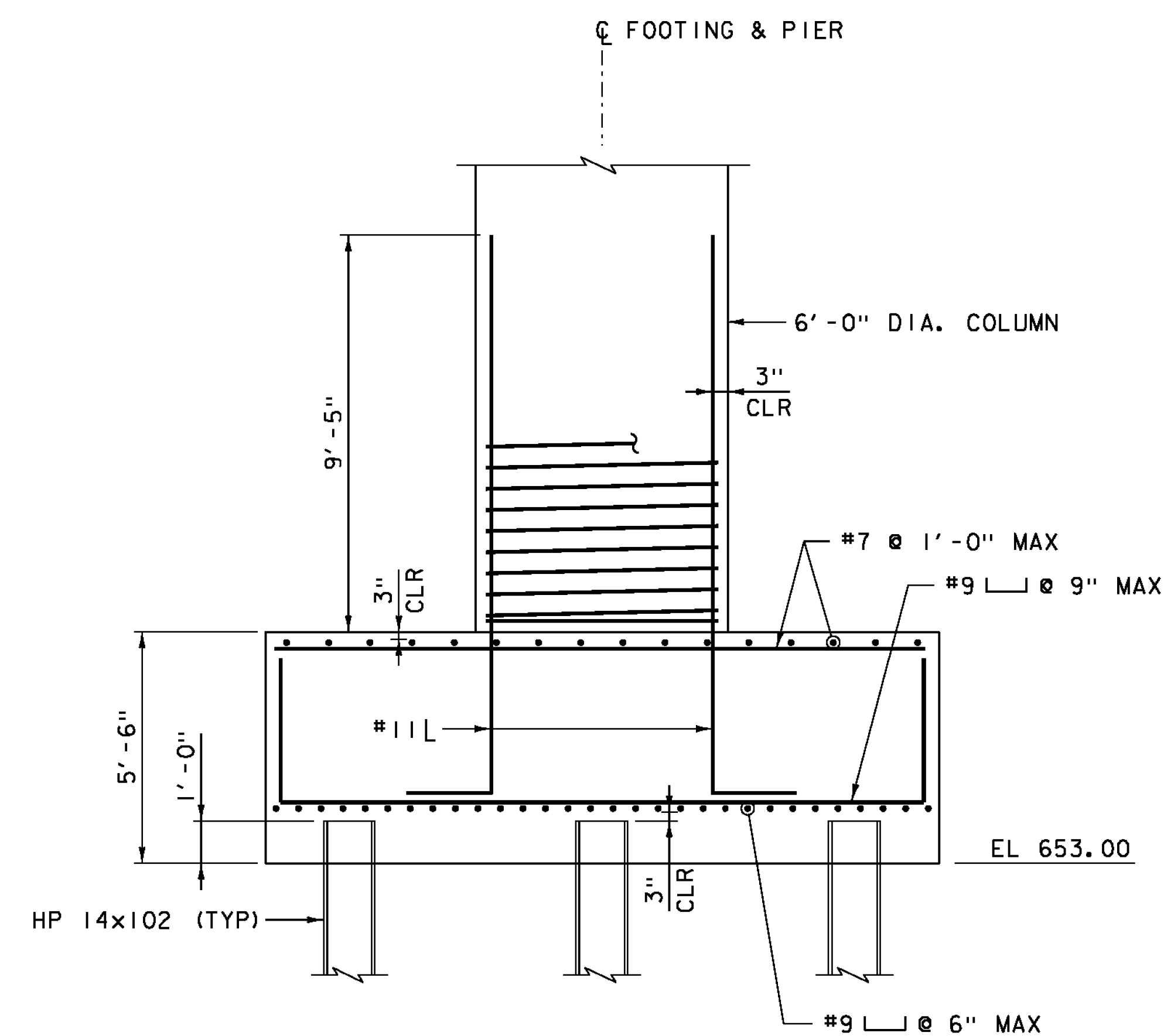


PIER FOOTING MASONRY & PILE LAYOUT  
SCALE 3/8" = 1'-0"

WP = WORKING POINT  
PILE KEY:  
I = VERTICAL PILE



PIER FOOTING REINFORCING  
SCALE 3/8" = 1'-0"



SECTION A-A  
SCALE 3/8" = 1'-0"

NOTE:  
1. PIER COLUMN SHOWN FOR PURPOSES OF LOCATING REINFORCING STEEL AS REQUIRED IN FOOTING.

|                 |                             |
|-----------------|-----------------------------|
| PROJECT NAME:   | JAMAICA                     |
| PROJECT NUMBER: | ER-BRF 013-1(16)            |
| FILE NAME:      | zlib212sub_pier_footing.dgn |
| PLOT DATE:      | 12-OCT-2012                 |
| PROJECT LEADER: | K. HIGGINS (VTRANS)         |
| DRAWN BY:       | B.J. MASSE                  |
| DESIGNED BY:    | K.G. KRETSCH                |
| CHECKED BY:     | G.S. GOODRICH               |
| PIER FOOTING    | SHEET 39 OF 85              |

