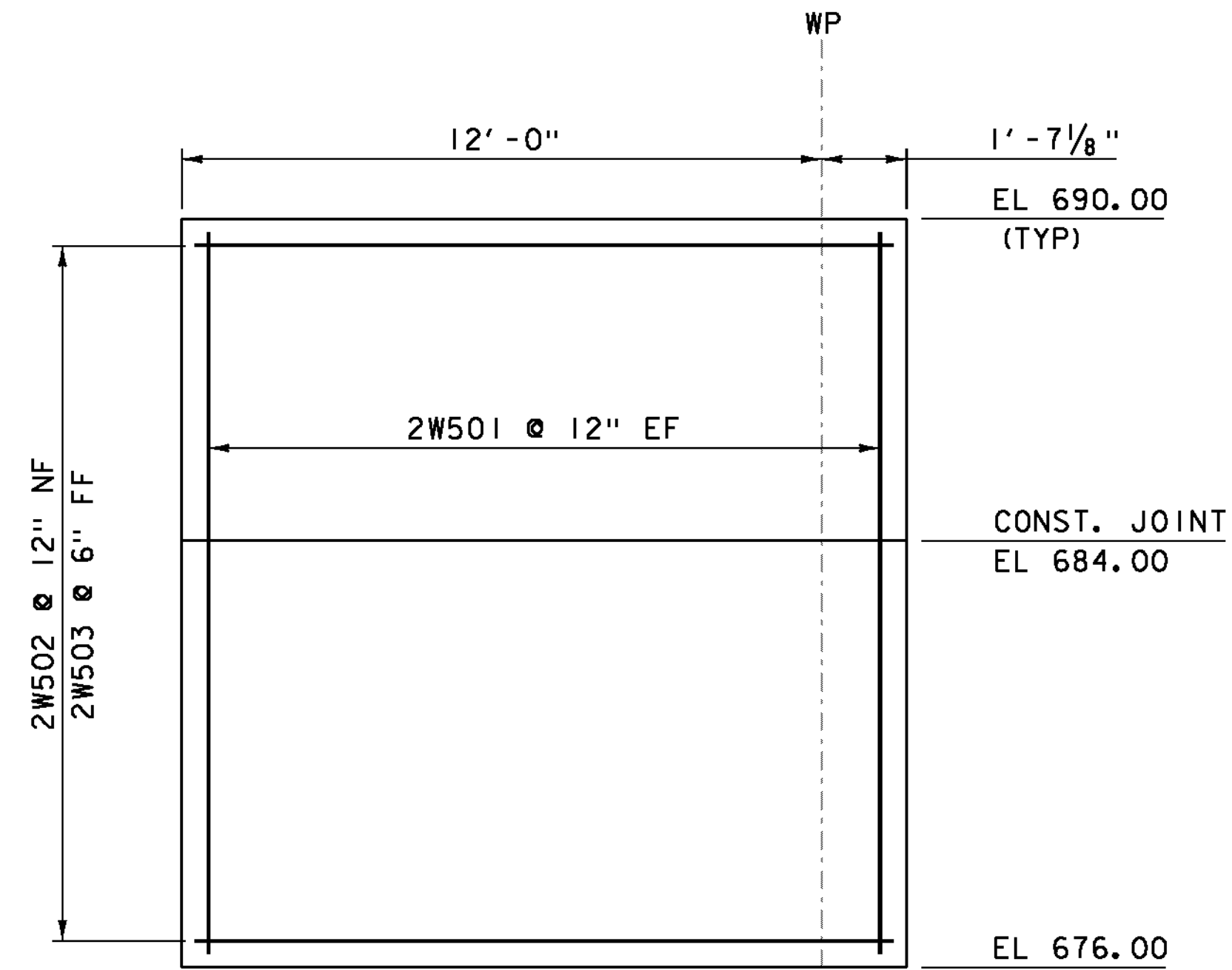


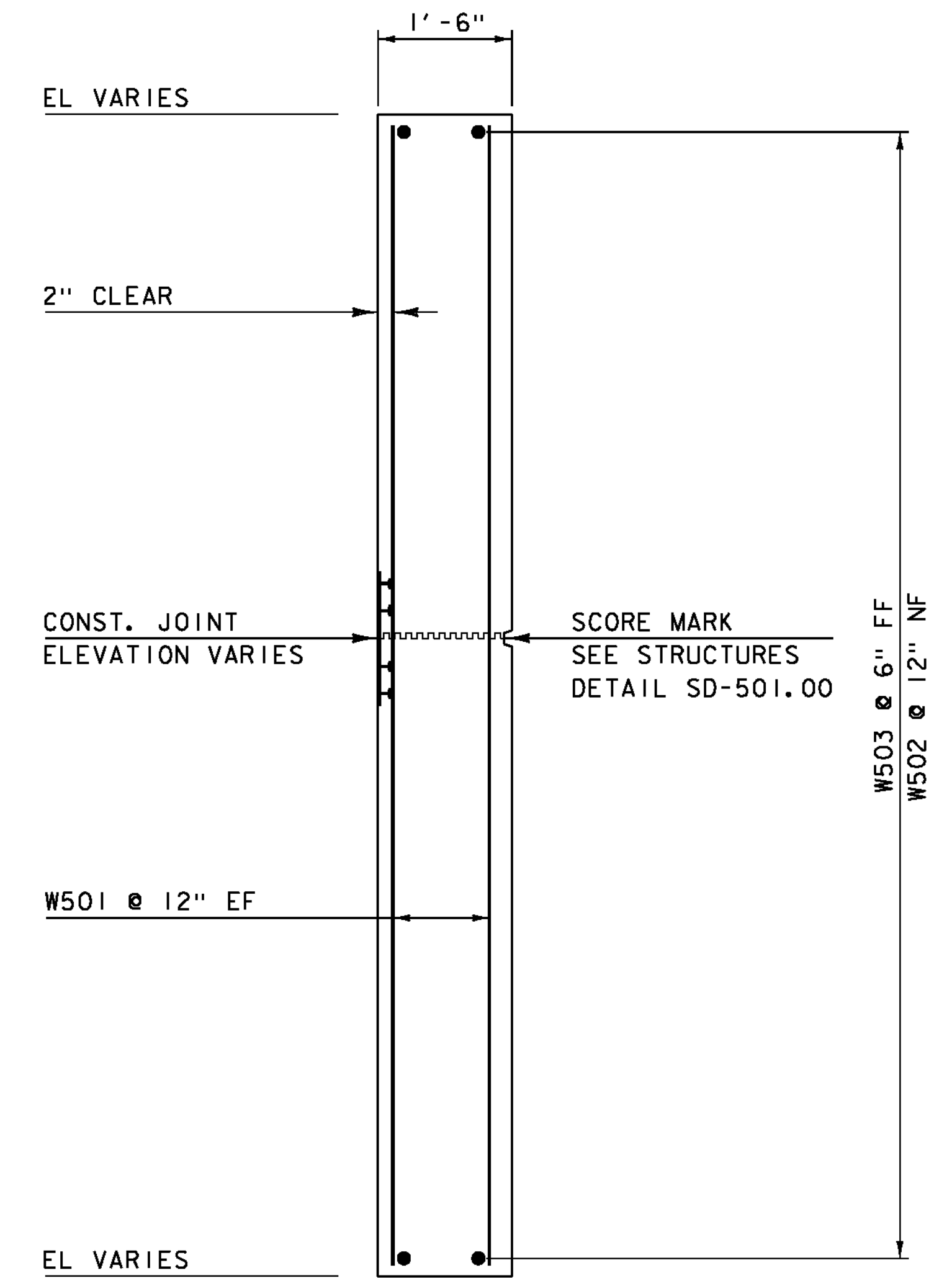
WINGWALL 1 ELEVATION

SCALE 3/8" = 1'-0"



WINGWALL 2 ELEVATION

SCALE 3/8" = 1'-0"

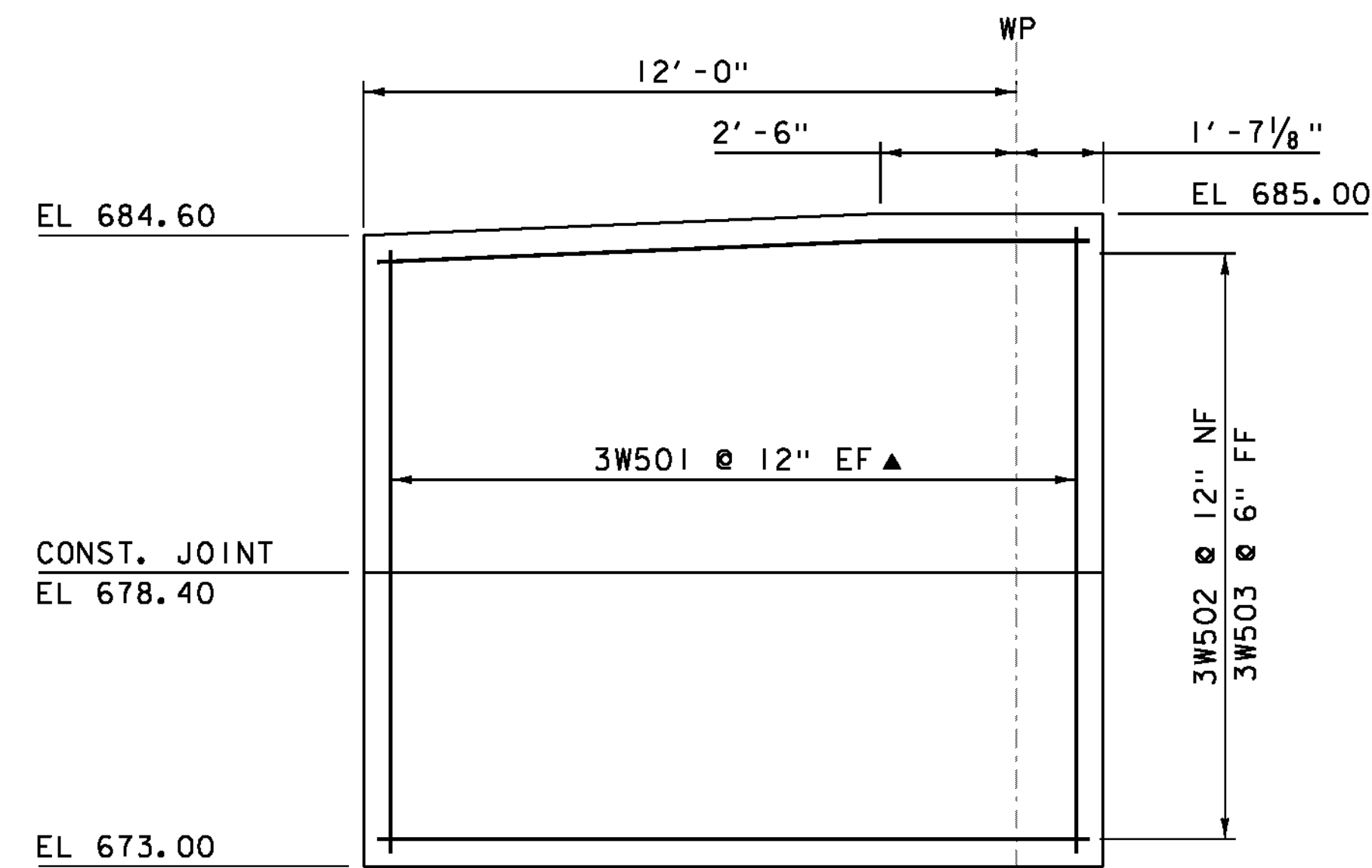


WINGWALL TYPICAL

SCALE 3/4" = 1'-0"

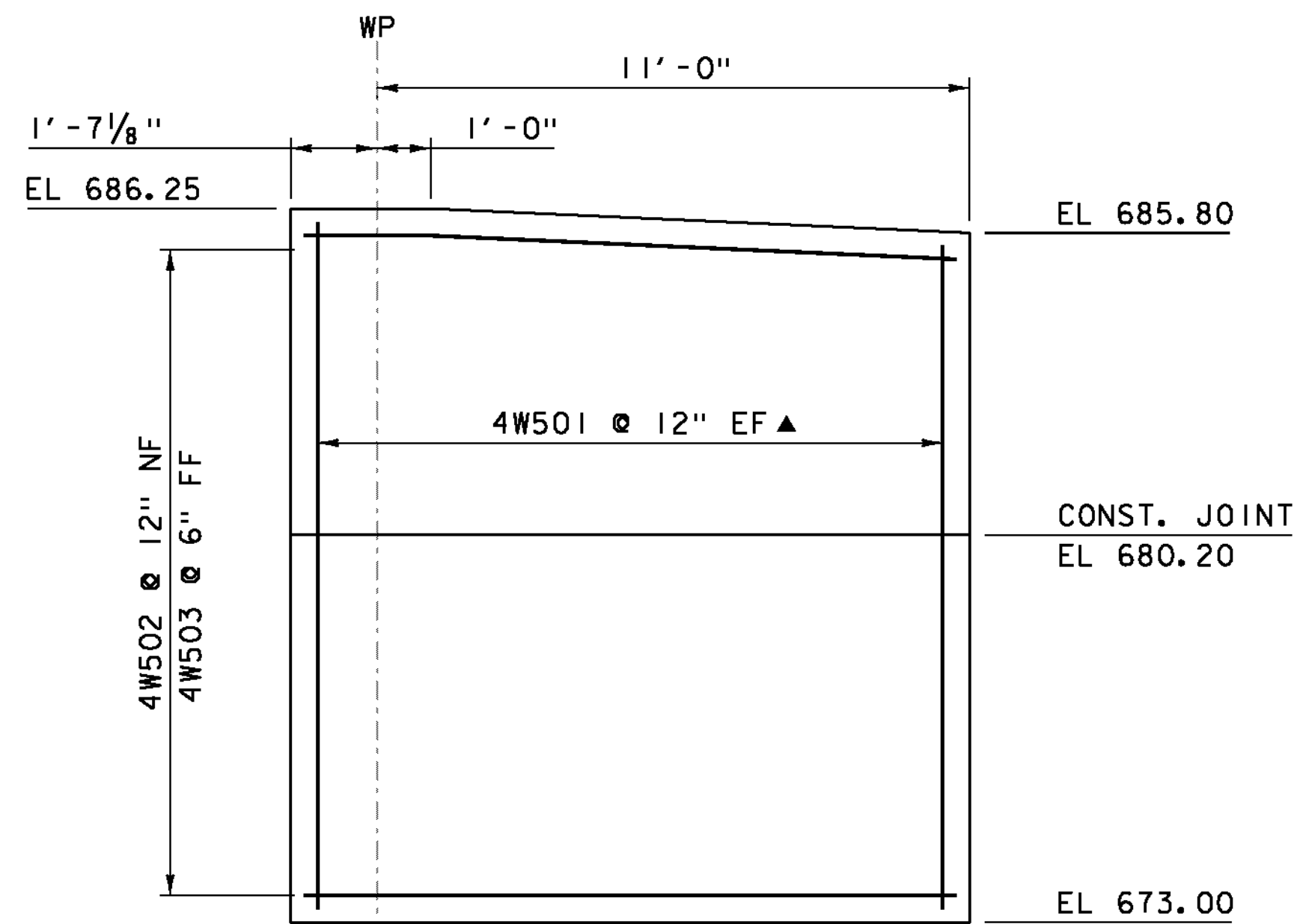
NOTE:

- NF = NEAR FACE
- FF = FAR FACE
- EF = EACH FACE
- ▲ = CUT TO FIT IN FIELD
- 3" CLEAR, UNLESS OTHERWISE SPECIFIED ON THE PLANS.
- 2'-2" BAR LAP UNLESS OTHERWISE SPECIFIED ON THE PLANS.



WINGWALL 3 ELEVATION

SCALE 3/8" = 1'-0"



WINGWALL 4 ELEVATION

SCALE 3/8" = 1'-0"



PROJECT NAME: JAMAICA
 PROJECT NUMBER: ER-BRF 013-1 (16)

FILE NAME: s11b212sub.dgn PLOT DATE: 12-OCT-2012
 PROJECT LEADER: VTRANS DRAWN BY: VTRANS
 DESIGNED BY: K. KRETSCH CHECKED BY: G. GOODRICH
 WING WALL DETAILS SHEET 36 OF 85