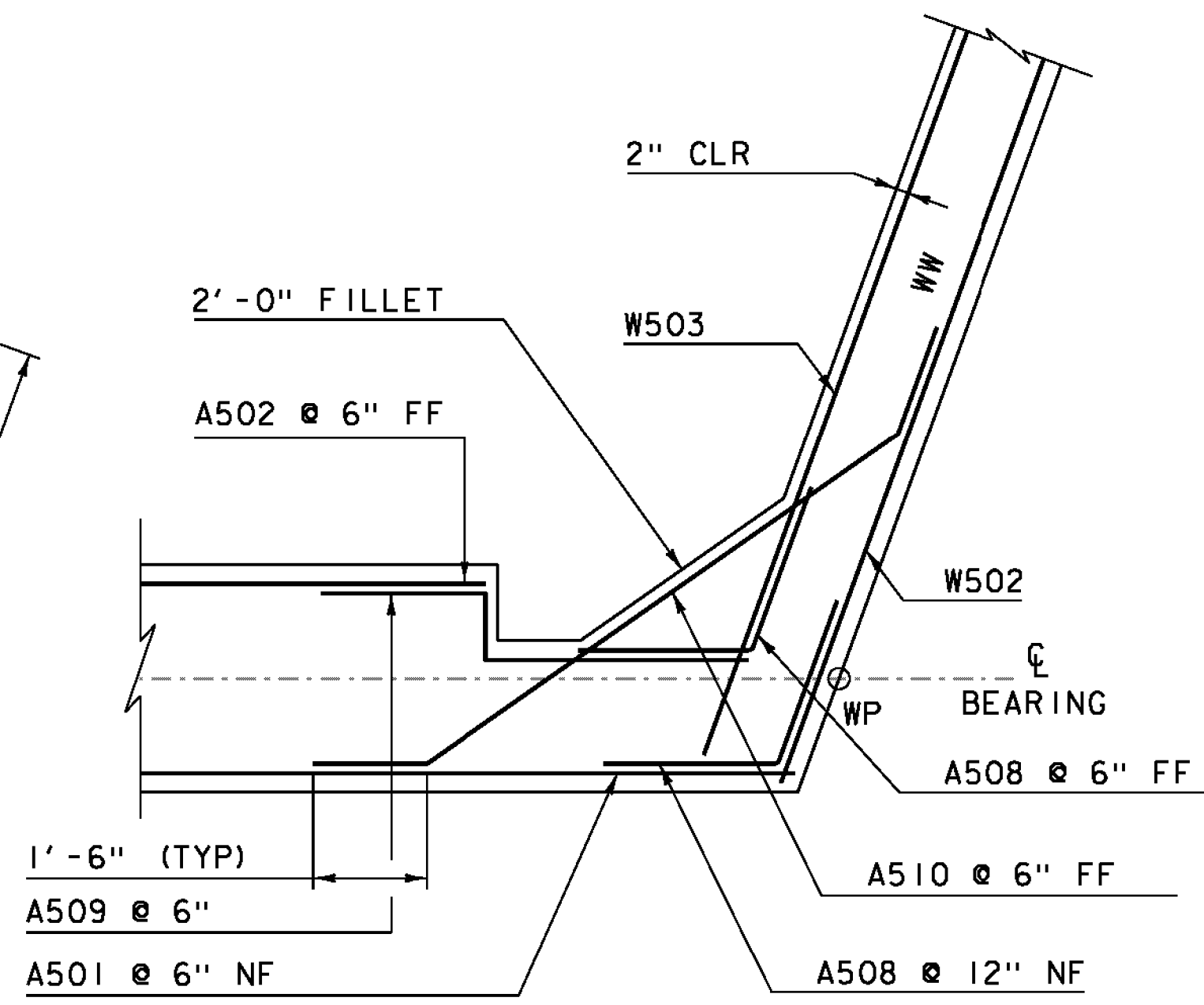
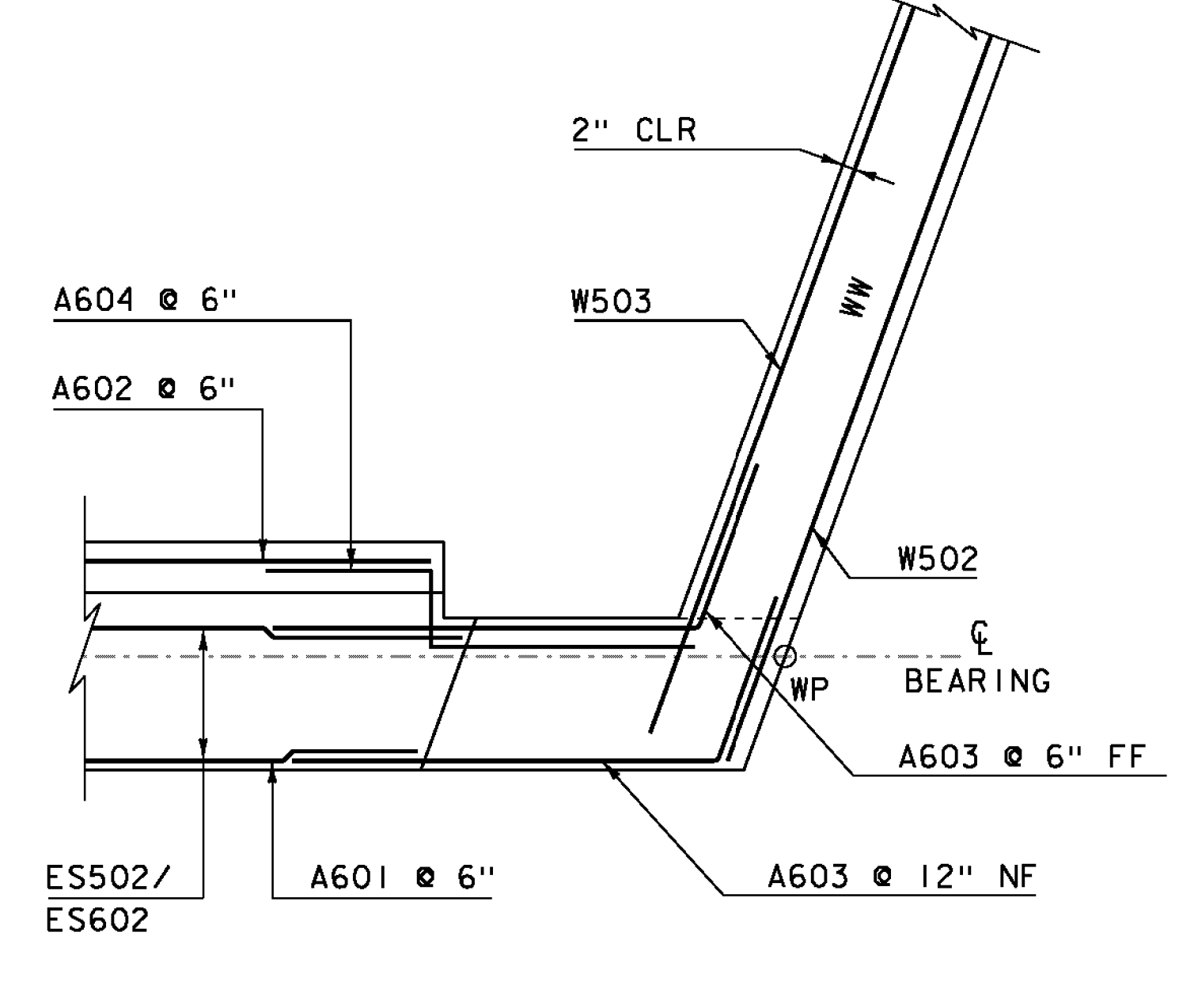


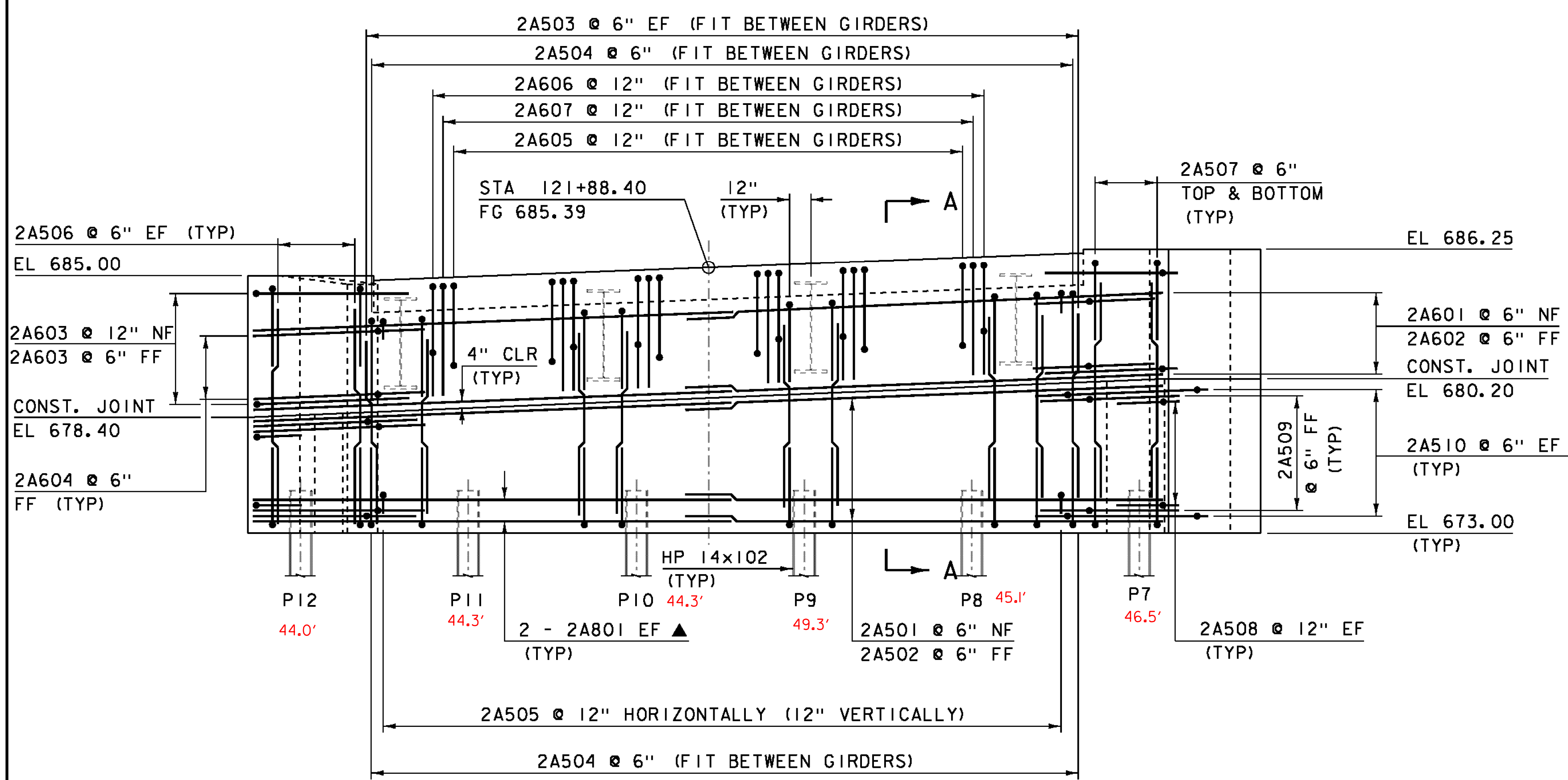
**ABUTMENT 2 PLAN**  
SCALE 1/4" = 1'-0"



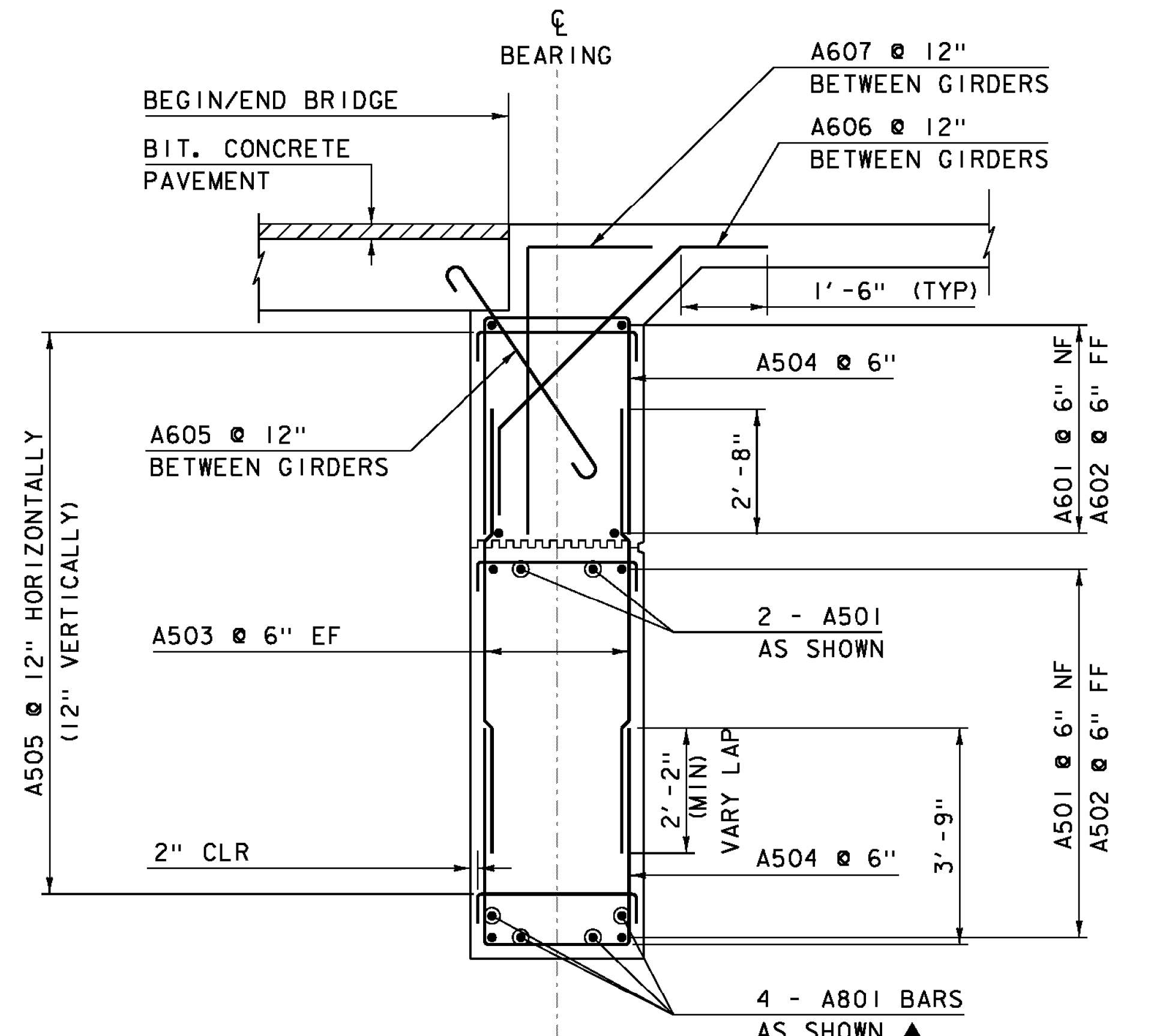
**CORNER DETAIL BELOW CONSTRUCTION JOINT**  
SCALE 1/2" = 1'-0"



**CORNER DETAIL ABOVE CONSTRUCTION JOINT**  
SCALE 1/2" = 1'-0"



**ABUTMENT 2 ELEVATION**  
SCALE 1/4" = 1'-0"



**SECTION A-A ABUTMENT REINFORCING TYPICAL**  
SCALE 1/2" = 1'-0"

**NOTE:**  
 NF = NEAR FACE  
 FF = FAR FACE  
 EF = EACH FACE  
 ▲ = CUT TO FIT IN FIELD  
 3" CLEAR, UNLESS OTHERWISE SPECIFIED ON THE PLANS.  
 2'-2" BAR LAP UNLESS OTHERWISE SPECIFIED ON THE PLANS.

PROJECT NAME:	JAMAICA	PLOT DATE:	12-OCT-2012
PROJECT NUMBER:	ER-BRF 013-1(16)	DRAWN BY:	VTRANS
FILE NAME:	s11b212sub.dgn	CHECKED BY:	G. GOODRICH
PROJECT LEADER:	VTRANS	DESIGNED BY:	K. KRETSCH
ABUTMENT 2			SHEET 35 OF 85