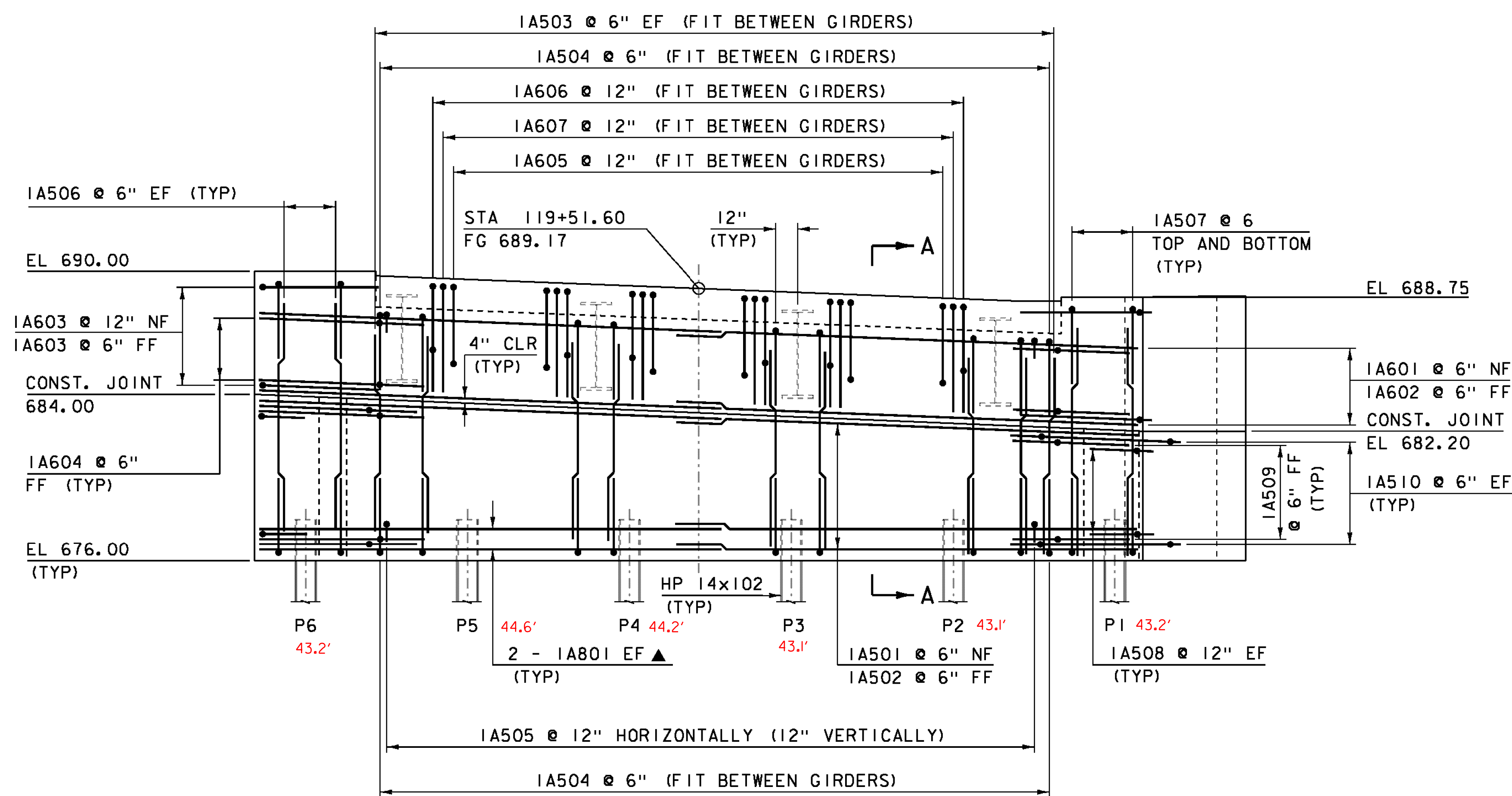
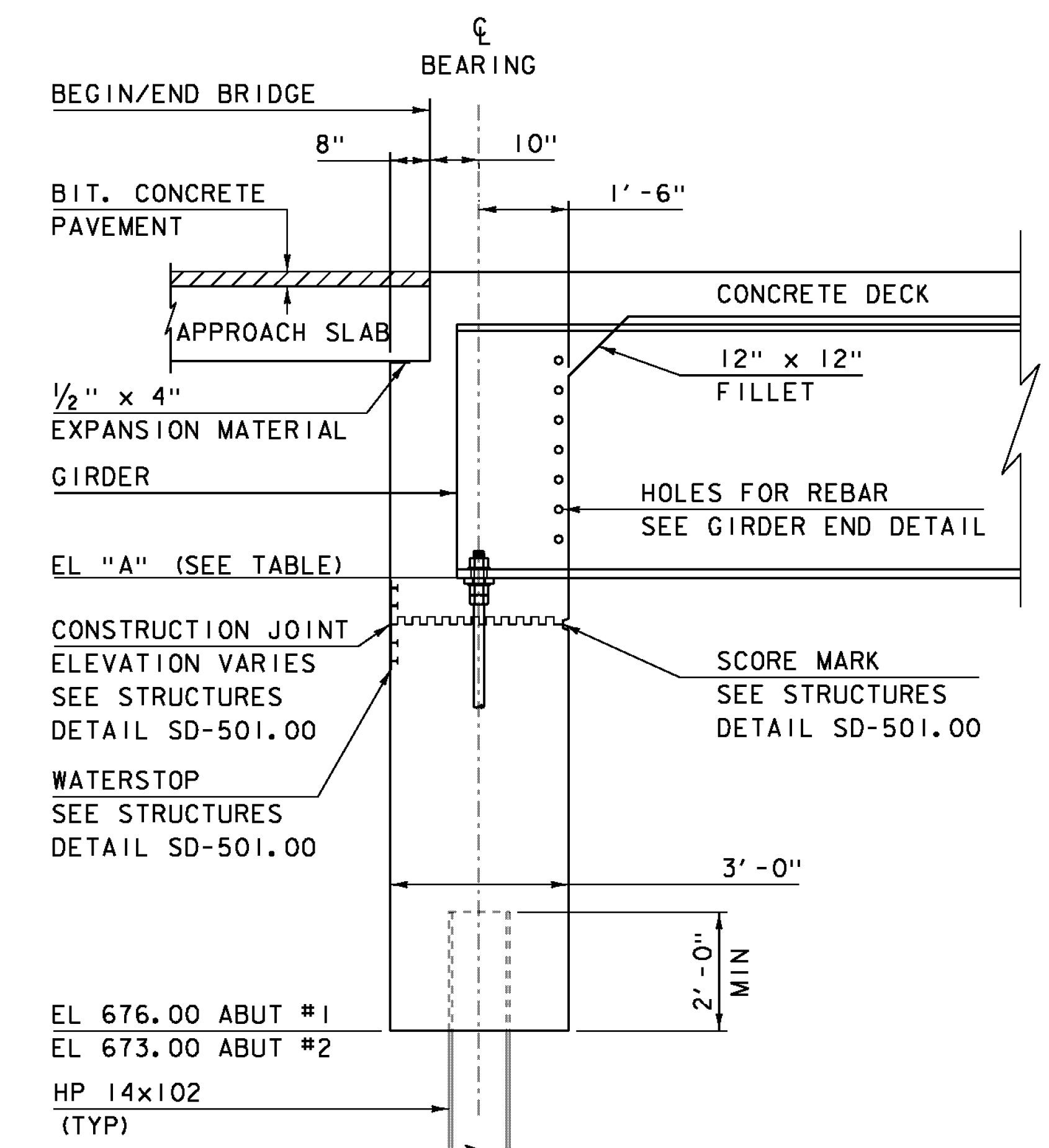


ABUTMENT I PLAN
SCALE 1/4" = 1'-0"



ABUTMENT I ELEVATION
SCALE 1/4" = 1'-0"



**BRIDGE END DETAIL
ABUTMENT TYPICAL SECTION**
SCALE 1/2" = 1'-0"

NOTES:

- 1. SEE ABUTMENT 2 SHEET FOR ABUTMENT REINFORCING.

NOTE:

NF = NEAR FACE
 FF = FAR FACE
 EF = EACH FACE
 ▲ = CUT TO FIT IN FIELD
 3" CLEAR, UNLESS OTHERWISE SPECIFIED ON THE PLANS.
 2'-2" BAR LAP UNLESS OTHERWISE SPECIFIED ON THE PLANS.

GIRDER ELEVATION TABLE

GIRDER NO.	ELEVATION "A"	
	ABUT 1	ABUT 2
1	683.24	679.40
2	683.64	679.80
3	684.04	680.20
4	684.43	680.59

PROJECT NAME: JAMAICA
 PROJECT NUMBER: ER-BRF 013-1(16)
 FILE NAME: s11b212sub.dgn
 PROJECT LEADER: VTRANS
 DESIGNED BY: K. KRETSCH
 ABUTMENT 1

PLOT DATE: 12-OCT-2012
 DRAWN BY: VTRANS
 CHECKED BY: G. GOODRICH
 SHEET 34 OF 85

