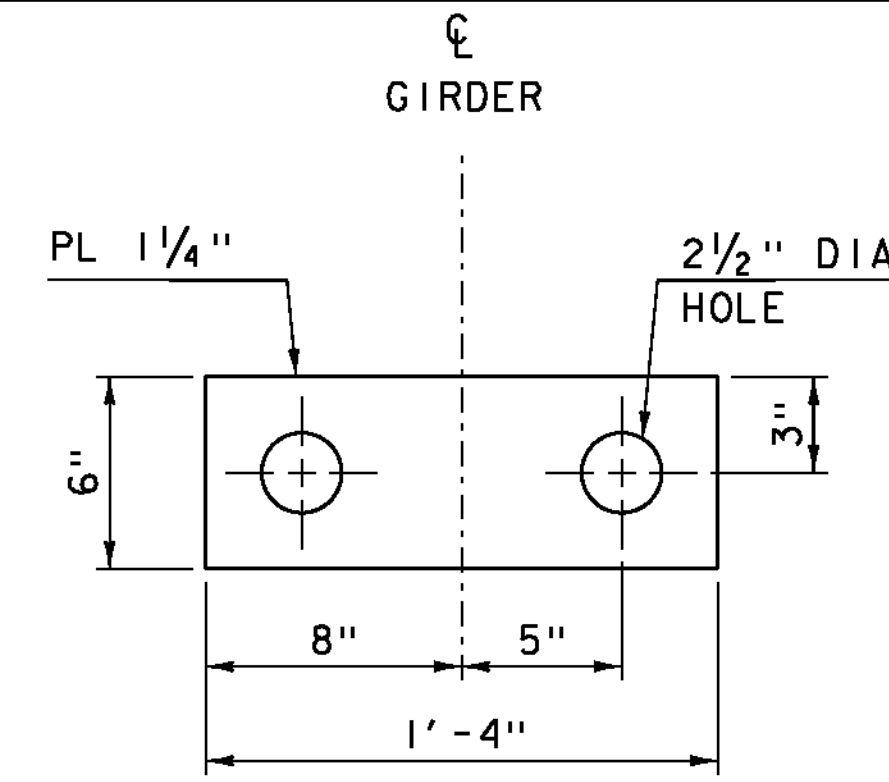
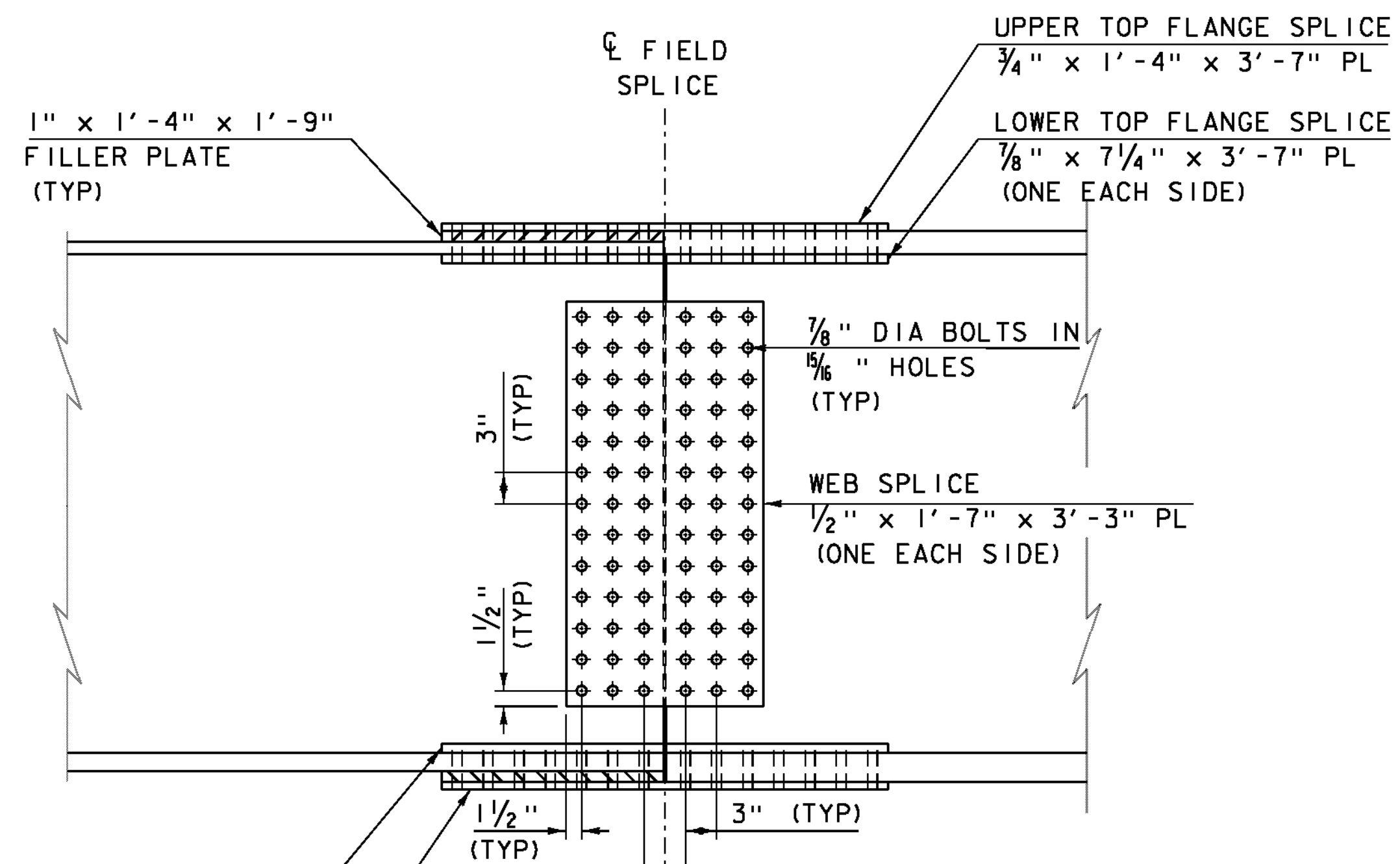


UPPER TOP FLANGE SPLICE
SCALE 1" = 1'-0"

NOTE:
LOWER TOP FLANGE SPLICE
SHALL BE SIMILIAR

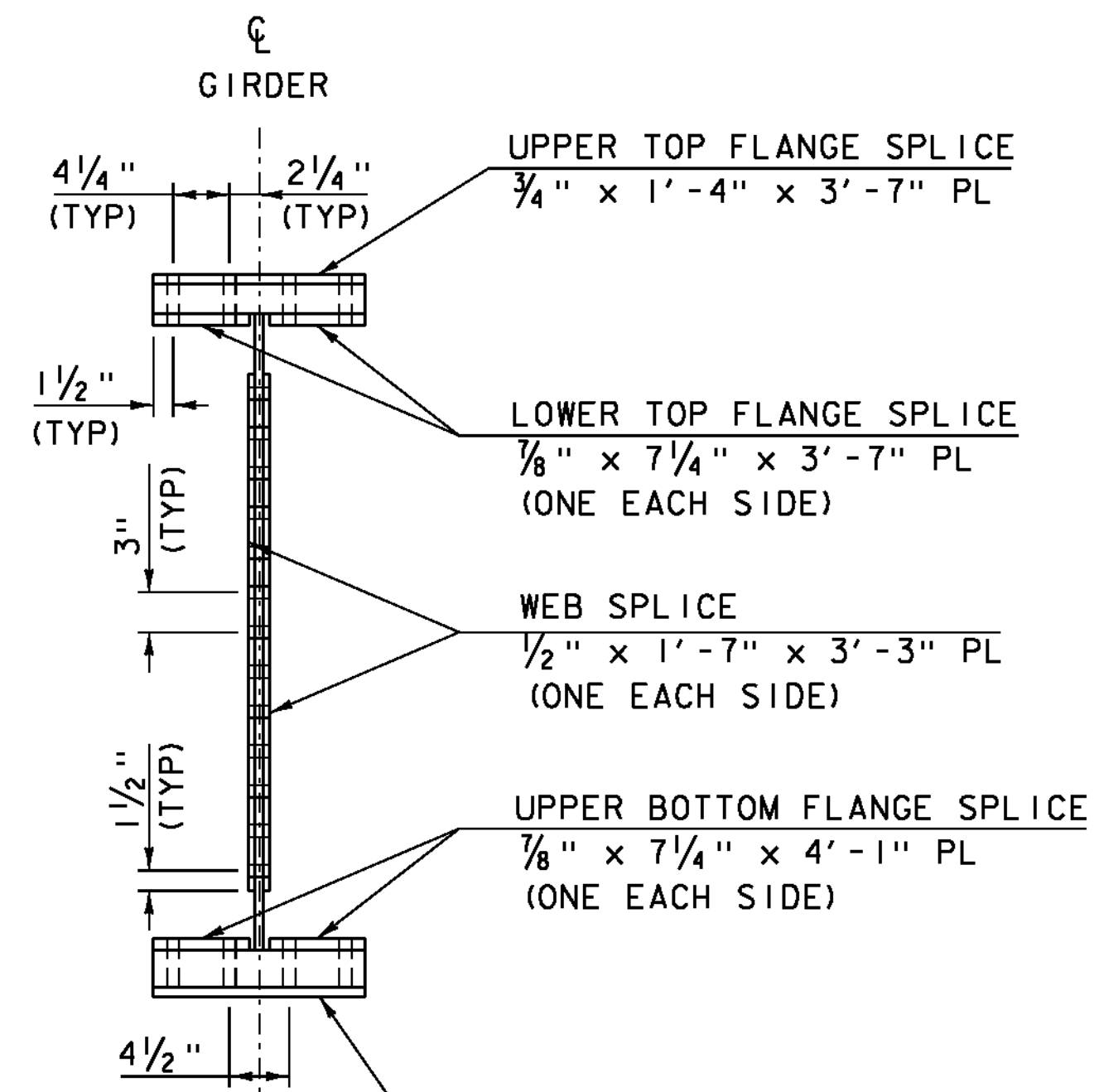


LEVELING PLATE
SCALE 1/2" = 1'-0"

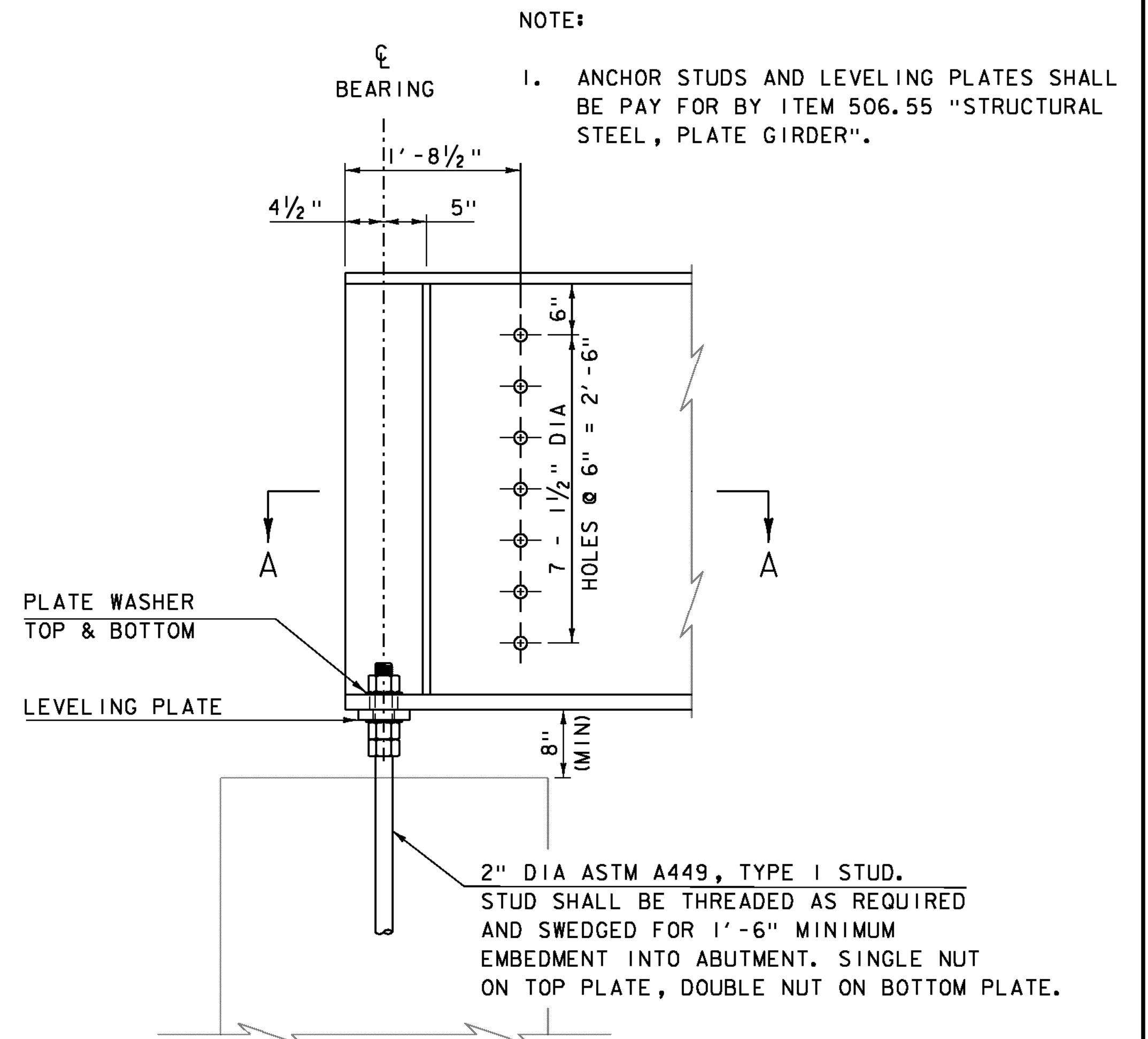


SPLICE ELEVATION
SCALE 1" = 1'-0"

UPPER BOTTOM FLANGE SPLICE
7/8" x 7 1/4" x 4'-1" PL
(ONE EACH SIDE)
LOWER BOTTOM FLANGE SPLICE
3/4" x 1'-4" x 4'-1" PL

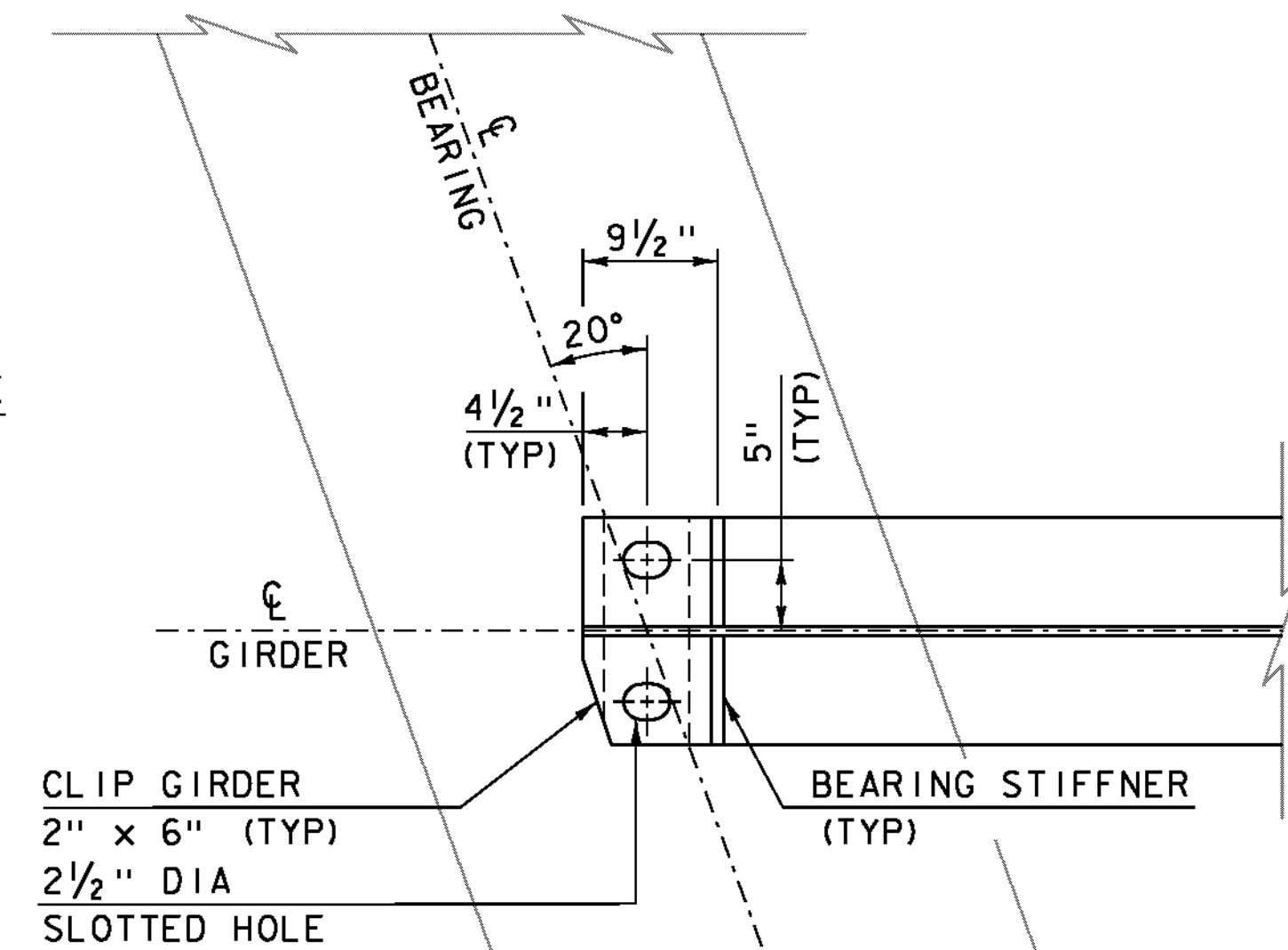


SPLICE SECTION
SCALE 1" = 1'-0"

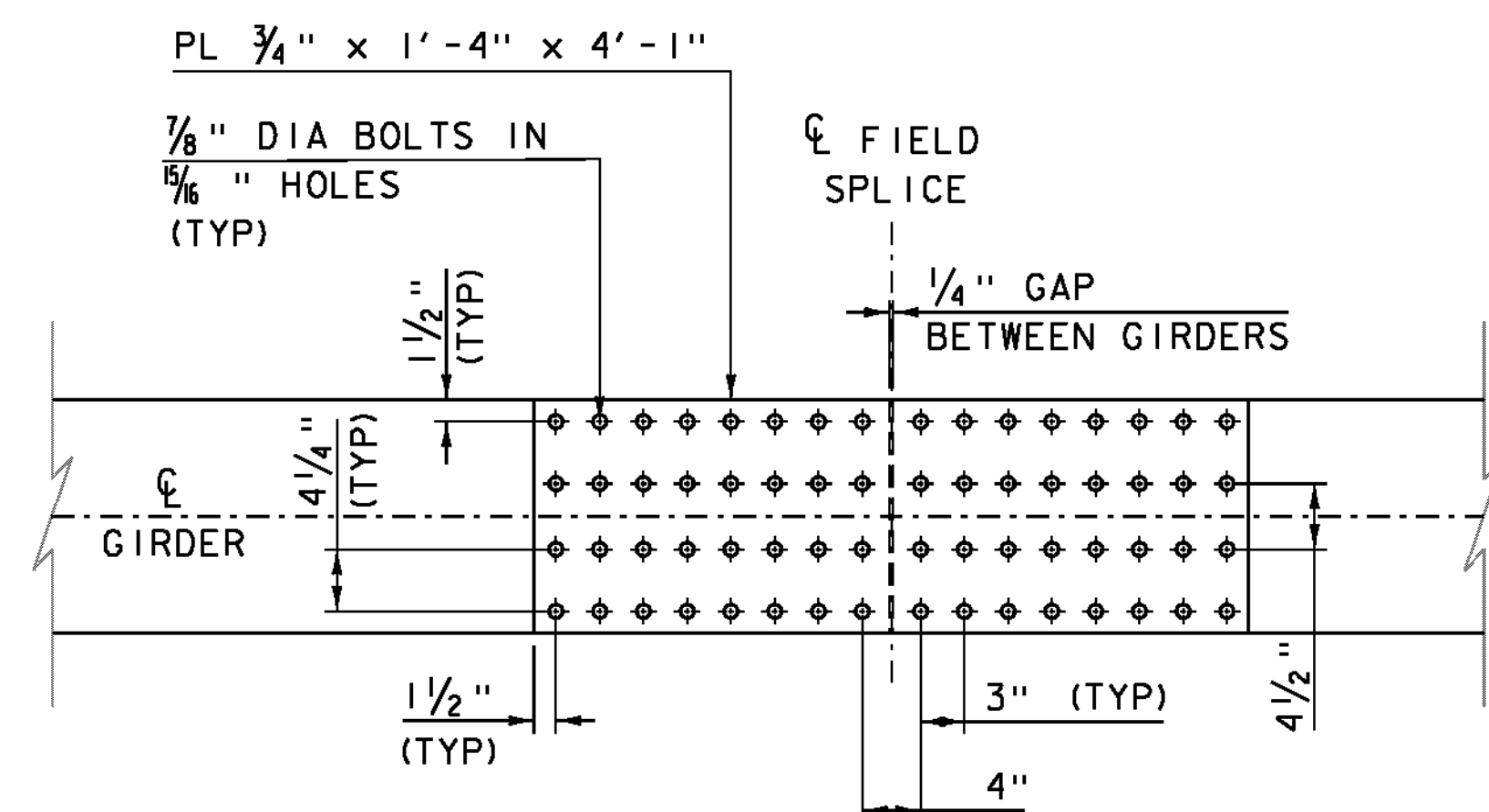


GIRDER END DETAIL
SCALE 1" = 1'-0"

NOTE:
1. ANCHOR STUDS AND LEVELING PLATES SHALL
BE PAY FOR BY ITEM 506.55 "STRUCTURAL
STEEL, PLATE GIRDER".



SECTION A-A
SCALE 1" = 1'-0"



LOWER BOTTOM FLANGE SPLICE
SCALE 1" = 1'-0"

NOTE:
UPPER BOTTOM FLANGE SPLICE
SHALL BE SIMILIAR



PROJECT NAME:	JAMAICA	PLOT DATE:	12-OCT-2012
PROJECT NUMBER:	ER-BRF 013-1(16)	DRAWN BY:	VTRANS
FILE NAME:	s11b212sup.dgn	CHECKED BY:	G. GOODRICH
PROJECT LEADER:	VTRANS	MISCELLANEOUS DETAILS:	1
DESIGNED BY:	K. KRETSCH	SHEET:	31 OF 85