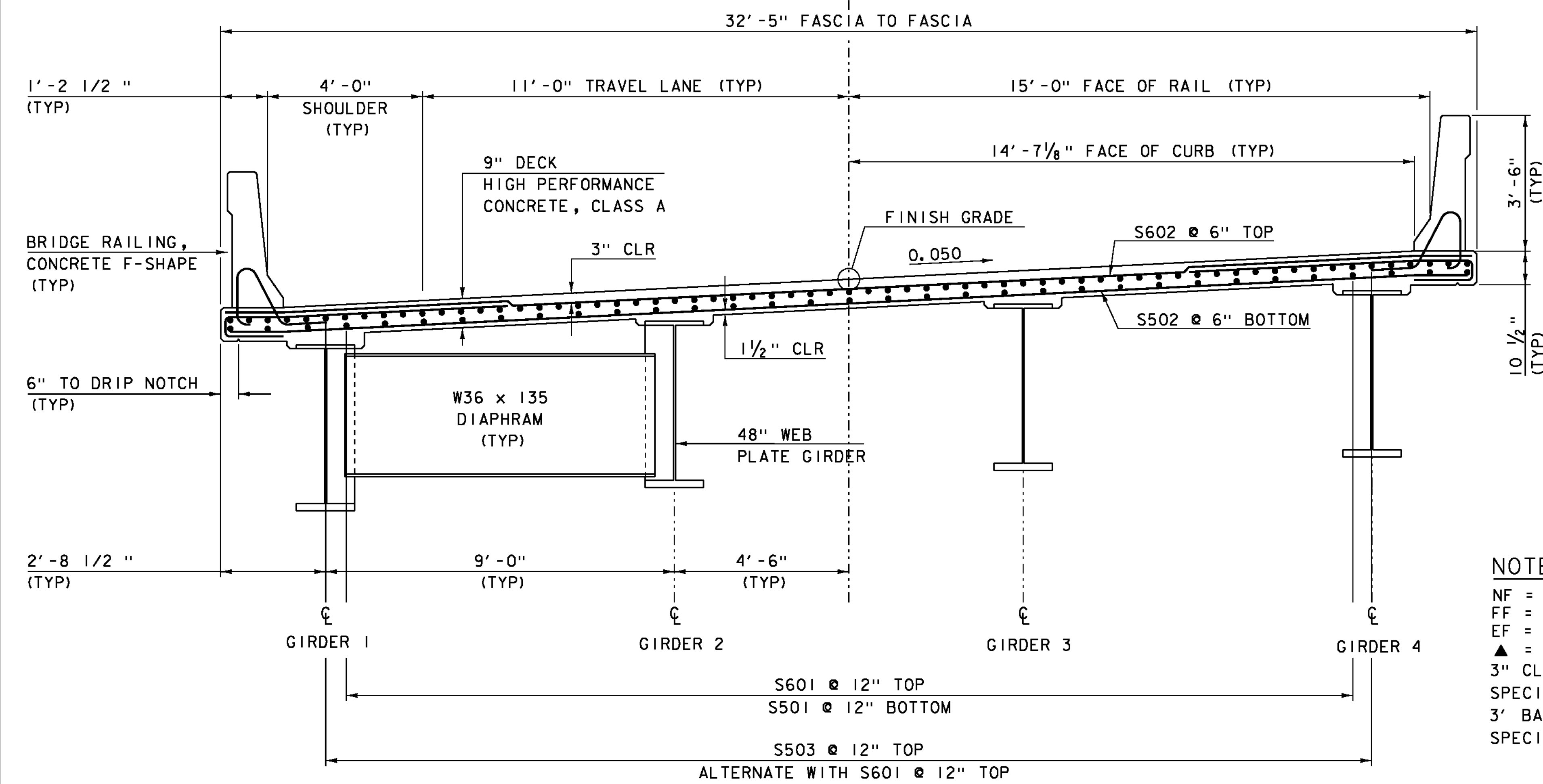
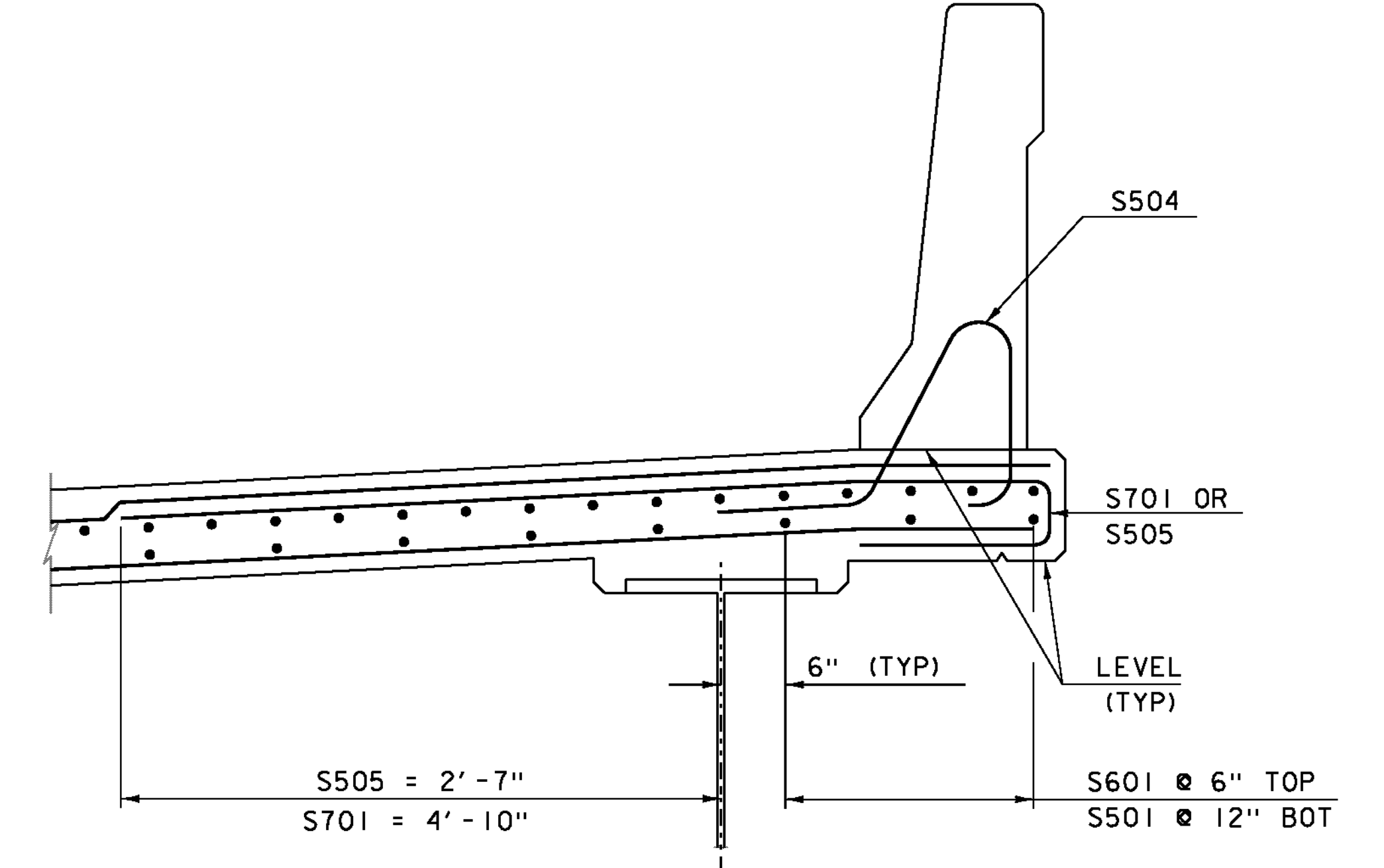


DECK REINFORCING
SCALE 1/8" = 1'-0"



TYPICAL DECK REINFORCEMENT
SCALE 1/2" = 1'-0"



TYPICAL OVERHANG REINFORCEMENT
SCALE 1" = 1'-0"

NOTE:
 NF = NEAR FACE
 FF = FAR FACE
 EF = EACH FACE
 ▲ = CUT TO FIT IN FIELD
 3" CLEAR, UNLESS OTHERWISE SPECIFIED ON THE PLANS.
 3' BAR LAP UNLESS OTHERWISE SPECIFIED ON THE PLANS.

NOTE:
 1. SEE PIER SUB CAP AND CAP REINFORCING SHEET FOR REINFORCING DETAILS OVER PIER.

PROJECT NAME:	JAMAICA	PLOT DATE:	12-OCT-2012
PROJECT NUMBER:	ER-BRF 013-1 (16)	DRAWN BY:	VTRANS
FILE NAME:	s11b212sup.dgn	CHECKED BY:	G. GOODRICH
PROJECT LEADER:	VTRANS	SHEET	29 OF 85
DESIGNED BY:	K. KRETSCH		
DECK PLAN			

