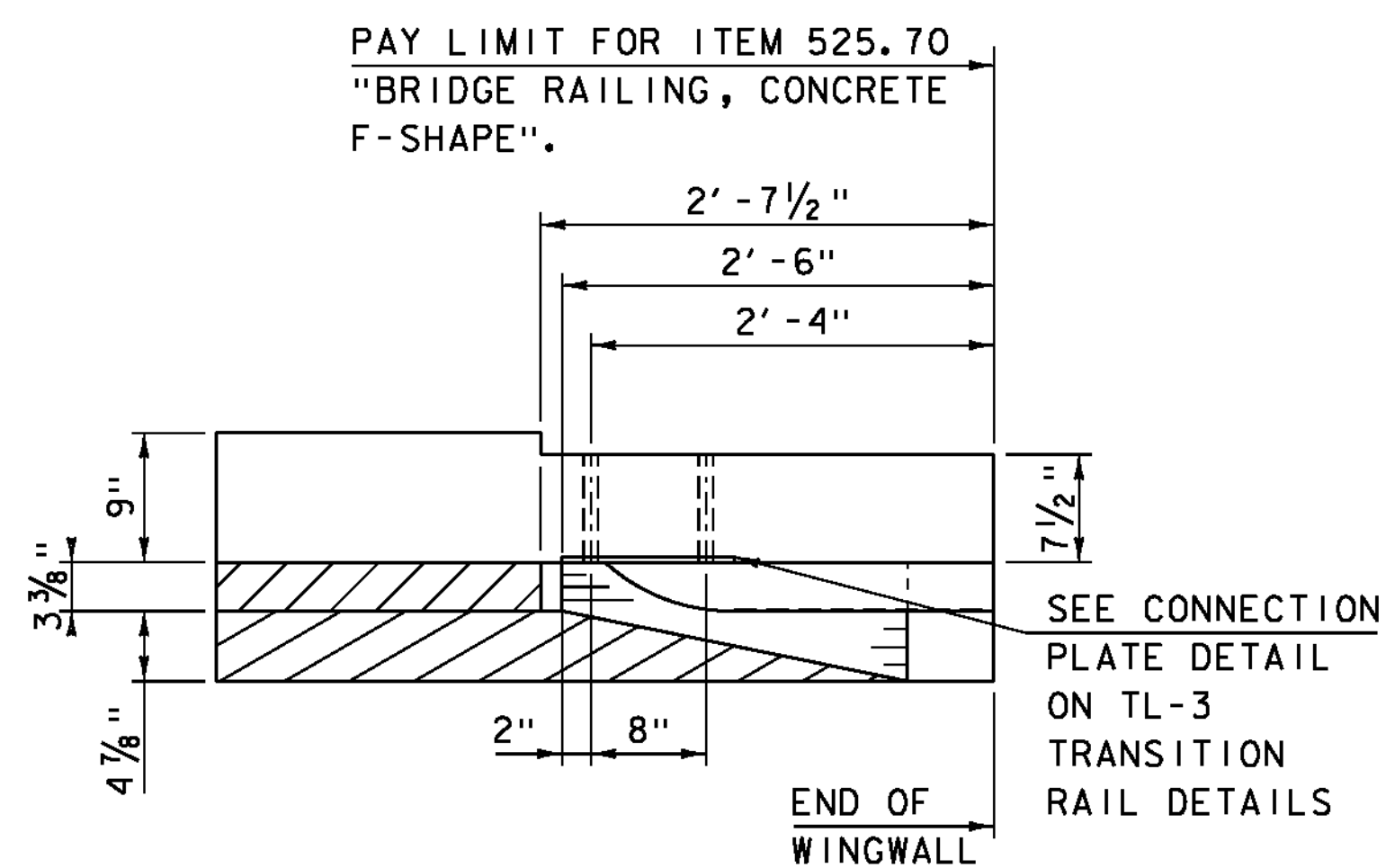
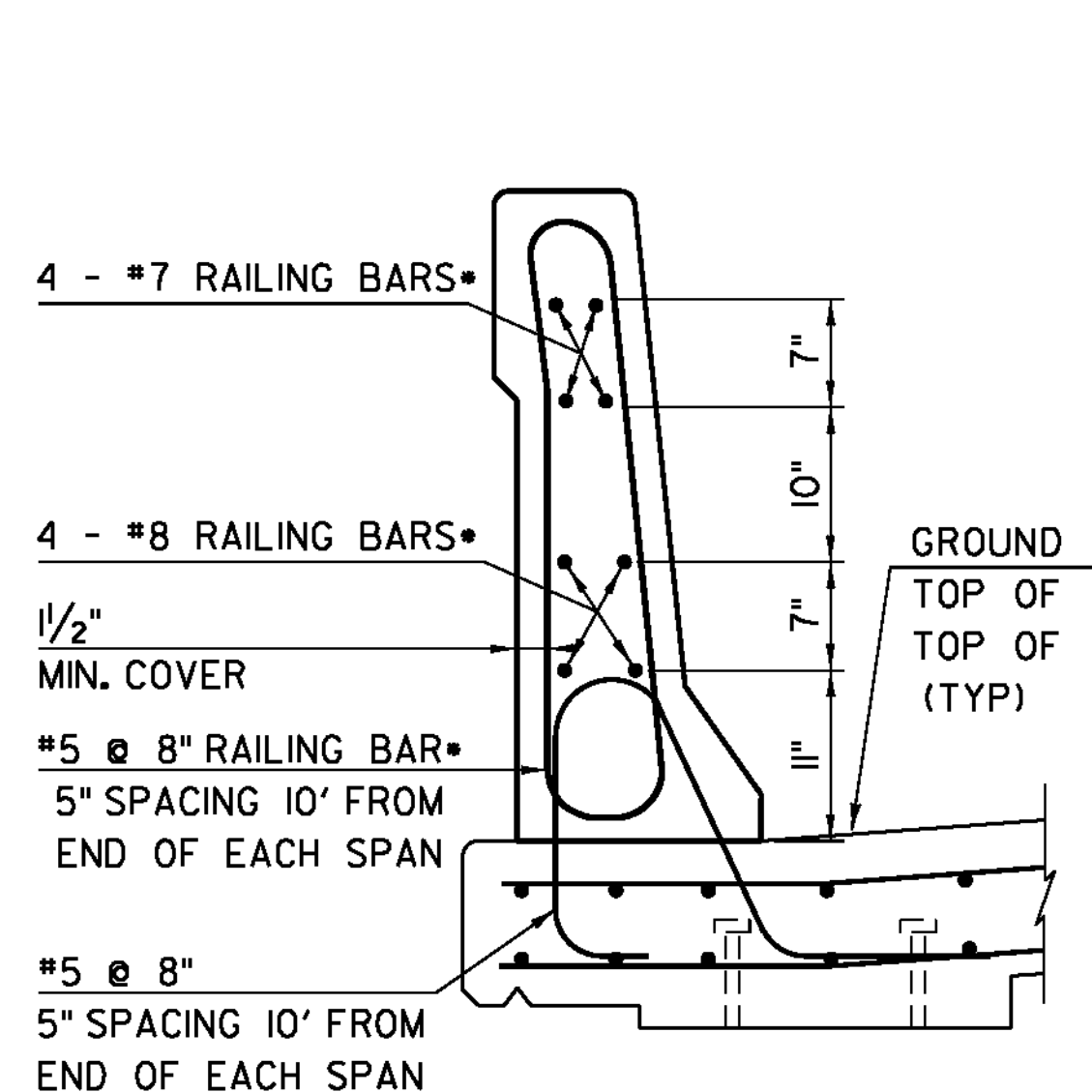


BRIDGE RAIL NOTES:

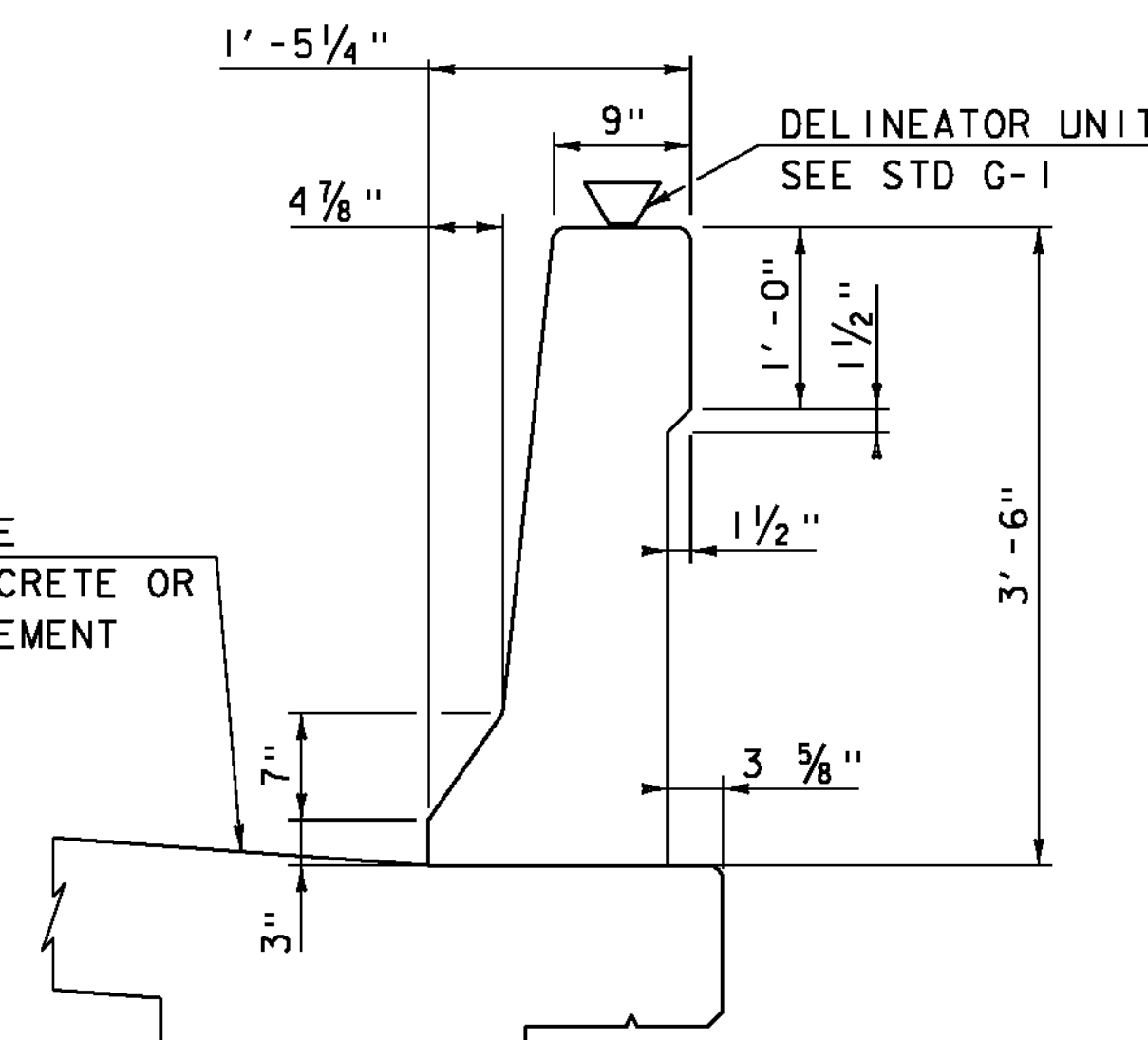
1. RAIL MEETS TL-5 TEST LEVEL REQUIREMENTS OF NCHRP REPORT 350.
2. 1/2" VEE JOINTS SHALL BE PROVIDED IN EACH FACE OF THE CONCRETE RAIL AT INTERVALS NOT TO EXCEED 20 FEET.
3. THE 1/2" VEE JOINT SHALL EXTEND DOWNWARD 30" FROM THE TOP OF THE CONCRETE RAIL.
4. A CONSTRUCTION JOINT SHALL BE FORMED AT SUPPORT LOCATIONS.
5. THE BAR BENDING DETAILS FOR THE REINFORCING STEEL FOR THE CONCRETE RAIL ARE SHOWN ON THIS SHEET. THE #7 AND #8 RAILING BARS SHALL BE CONTINUOUS THROUGH THE VEE JOINT FOR THE LENGTH OF EACH BRIDGE SPAN.
6. THE RAILING BARS SHALL BE INCIDENTAL TO THE RAILING ITEM.
7. ALL METAL PARTS SHALL BE GALVANIZED IN ACCORDANCE WITH AASHTO M-111. ALL FIELD ALTERATIONS TO GALVANIZED MEMBERS SHALL BE PAINTED WITH 2 COATS OF ZINC RICH PAINT (SUBSECTION 726.08).
8. ALL PERMANENTLY EXPOSED CONCRETE SHALL BE TREATED WITH WATER REPELLENT SILANE IN ACCORDANCE WITH SECTION 514.
9. ALL DELINEATORS AND ALUMINUM ANGLES SHALL BE INCIDENTAL TO THE RAILING ITEM
10. DELINEATORS SHALL BE EVENLY SPACED ACROSS THE ENTIRE LENGTH OF BRIDGE RAILING BUT NOT WITHIN 2' OF ANY JOINT OPENING NOR HAVE A SPACING GREATER THAN 30'.
11. DELINEATORS SHALL BE AMBER OR WHITE WITH AMBER ON THE MEDIAN SIDE.



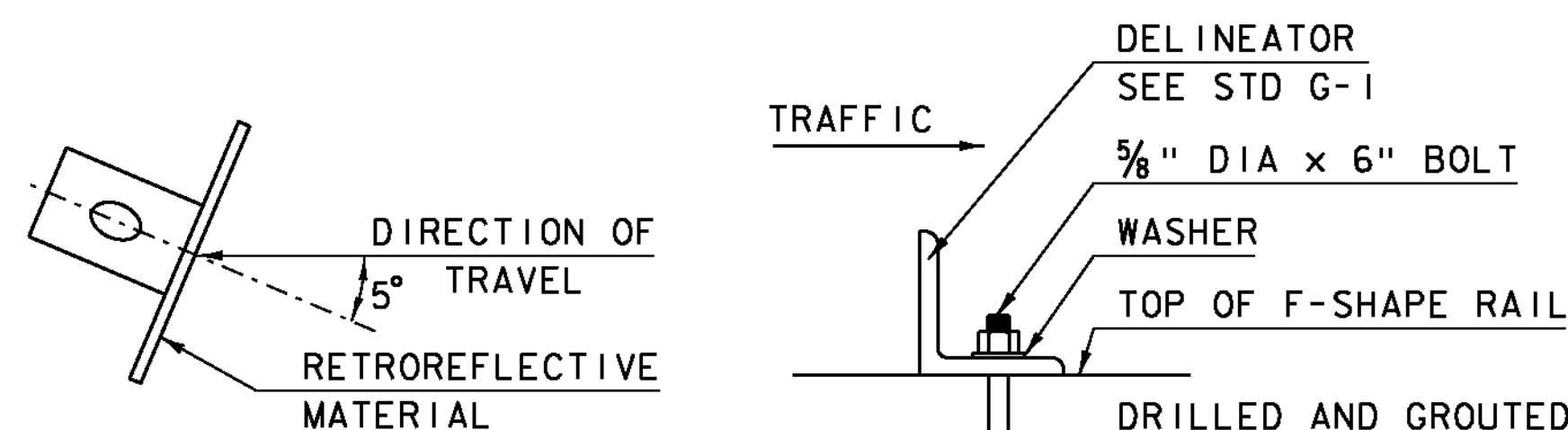
TL-5 F-SHAPE END OF RAIL PLAN
SCALE 1" = 1'-0"



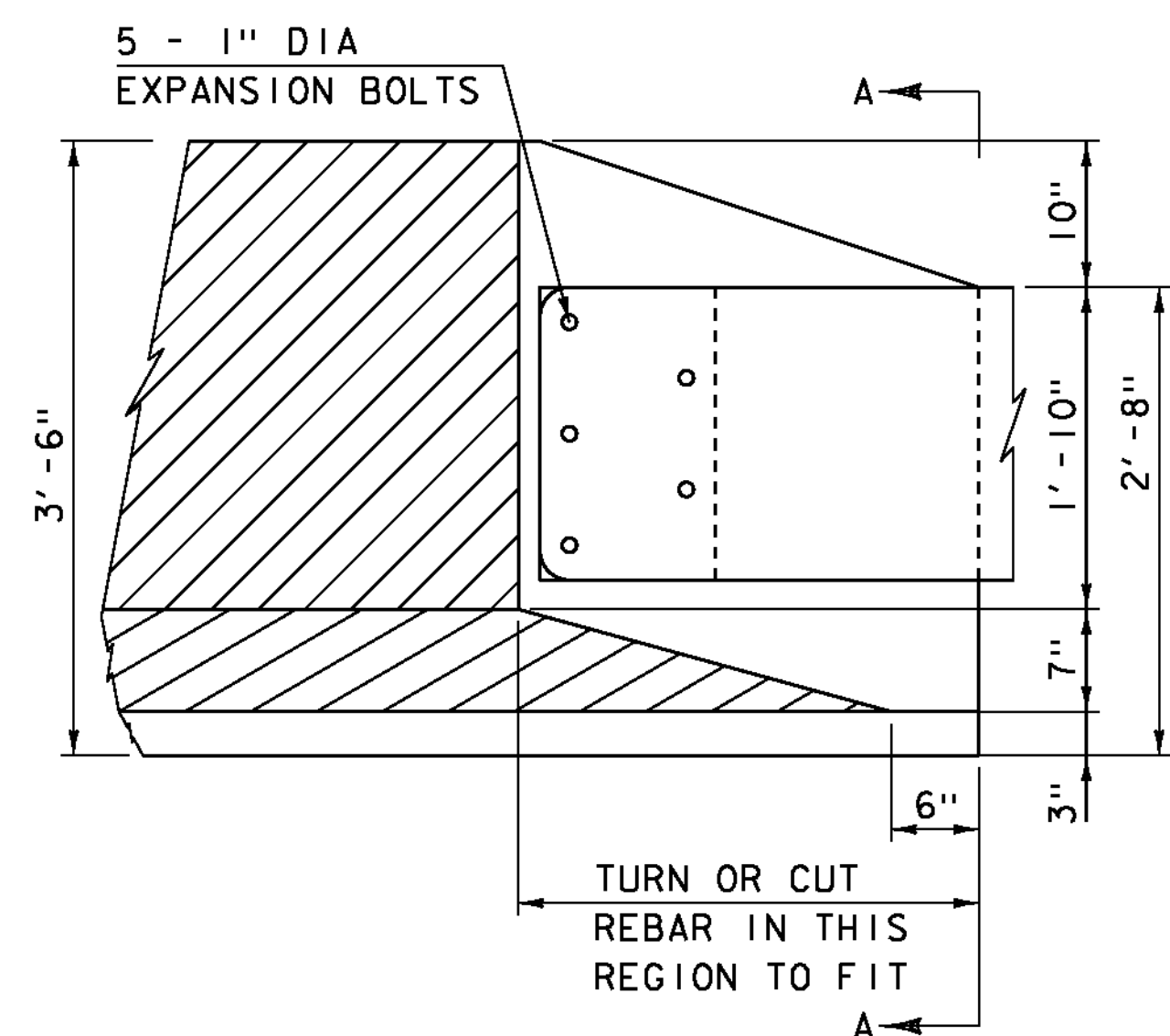
TL-5 F-SHAPE RAIL (SHOWING RAIL REINFORCEMENT)
SCALE 1" = 1'-0"



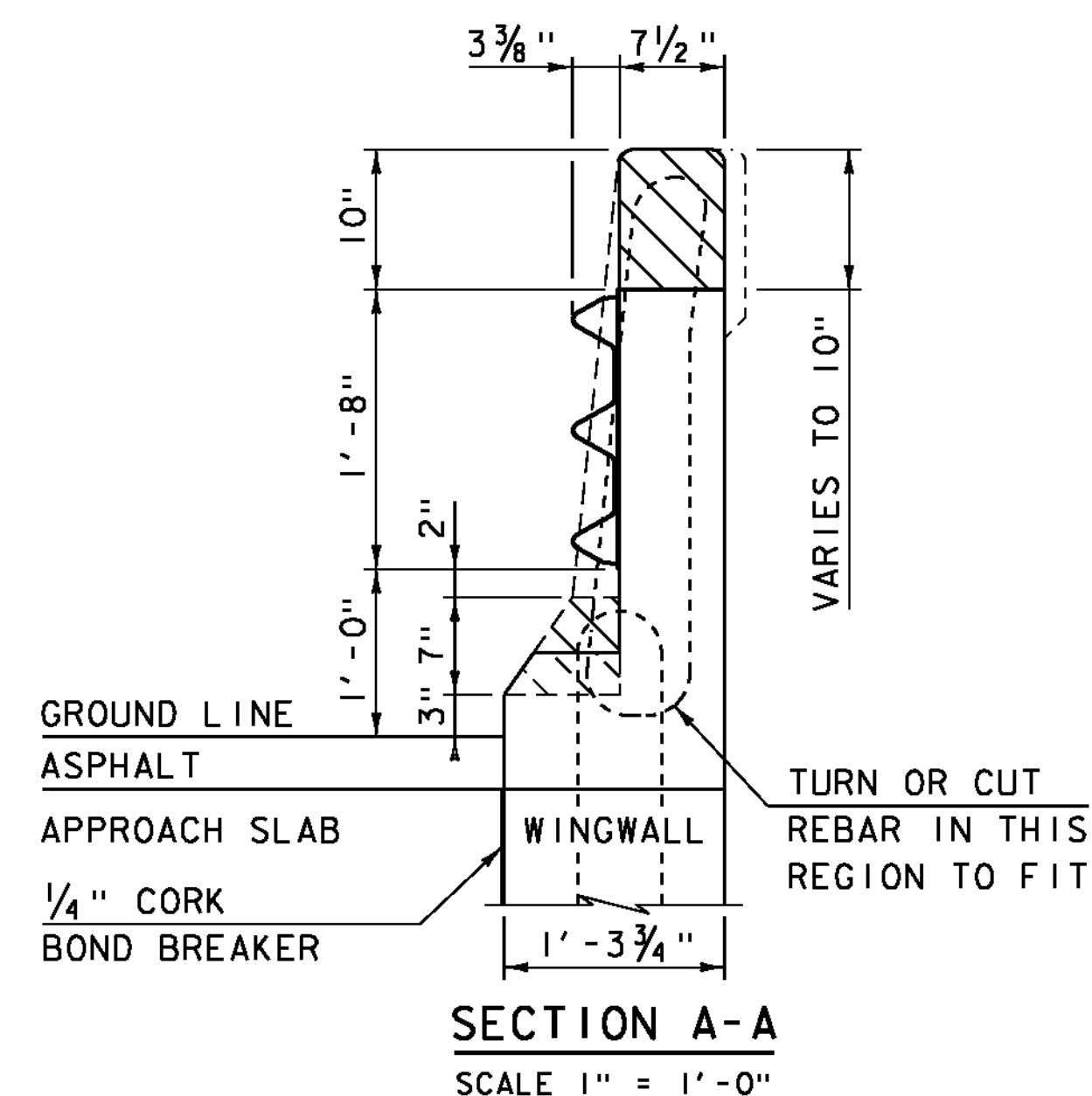
TL-5 F-SHAPE RAIL DETAIL ON BRIDGE
SCALE 1" = 1'-0"



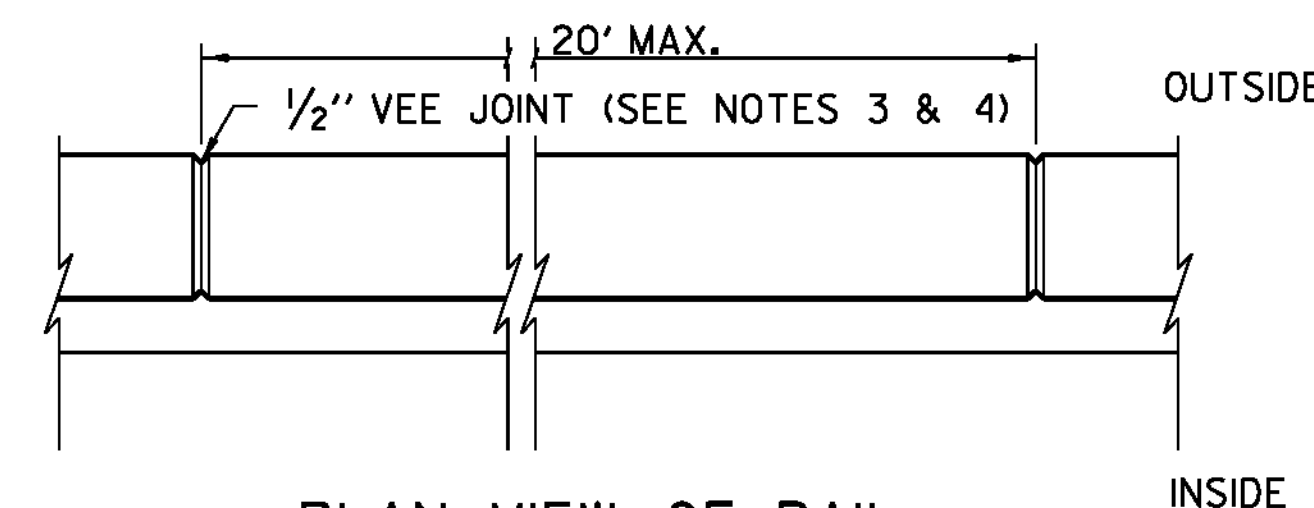
DELINEATOR MOUNTING DETAILS



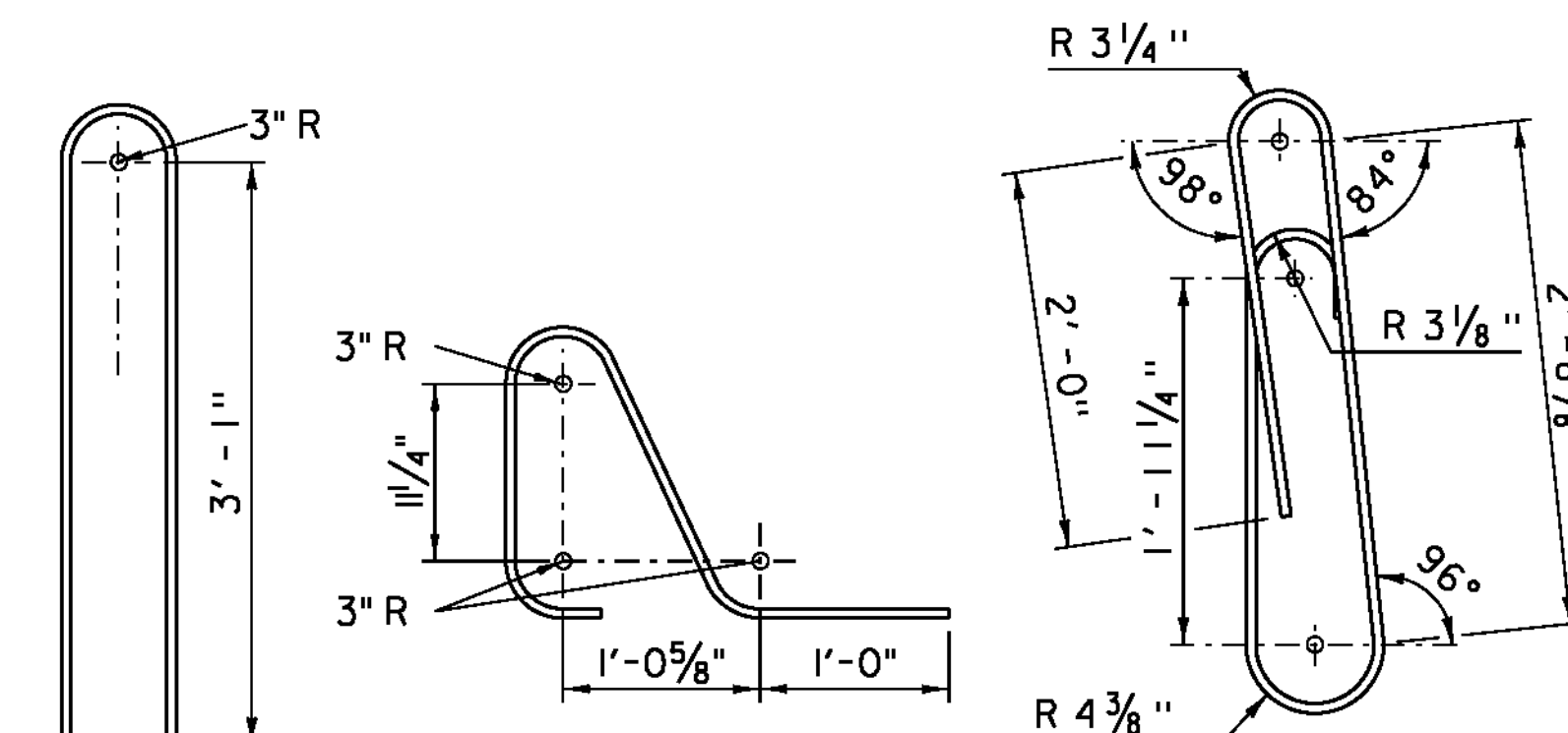
TL-5 F-SHAPE END OF RAIL ELEVATION
SCALE 1" = 1'-0"



SECTION A-A
SCALE 1" = 1'-0"



PLAN VIEW OF RAIL
N. T. S.



TL-5 BAR BENDING DETAIL

* THE RAILING BARS SHALL BE INCLUDED IN THE UNIT BID PRICE FOR CONTRACT ITEM 525.70 "BRIDGE RAILING, CONCRETE F-SHAPE".

PROJECT NAME: JAMAICA
PROJECT NUMBER: ER-BRF 013-1(16)

FILE NAME: s11b212r.dgn
PROJECT LEADER: K. HIGGINS
DESIGNED BY: VTRANS
BRIDGE RAILING, CONCRETE F-SHAPE

PLOT DATE: 23-OCT-2012
DRAWN BY: VTRANS
CHECKED BY: J. SALVATORI
SHEET 22 OF 85